

LG Commercial Laundry

2025

Parts

Master

Book



Written by : Living Appliance B2B QE Part

Page	Contents
4	Recommended Initial Parts
	F/L Washer & Dryer — — Priority Parts
	T/L Washer — — Priority Parts
Commercial Product Parts List	
North America	
6	F/L Washer — — Exploded View — Parts List
48	T/L Washer — — Exploded View — Parts List
54	Dryer — — Exploded View — Parts List
Parts Order Process & Warranty	
94	Warranty — — Warranty Card — Warranty Policy

Recommended Initial Parts

Parts List: Priority List (F/L Washer & Dryer)

PRIORITY CODES	
	LOW / INSTALLATION / one time, service, etc.
	COMMON PART - functional parts, easily resupplied from AI
	CRITICAL PART -
	UNIQUE CRITICAL PART - parts available from factory only (Commercial Exclusive parts)

Washer

Priority	Description	Loc #
	Display PCB	F110
	Main PCB	A450
	External Fuse	F121
	Pressure switch	A410
	Door switch	A440
Only up to Normal DD	Hall Sensor	K351
	Inlet valve (cold)	F160
	Inlet valve (hot)	F170
	Drain Pump	K340
	Stator	K350
	Harness,Multi	F120
	Harness,Multi	F140
	Harness,Multi	F130
	Line Filter Assembly	A485
	Hose,Inlet	A276
	Hose,Inlet	A275
	Gasket	K510
	Damper kit (3 each)	K610
	Pump housing & filter	K346
	Chamber,Air	K540
	Gasket spring clamp (outer)	A133
	dispenser drawer (complete)	F220
	Rotor	K360
	Leg Assembly	A220

Dryer

Priority	Description	Loc #
	PCB Assembly,Main	A130
	Display PCB/user interface	A120
	Thermistor,NTC	K550
	Belt,Poly V	K130
	Motor Assembly,AC,Fan	K610
	Pulley Assembly,Motor	K650
	Switch, Belt	K640
	Pulley,Idle	K651
	Thermostat	K560
	Roller Assembly (w/shaft)	K250
	Filter Assembly,Lint	K310
	Igniter	M160
	Roller Assembly	K251
	Lifter (drum vane)	K120
	Leg	A540
	Tube Assembly,Drum	K100
	Stacking kit	A900
	Cable Assembly	A601
	LP kit	M171



Recommended Initial Parts

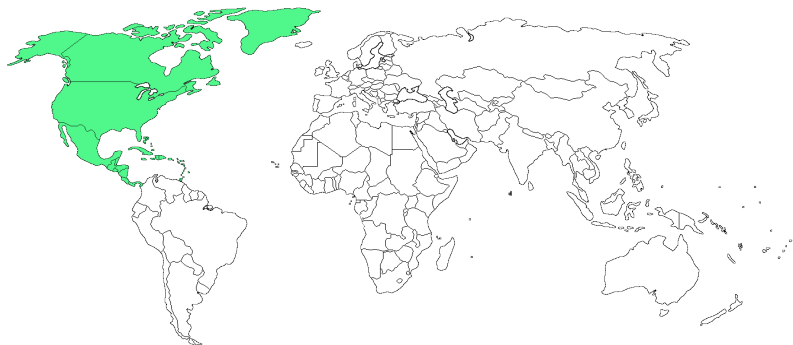
Parts List: Priority List (T/L Washer)

Priority	Loc NO	Description
High	A025	Damper,Lid
High	A061	PCB Assembly,Main
High	A062	PCB Assembly,Display
High	A180	Valve Assembly,Inlet
High	F080	Pump Assembly,Drain
Med	A021	Supporter,Lid
Med	A024	Screw_Customized
Med	A024	Screw_Customized
Med	A126	Cover,Guide
Med	A140	Switch Assembly
Med	A141	Switch Assembly,LID
Med	A240	Harness,Multi
Med	A241	Filter Assembly
Med	K000	Cover,Tub
Med	K100	Suspension Assembly
Med	K104	Damper Assembly,Friction
Med	K140	Bellows Assembly
Med	K150	Sensor Assembly
Med	K170	Housing Assembly,Clutch Coupling
Med	K250	Harness,Multi

Priority	Loc NO	Description
Low	A011	Panel,Rear
Low	A020	Lid,Out
Low	A022	Hinge Assembly
Low	A023	Hinge Assembly
Low	A026	Cap,Hinge
Low	A030	Cap,Screw
Low	A040	Screw,Customized
Low	A050	Panel Assembly,Control
Low	A063	Cover,Protect
Low	A100	Cover,Top
Low	A105	Case
Low	A125	Cover,Guide
Low	A150	Box,Detergent
Low	A157	Nozzle Assembly
Low	A183	Connector Assembly
Low	A186	Hose,Inlet
Low	A190	Housing Assembly,Detergent
Low	A200	Switch Assembly,Sensor
Low	A201	Tube,Switch
Low	A202	Clamp
Low	A203	Holder
Low	A230	Power Cord Assembly
Low	A270	Hose,Inlet
Low	A271	Hose,Inlet
Low	F000	Cabinet Assembly
Low	F011	Holder Assembly
Low	F020	Base Assembly,Cabinet
Low	F023	Damper
Low	F027	Leg Assembly
Low	F032	Holder
Low	F033	Holder
Low	F070	Cover,Rear
Low	F071	Cover,Front
Low	F072	Guide,Cover
Low	F086	Harness,Single
Low	F090	Connector,Drain Hose
Low	F100	Hose Assembly,Drain
Low	F468	Clamp,Hose
Low	K012	Cap Assembly,Pulsator
Low	K020	Pulsator Assembly
Low	K021	Screw,Customized
Low	K030	Washer,Common
Low	K040	Nut,Common
Low	K040	Nut,Common
Low	K050	Washer,Common
Low	K060	Tub Assembly,Inner
Low	K200	Stator Assembly,Combined
Low	K201	Rotor Assembly,Combined
Low	K210	Bolt,Common
Low	K230	Motor Assembly,DC,Clutch
Low	K300	Nut,Common
Low	K305	Washer,Common



North America



Country Suffix: EELC

Energy Rating: 120V/60Hz

Product	Project Name	Buyer Model	Factory Model
Washer	Giant-C	GCW1069***	F1069FD*
	Giant-C Plus (Normal DD)	GCWP1069**2	F1069FD*P
	Giant-C Plus (Post DD)	GCWP1069**3(S/Silver) / GCWP1069**1(white)	FH069FD*P
	Giant-C Pro	GCWF1069**3(S/Silver) / GCWF1069**1(white)	FH069FD*F
	Giant-C Fast	GCWL1069**3(S/Silver) GCWL1069**1(white)	FH069FD*L
	Giant-C Fast Wi-Fi 1.0	GCWL1069**5	FH069FD*W
	Giant-C Max Wi-Fi 2.0	GCWM1069**7	FH069FD*M
	Titan-C (Gravity Drain)	TCW2013**2	FH0C7FD*
	Titan-C (Pump Drain)	TCW2013**1	FH0C7FD*1
	Titan-C Max	TCWM2013**3	FH0C7FD*M
Tethys-C (Top Loader)	CTD27TS*RW	T1001E*J	
Dryer	Giant-C	GD1329***2(S/Silver) GD1329****(White)	R*1329****
	Giant-C Plus (Gas/Elec)	GDP1329***2	R*1329***P
	Giant-C Pro Wi-Fi 1.0	GDL1329***3	R*1329***L
	Giant-C Pro Wi-Fi 2.0	GDL1329***7	R*1329***T
	Titan-C	TCD1870*G*	RN1870A**
	Light Titan-C Gas	TLD1840CG*	RN1840CD*
	Light Titan-C Elec	TLD1840CE*	RV1840CD*

 : New Models (**Bold** : Main models)

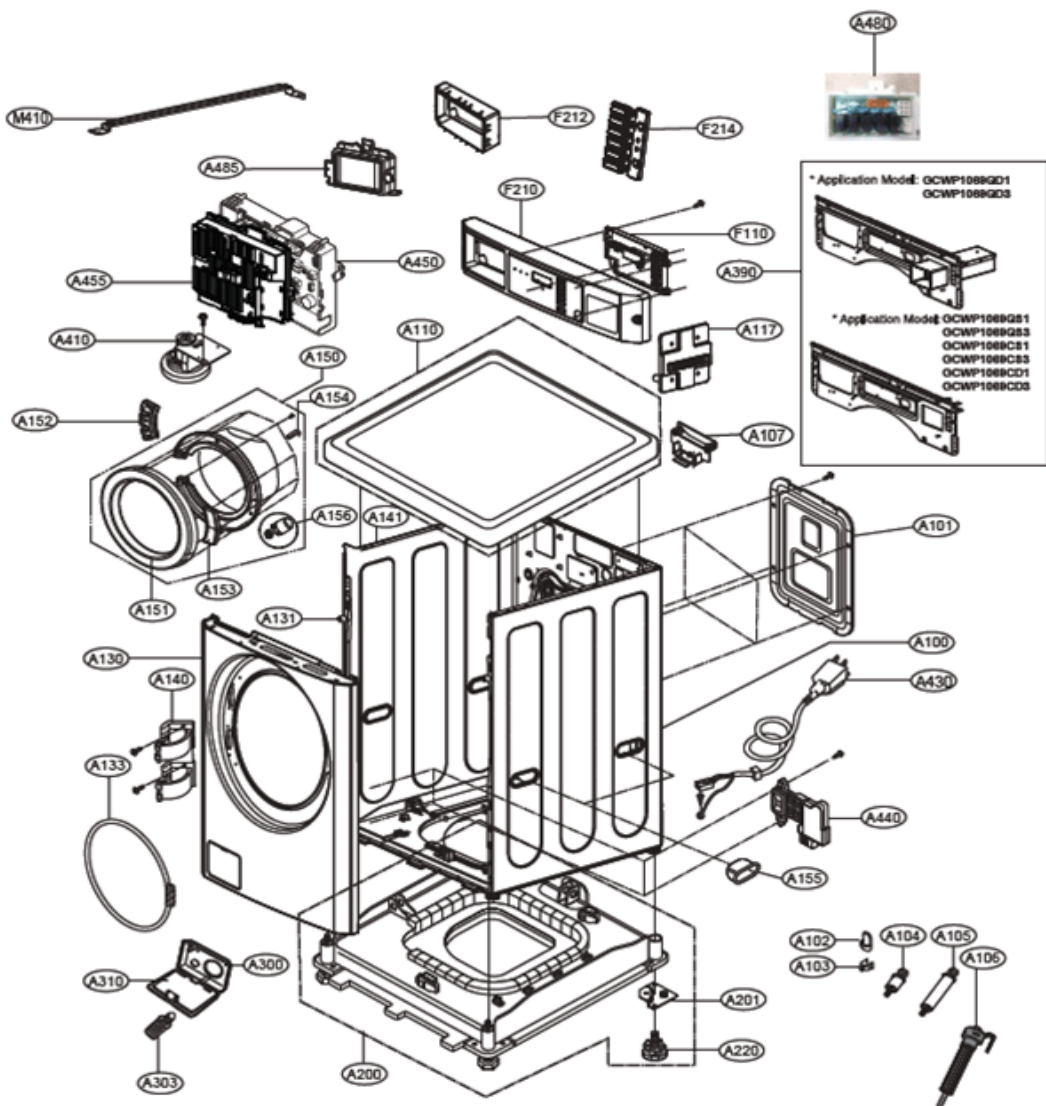


Washer



Giant-C Pro (FH069FD*F/GCWF1069***)

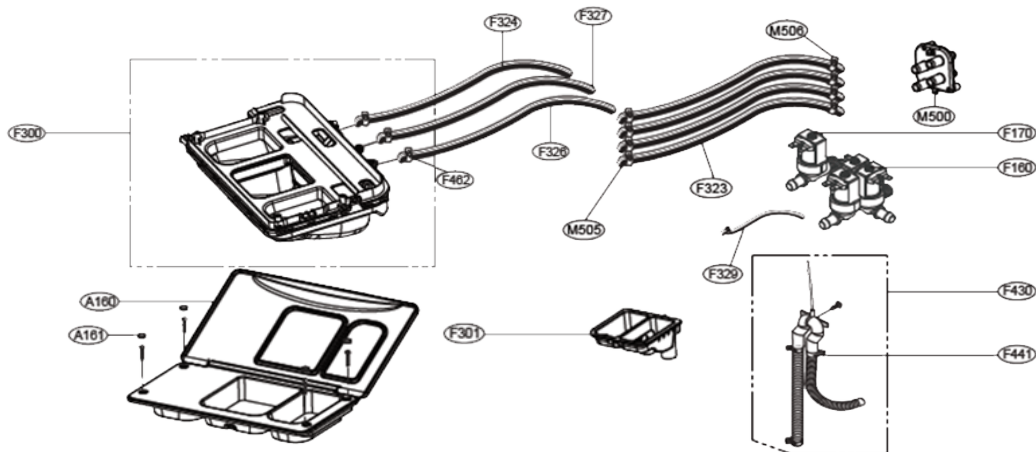
CABINET & CONTROL PANEL ASSEMBLY



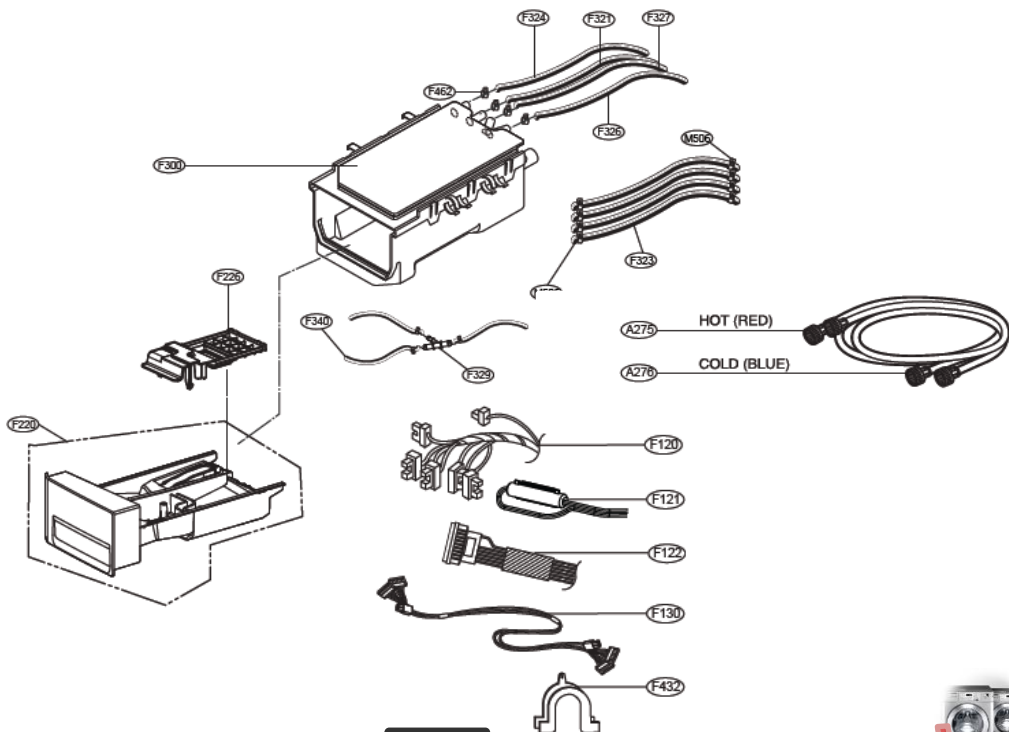
Parts List: Washer Exploded View

Giant-C Pro (FH069FD*F/GCWF1069***)

DISPENSER ASSEMBLY (FOR SINGLE MODEL)



DISPENSER ASSEMBLY (FOR STACK MODEL)



Commercial Product Parts List

Parts List: Washer

Base Model Giant-C Pro (FH069FDF.ASSEELC/GCWF1069QD3)

Description	Part Name	SVC Loc
Hose,Inlet	5215FD3715U	*001
Box,Carton	MAY67495001	*002
Spanner	3W20018B	*003
Cabinet Assembly	ABJ30921782	A100
Cover,Rear	3550ER1028A	A101
Bush	4830ER3001A	A102
Holder	4930ER3014A	A103
Bolt Assembly	FAA31690704	A104
Bolt Assembly	FAA31690703	A105
Bolt Assembly	FAA31690705	A106
Bracket,Hinge	4810ER3024A	A107
Plate Assembly,Top	AGU30071271	A110
Cover,Cabinet	3550ER0045E	A130
Holder Assembly	AEJ33026601	A131
Clamp Assembly	2W20017E	A133
Hinge Assembly	4775ER2002E	A140
Holder Assembly	AEJ33026401	A141
Door Assembly	ADC73648401	A150
Frame,Door(Outer)	3212ER0005A	A151
Frame,Door(Inner)	3212ER1016A	A152
Handle	3650ER2004A	A153
Locker,Hook	MFG62579001	A154
Handle	3650FA3489A	A155
Parts Assembly	AGM73610702	A156
Base Assembly,Cabinet	3041ER0001C	A200
Bracket,Base	4810ER3006A	A201
Leg Assembly	AFC72755401	A220
Hose,Inlet	5215FD3715V	A275
Hanger Assembly,Pivot	3W50712A	A276
Case	3110ER2016A	A300
Cap,Drain Hose	5006ER3009A	A303
Cap,Cover	5006ER2012G	A310
Frame Assembly	3211ER1001J	A390
Switch Assembly,Pressure	6601ER1006G	A410
Power Cord Assembly	6411ER1006V	A430
Switch Assembly,Locker	EBF61315802	A440
PCB Assembly,Main	EBR81121312	A450
Cover,Protect	3550ER1032A	A455
PCB Assembly,Sub	EBR81083402	A480
Filter Assembly	EAM62891002	A485

Description	Part Name	SVC Loc
PCB Assembly,Display	EBR83442802	F110
Harness,Multi	6877ER1047X	F120
Harness,Single	6877ER3003X	F121
Harness,Single	6877ER3003V	F122
Harness,Multi	6850EC2007H	F130
Harness,Multi	6877ER1016N	F140
Harness,Single	6877ER3003B	F145
Valve Assembly,Inlet	5221ER1003A	F160
Valve Assembly,Inlet	5220FR2006H	F170
Panel Assembly,Control	AGL75092820	F210
Guide,Cover	MEA61973302	F212
Button,Control	MBG62329501	F214
Panel Assembly,Drawer	AGL73137009	F220
Cap,Siphone	MBL62620901	F226
Dispenser Assembly	4925ER1021B	F300
Bellows	4738ER1004A	F310
Bellows	4738ER2002A	F315
Hose,Inlet	5214ER4003Z	F323
Hose,Inlet	5214ER4001B	F324
Hose,Inlet	5214ER4001R	F327
Connector,Hose	4932ER4008B	F329
Hose,Inlet	5214ER4003F	F340
Hose,Connector	MEJ62484601	F360
Hose,Connector	MEJ62484602	F365
Hose Assembly,Drain	5215ER2002G	F430
Manual,Service	MFL68921819	F432
Clamp	4861FR3068C	F441
Clamp	4861FR3068E	F461
Clamp	4861FR3068A	F462
Clamp	4860FR3092D	F463
Clamp	4860FR3092C	F464
Clamp	4860FR3092K	F464
Clamp	4860FR3092H	F465
Clamp	4861FR3068E	F468
Tub Assembly,Outer	AJQ73413811	K105
Tub Assembly,Drum(Inner)	3045ER1017L	K110
Lifter Assembly	AFH72909001	K111
Spider	4434ER0002J	K115
Bolt,Common	4011FA4335E	K117
Bearing,Ball	MAP61913708	K121

Description	Part Name	SVC Loc
Bearing,Ball	MAP61913707	K122
Bolt Assembly	4040FR4051C	K123
Gasket	4036ER2004A	K125
Balance Weight	4866ER0007A	K130
Screw,Customized	15Z7ER4002A	K131
Balance Weight	4866ER0004A	K135
Cover,Tub	3550ER0004H	K140
Gasket	4036ER4001B	K141
Parts Assembly	383EER3001W	K142
Bolt,Common	4011FA4335B	K143
Float Assembly	4769ER4001B	K190
Heater Assembly	AEG33121501	K320
Heater Assembly	AEG33121528	K320
Motor Assembly,AC,Pump	4681EA2001T	K340
Hose,Connector	5214FR4006G	K342
Casing,Pump	3108ER1001E	K344
Motor Assembly,AC,Pump	EAU61383503	K345
Parts Assembly	383EER2001A	K346
Stator Assembly	AJB73816004	K350
Rotor Assembly	AHL72914402	K360
Bush,Rotor	MBF62845101	K361
Spring,Hinge	4970FR2084P	K410
Holder	4930FR3040A	K411
Gasket	4986ER0004L	K510
Connector,Nozzle	MCD62387102	K512
Guide,Water	4974ER3008A	K516
Bellows	4738ER1002A	K520
Clamp Assembly	4861ER2001D	K530
Clamp Assembly	4861ER2001F	K530
Chamber,Air	3504ER3002A	K540
Hose,Inlet	5214FR4125N	K550
Hose,Connector	5214FR4058Y	K570
Connector,Hose	4932ER4007B	K571
Clamp	4861FR3068A	K572
Parts Assembly	383EER3001J	K610
Hinge	4774FR3118B	K611
Frame,Body	MDQ63616301	M410
Connector,Hose	MCD63787601	M500
Clamp	4861FR3068P	M505
Clamp	4861FR3068K	M506



Commercial Product Parts List

Parts List: Giant-C Plus Variations (Silver)

Base Model Giant-C Pro (FH069FDF.ASSEELC/GCWF1069QD3)

※ Apart from the variation parts, other parts are identical to the Base Model.

Giant-C Plus Silver Variations (FH069FD7P.ASSEELC/GCWP1069CS3)

Description	Part Name	SVC Loc
Cabinet Assembly	ABJ30921774	A100
Plate Assembly,Top	AGU30071279	A110
Cover,Guide	MCK62998501	A117
Lid Assembly	AFG73189701	A160
Cap,Screw	MBL65796901	A161
Frame Assembly	3211ER1001S	A390
PCB Assembly,Main	EBR81121307	A450
Filter Assembly	EAM62891001	A485
PCB Assembly,Display	EBR64458135	F110
Harness,Multi	6877ER1047V	F120
Panel Assembly,Control	AGL75092825	F210
Dispenser Assembly	ACZ55907501	F300
Hose,Inlet	5214ER4001A	F326
Hose,Connector	5214FR4058D	F329
Frame,Body	MDQ63560502	M410

Giant-C Plus Silver Variations (FH069FD4P.ASSEELC/GCWP1069QS3)

Description	Part Name	SVC Loc
Cabinet Assembly	ABJ30921774	A100
Plate Assembly,Top	AGU30071278	A110
Lid Assembly	AFG73189701	A160
Cap,Screw	MBL65796901	A161
Frame Assembly	3211ER1001S	A390
PCB Assembly,Main	EBR81121307	A450
Filter Assembly	EAM62891001	A485
PCB Assembly,Display	EBR64458135	F110
Harness,Multi	6877ER1047V	F120
Panel Assembly,Control	AGL75092824	F210
Dispenser Assembly	ACZ55907501	F300
Box Assembly,Detergent	AAZ68565002	F301
Hose,Inlet	5214ER4001A	F326
Hose,Connector	5214FR4058D	F329
Frame,Body	MDQ63560502	M410

Giant-C Plus Silver Variations (FH069FDP.ASSEELC/GCWP1069QD3)

Description	Part Name	SVC Loc
Cabinet Assembly	ABJ30921774	A100
PCB Assembly,Main	EBR81121307	A450
Filter Assembly	EAM62891001	A485
PCB Assembly,Display	EBR64458134	F110
Harness,Multi	6877ER1047V	F120
Dispenser Assembly	4925ER1021A	F300

Giant-C Plus Silver Variations (FH069FD6P.ASSEELC/GCWP1069CD3)

Description	Part Name	SVC Loc
Cabinet Assembly	ABJ30921774	A100
Cover,Guide	MCK62998501	A117
Frame Assembly	3211ER1001S	A390
PCB Assembly,Main	EBR81121307	A450
Filter Assembly	EAM62891001	A485
PCB Assembly,Display	EBR64458134	F110
Harness,Multi	6877ER1047V	F120
Panel Assembly,Control	AGL75092823	F210
Dispenser Assembly	4925ER1021A	F300

* If the parts you are looking for are not on this page, please find them in the parts list of the base model. Except for the parts listed on this page, they are the same as the parts of the base model.



Commercial Product Parts List

Parts List: Giant-C Pro Variations (Silver & White)

Base Model Giant-C Pro (FH069FDF.ASSEELC/GCWF1069QD3)

* Apart from the variation parts, other parts are identical to the Base Model.

White Variations

(FH069FD4F.ABWEELC/GCWF1069QS1)

Description	Part Name	SVC Loc
Cabinet Assembly	ABJ30921787	A100
Plate Assembly,Top	AGU30071273	A110
Cover,Cabinet	3550ER0045D	A130
Handle	3650FA3488M	A155
Cap,Cover	5006ER2012F	A310
Panel Assembly,Control	AGL75092859	F210

White Variations

(FH069FD6F.ABWEELC/GCWF1069CD1)

Description	Part Name	SVC Loc
Cabinet Assembly	ABJ30921787	A100
Plate Assembly,Top	AGU30071264	A110
Cover,Cabinet	3550ER0045D	A130
Handle	3650FA3488M	A155
Cap,Cover	5006ER2012F	A310
Panel Assembly,Control	AGL75092850	F210
Guide,Cover	MEA61973301	F212
Panel Assembly,Drawer	AGL73137001	F220

White Variations

(FH069FD7F.ABWEELC/GCWF1069CS1)

Description	Part Name	SVC Loc
Cabinet Assembly	ABJ30921787	A100
Plate Assembly,Top	AGU30071274	A110
Cover,Cabinet	3550ER0045D	A130
Handle	3650FA3488M	A155
Cap,Cover	5006ER2012F	A310
Panel Assembly,Control	AGL75092848	F210

White Variations

(FH069FDF.ABWEELC/GCWF1069CD1)

Description	Part Name	SVC Loc
Cabinet Assembly	ABJ30921787	A100
Plate Assembly,Top	AGU30071264	A110
Cover,Cabinet	3550ER0045D	A130
Handle	3650FA3488M	A155
Cap,Cover	5006ER2012F	A310
Frame Assembly	3211ER1001T	A390
Panel Assembly,Control	AGL75092849	F210
Guide,Cover	MEA61973301	F212
Panel Assembly,Drawer	AGL73137001	F220

Silver Variations

(FH069FD4F.ASSEELC/GCWF1069QS3)

Description	Part Name	SVC Loc
Plate Assembly,Top	AGU30071278	A110
Lid Assembly	AFG73189701	A160
Cap,Screw	MBL65796901	A161
Frame Assembly	3211ER1001S	A390
PCB Assembly,Display	EBR83442801	F110
Panel Assembly,Control	AGL75092858	F210
Dispenser Assembly	ACZ55907504	F300
Box Assembly,Detergent	AAZ68565002	F301
Hose,Inlet	5214ER4001A	F326
Hose,Connector	5214FR4058D	F329
Frame,Body	MDQ63560502	M410

Silver Variations

(FH069FD6F.ASSEELC/GCWF1069CD3)

Description	Part Name	SVC Loc
Cover,Guide	MCK62998501	A117
Frame Assembly	3211ER1001S	A390
Panel Assembly,Control	AGL75092823	F210
Plate Assembly,Top	Same as QD3	A110

Silver Variations

(FH069FD7F.ASSEELC/GCWF1069CS3)

Description	Part Name	SVC Loc
Plate Assembly,Top	AGU30071279	A110
Cover,Guide	MCK62998501	A117
Lid Assembly	AFG73189701	A160
Cap,Screw	MBL65796901	A161
Frame Assembly	3211ER1001S	A390
PCB Assembly,Display	EBR83442801	F110
Panel Assembly,Control	AGL75092825	F210
Dispenser Assembly	ACZ55907504	F300
Box Assembly,Detergent	AAZ68565002	F301
Hose,Inlet	5214ER4001A	F326
Hose,Connector	5214FR4058D	F329
Frame,Body	MDQ63560502	M410

* If the parts you are looking for are not on this page, please find them in the parts list of the base model. Except for the parts listed on this page, they are the same as the parts of the base model.



Commercial Product Parts List

Parts List: Giant-C Plus Variations (White)

Base Model Giant-C Pro (FH069FDF.ASSEELC/GCWF1069QD3)

※ Apart from the variation parts, other parts are identical to the Base Model.

Giant-C Plus White Variations
(FH069FD7P.ABWEELC/GCWP1069CS1)

Description	Part Name	SVC Loc
Cabinet Assembly	ABJ30921781	A100
Plate Assembly,Top	AGU30071274	A110
Cover,Guide	MCK62998501	A117
Cover,Cabinet	3550ER0045D	A130
Handle	3650FA3488M	A155
Lid Assembly	AFG73189701	A160
Cap,Screw	MBL65796901	A161
Cap,Cover	5006ER2012F	A310
Frame Assembly	3211ER1001S	A390
PCB Assembly,Main	EBR81121307	A450
Filter Assembly	EAM62891001	A485
PCB Assembly,Display	EBR64458135	F110
Harness,Multi	6877ER1047V	F120
Panel Assembly,Control	AGL75092848	F210
Dispenser Assembly	ACZ55907501	F300
Hose,Inlet	5214ER4001A	F326
Hose,Connector	5214FR4058D	F329
Frame,Body	MDQ63560502	M410

Giant-C Plus White Variations
(FH069FD4P.ABWEELC/GCWP1069QS1)

Description	Part Name	SVC Loc
Cabinet Assembly	ABJ30921781	A100
Plate Assembly,Top	AGU30071273	A110
Cover,Cabinet	3550ER0045D	A130
Handle	3650FA3488M	A155
Lid Assembly	AFG73189701	A160
Cap,Screw	MBL65796901	A161
Cap,Cover	5006ER2012F	A310
Frame Assembly	3211ER1001S	A390
PCB Assembly,Main	EBR81121307	A450
Filter Assembly	EAM62891001	A485
PCB Assembly,Display	EBR64458135	F110
Harness,Multi	6877ER1047V	F120
Panel Assembly,Control	AGL75092847	F210
Dispenser Assembly	ACZ55907501	F300
Box Assembly,Detergent	AAZ68565002	F301
Hose,Inlet	5214ER4001A	F326
Hose,Connector	5214FR4058D	F329
Frame,Body	MDQ63560502	M410

Giant-C Plus White Variations
(FH069FDP.ABWEELC/GCWP1069QD1)

Description	Part Name	SVC Loc
Cabinet Assembly	ABJ30921781	A100
Plate Assembly,Top	AGU30071264	A110
Cover,Cabinet	3550ER0045D	A130
Handle	3650FA3488M	A155
Cap,Cover	5006ER2012F	A310
Frame Assembly	3211ER1001T	A390
PCB Assembly,Main	EBR81121307	A450
Filter Assembly	EAM62891001	A485
PCB Assembly,Display	EBR64458134	F110
Harness,Multi	6877ER1047V	F120
Panel Assembly,Control	AGL75092849	F210
Guide,Cover	MEA61973301	F212
Panel Assembly,Drawer	AGL73137001	F220
Dispenser Assembly	4925ER1021A	F300

Giant-C Plus White Variations
(FH069FD6P.ABWEELC/GCWP1069CD1)

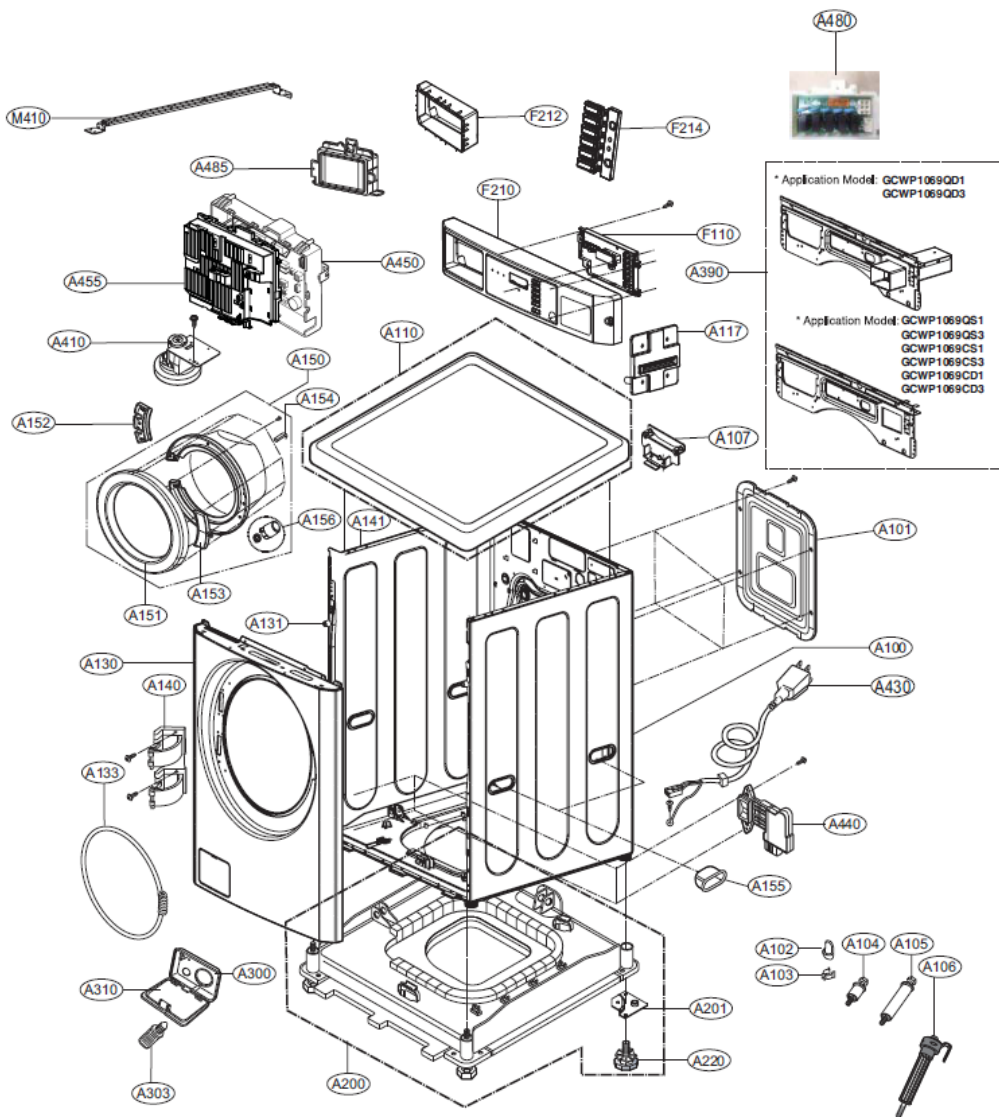
Description	Part Name	SVC Loc
Cabinet Assembly	ABJ30921781	A100
Plate Assembly,Top	AGU30071264	A110
Cover,Guide	MCK62998501	A117
Cover,Cabinet	3550ER0045D	A130
Handle	3650FA3488M	A155
Cap,Cover	5006ER2012F	A310
Frame Assembly	3211ER1001S	A390
PCB Assembly,Main	EBR81121307	A450
Filter Assembly	EAM62891001	A485
PCB Assembly,Display	EBR64458134	F110
Harness,Multi	6877ER1047V	F120
Panel Assembly,Control	AGL75092850	F210
Panel Assembly,Drawer	AGL73137001	F220
Dispenser Assembly	4925ER1021A	F300

* If the parts you are looking for are not on this page, please find them in the parts list of the base model. Except for the parts listed on this page, they are the same as the parts of the base model.



Giant-C Fast (FH069FD*L/GCWL1069***)

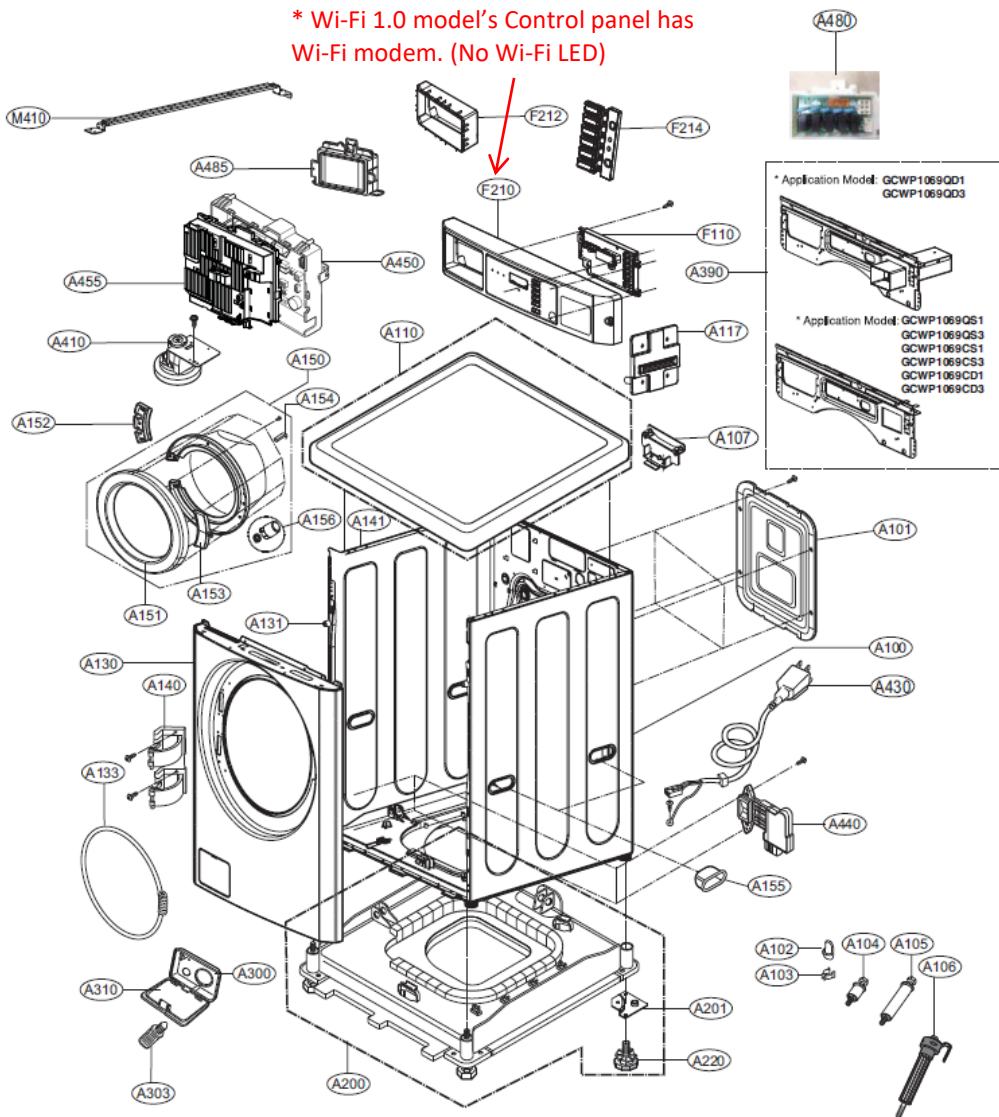
CABINET & CONTROL PANEL ASSEMBLY



Giant-C Fast Wi-Fi 1.0 (FH069FD*W/GCWL1069**5)

CABINET & CONTROL PANEL ASSEMBLY

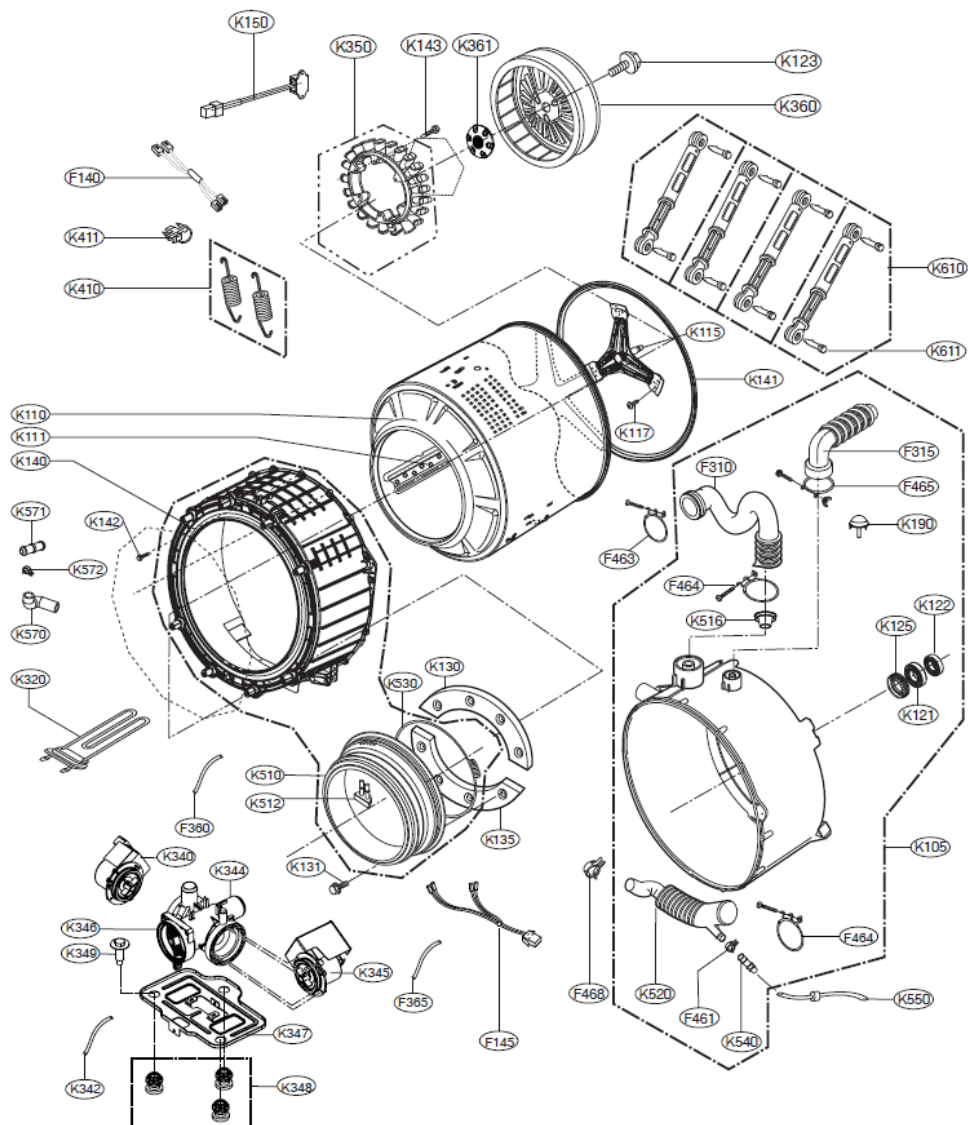
* Wi-Fi 1.0 model's Control panel has Wi-Fi modem. (No Wi-Fi LED)



Parts List: Washer Exploded View

Giant-C Fast (FH069FD*L/GCWL1069***)
 Giant-C Fast Wi-Fi 1.0 (FH069FD*W/GCWL1069**5)

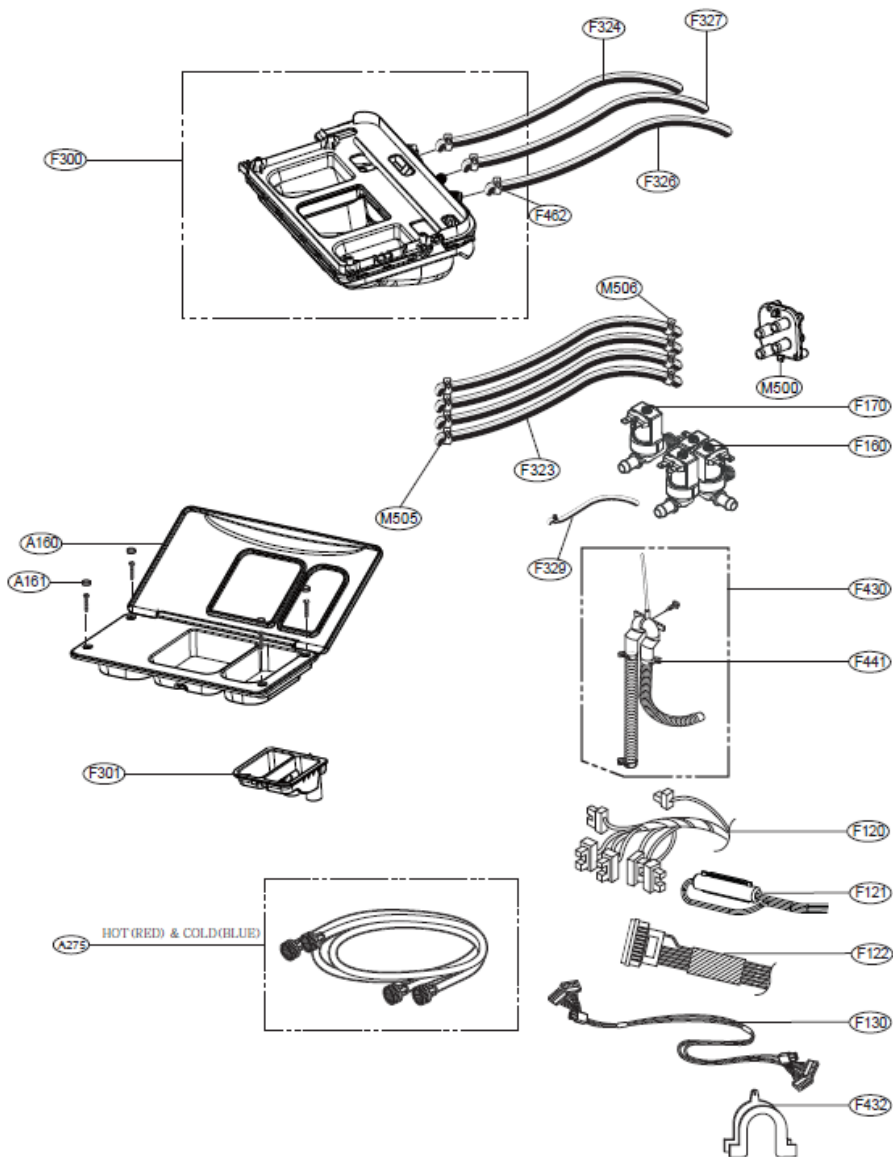
DRUM & TUB ASSEMBLY



Parts List: Washer Exploded View

Giant-C Fast (FH069FD*L/GCWL1069***)
 Giant-C Fast Wi-Fi 1.0 (FH069FD*W/GCWL1069**5)

DISPENSER ASSEMBLY (FOR SINGLE MODEL)

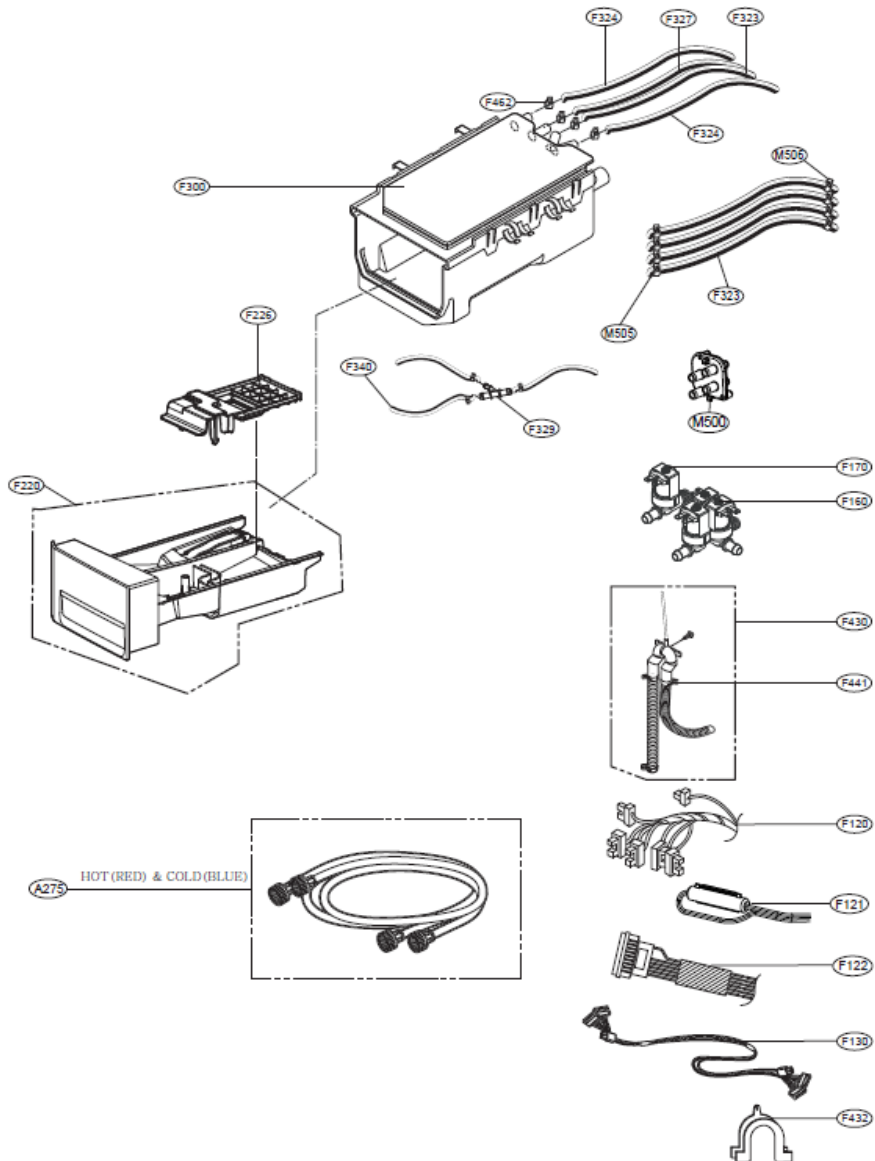


Parts List: Washer Exploded View

Giant-C Fast (FH069FD*L/GCWL1069***)

Giant-C Fast Wi-Fi 1.0 (FH069FD*W/GCWL1069**5)

DISPENSER ASSEMBLY (FOR STACK MODEL)



Commercial Product Parts List

Parts List: Washer

Base Model Giant-C Fast (FH069FDL.ASSEELC/GCWL1069QD3)

Description	Part Name	SVC Loc
Manual Assembly,Owners	AFN73511997	*001
Cabinet Assembly	ABJ30921794	A100
Cover, Rear	3550ER1028A	A101
Bush	4830ER3001A	A102
Holder	4930ER3014A	A103
Bolt Assembly	FAA31690704	A104
Bolt Assembly	FAA31690703	A105
Bolt Assembly	FAA31690705	A106
Bracket,Hinge	4810ER3024A	A107
Plate Assembly,Top	AGU30071271	A110
Cover,Cabinet	3550ER0045E	A130
Holder Assembly	AEJ33026601	A131
Clamp Assembly	2W20017E	A133
Hinge Assembly	4775ER2002E	A140
Holder Assembly	AEJ33026401	A141
Door Assembly	ADC73648401	A150
Frame,Door(Outer)	3212ER0005A	A151
Frame,Door(Inner)	3212ER1016A	A152
Handle	3650ER2004A	A153
Locker,Hook	MFG62579001	A154
Handle	3650FA3489A	A155
Parts Assembly	AGM73610701	A156
Base Assembly,Cabinet	3041ER0001U	A200
Bracket,Base	4810ER3006A	A201
Leg Assembly	AFC72755401	A220
Accessory Assembly	AAA76517705	A275
Case	3110ER2016A	A300
Cap,Drain Hose	5006ER3009A	A303
Cap,Cover	5006ER2012G	A310
Frame Assembly	3211ER1001J	A390
Switch Assembly,Pressure	6601ER1006G	A410
Power Cord Assembly	6411ER1006V	A430
Switch Assembly,Locker	EBF61315802	A440
PCB Assembly,Main	EBR81121318	A450
Cover,Protect	3550ER1032A	A455
PCB Assembly,Sub	EBR81083402	A480
Filter Assembly	EAM60991314	A485
PCB Assembly,Display	EBR83442811	F110
Harness,Multi	EAD64005806	F120
Harness,Single	6877ER3003Y	F121

Description	Part Name	SVC Loc
Harness,Single	6877ER3003V	F122
Harness,Multi	6850EC2007L	F130
Harness,Multi	6877ER1016U	F140
Harness,Single	6877ER3003B	F145
Valve Assembly,Inlet	5221ER1003A	F160
Valve Assembly,Inlet	5220FR2006H	F170
Panel Assembly,Control	AGL75092887	F210
Guide,Cover	MEA61973302	F212
Button,Control	MBG62329501	F214
Panel Assembly,Drawer	AGL73137009	F220
Cap,Siphone	MBL62620901	F226
Dispenser Assembly	4925ER1021B	F300
Bellows	4738ER1004A	F310
Bellows	4738ER2002A	F315
Hose,Inlet	5214ER4003Z	F323
Hose,Inlet	5214ER4001B	F324
Hose,Inlet	5214ER4001R	F327
Connector,Hose	4932ER4008B	F329
Hose,Inlet	5214ER4003F	F340
Hose,Connector	MEJ62484601	F360
Hose,Connector	MEJ62484602	F365
Hose Assembly,Drain	AEM74772902	F430
Hanger Assembly,Pivot	3W50712A	F432
Clamp	4861FR3068C	F441
Clamp	4861FR3068E	F461
Clamp	4861FR3068A	F462
Clamp	4860FR3092D	F463
Clamp	4860FR3092C	F464
Clamp	4860FR3092K	F464
Clamp	4860FR3092D	F465
Clamp	4861FR3068E	F468
Tube Assembly,Outer	AJQ73413814	K105
Tube Assembly,Drum(Inner)	3045ER1017L	K110
Lifter Assembly	AFH72909001	K111
Spider	4434ER0002J	K115
Bolt,Common	4011FA4353E	K117
Bearing,Ball	4280FR4048N	K121
Bearing,Ball	MAP61913708	K121
Bearing,Ball	4280EN4001D	K122
Bearing,Ball	MAP61913727	K122

Description	Part Name	SVC Loc
Bolt Assembly	4040FR4051C	K123
Gasket	4036ER2004A	K125
Balance Weight	4866ER0007A	K130
Screw,Customized	15ZZER4002A	K131
Balance Weight	4866ER0004A	K135
Cover,Tub	3550ER0004H	K140
Gasket	4036ER4001B	K141
Parts Assembly	383EER3001W	K142
Bolt,Common	4011FA4353B	K143
Sensor Assembly	EBD48922805	K150
Float Assembly	4769ER4001B	K190
Heater Assembly	AEG33121501	K320
Heater Assembly	AEG33121528	K320
Motor Assembly,AC,Pump	4681EA2001T	K340
Hose,Connector	5214FR4006G	K342
Casing,Pump	3108ER1001E	K344
Motor Assembly,AC,Pump	EAU61383503	K345
Parts Assembly	383EER2001A	K346
Bracket,Pump	MAZ41498201	K347
Damper	MCQ41502701	K348
Bolt,Common	FAA30153701	K349
Stator Assembly	AJB73816004	K350
Rotor Assembly	AHL72914402	K360
Bush,Rotor	MBF62845101	K361
Spring,Hinge	4970FR2084P	K410
Holder	4930FR3040A	K411
Gasket	4986ER0004B	K510
Connector, Nozzle	MCD62387102	K512
Guide,Water	4974ER3008A	K516
Bellows	4738ER1002A	K520
Clamp Assembly	4861ER2001D	K530
Clamp Assembly	4861ER2001F	K530
Chamber,Air	3504ER3002A	K540
Hose,Inlet	5214FR4125N	K550
Hose,Connector	5214FR4058Y	K570
Connector,Hose	4932ER4007B	K571
Clamp	4861FR3068A	K572
Parts Assembly	383EER3001G	K610
Hinge	4774FR3118B	K611
Frame,Body	MDQ63616301	M410
Connector,Hose	MCD63787601	M500
Clamp	4861FR3068P	M505
Clamp	4861FR3068K	M506



Commercial Product Parts List

Parts List: Giant-C Fast Variations (Silver & White)

Base Model Giant-C Fast (FH069FDL.ASSEELC/GCWL1069QD3)

※ Apart from the variation parts, other parts are identical to the Base Model.

White Variations

(FH069FD4L.ABWEELC/GCWL1069QS1)

Description	Part Name	SVC Loc
Cabinet Assembly	ABJ30921790	A100
Plate Assembly,Top	AGU30071273	A110
Cover,Cabinet	3550ER0045D	A130
Handle	3650FA3488M	A155
Cap,Cover	5006ER2012F	A310
Panel Assembly,Control	AGL75092891	F210

White Variations

(FH069FD7L.ABWEELC/GCWL1069CS1)

Description	Part Name	SVC Loc
Cabinet Assembly	ABJ30921790	A100
Plate Assembly,Top	AGU30071274	A110
Cover,Cabinet	3550ER0045D	A130
Handle	3650FA3488M	A155
Cap,Cover	5006ER2012F	A310
Panel Assembly,Control	AGL75092892	F210

Silver Variations

(FH069FD4L.ASSEELC/GCWL1069QS3)

Description	Part Name	SVC Loc
Plate Assembly,Top	AGU30071278	A110
Lid Assembly	AFG73189701	A160
Cap,Screw	MBL65796901	A161
Frame Assembly	3211ER1001S	A390
PCB Assembly,Display	EBR83442812	F110
Panel Assembly,Control	AGL75092869	F210
Dispenser Assembly	ACZ55907504	F300
Box Assembly,Detergent	AAZ68565002	F301
Hose,Inlet	5214ER4001A	F326
Hose,Connector	5214FR4058D	F329
Frame,Body	MDQ63560502	M410

Silver Variations

(FH069FD6L.ASSEELC/GCWL1069CD3)

Description	Part Name	SVC Loc
Cover,Guide	MCK62998501	A117
Frame Assembly	3211ER1001S	A390
Panel Assembly,Control	AGL75092893	F210
Plate Assembly,Top	AGU30071271	A110

Silver Variations

(FH069FD7L.ASSEELC/GCWL1069CS3)

Description	Part Name	SVC Loc
Plate Assembly,Top	AGU30071279	A110
Cover,Guide	MCK62998501	A117
Lid Assembly	AFG73189701	A160
Cap,Screw	MBL65796901	A161
Frame Assembly	3211ER1001S	A390
PCB Assembly,Display	EBR83442812	F110
Panel Assembly,Control	AGL75092889	F210
Dispenser Assembly	ACZ55907504	F300
Box Assembly,Detergent	AAZ68565002	F301
Hose,Inlet	5214ER4001A	F326
Hose,Connector	5214FR4058D	F329
Frame,Body	MDQ63560502	M410

* If the parts you are looking for are not on this page, please find them in the parts list of the base model. Except for the parts listed on this page, they are the same as the parts of the base model. ▶



Commercial Product Parts List

Parts List: Giant-C Fast Variations (Wi-Fi 1.0)

Base Model Giant-C Fast (FH069FDL.ASSEELC/GCWL1069QD3)

※ Apart from the variation parts, other parts are identical to the Base Model.

Wi-Fi 1.0 Variations
(FH069FDW.ASSEELC/GCWL1069QD5)

Description	Part Name	SVC Loc
Panel Assembly,Control	AGL75092893	F210
PCB Assembly,Main	EBR81121320	A450
PCB Assembly,Display	EBR83442815	F110

Wi-Fi 1.0 Variations
(FH069FD6W.ASSEELC/GCWL1069CD5)

Description	Part Name	SVC Loc
Cover,Guide	MCK62998501	A117
Frame Assembly	3211ER10015	A390
Panel Assembly,Control	AGL75092893	F210
Plate Assembly,Top	AGU30071271	A110
PCB Assembly,Main	EBR81121320	A450
PCB Assembly,Display	EBR83442815	F110

Wi-Fi 1.0 Variations
(FH069FD4W.ASSEELC/GCWL1069QS5)

Description	Part Name	SVC Loc
Plate Assembly,Top	AGU30071278	A110
Lid Assembly	AFG73189701	A160
Cap,Screw	MBL65796901	A161
Frame Assembly	3211ER10015	A390
PCB Assembly,Display	EBR83442814	F110
Panel Assembly,Control	AGL75092880	F210
Dispenser Assembly	ACZ55907504	F300
Box Assembly,Detergent	AAZ68565002	F301
Hose,Inlet	5214ER4001A	F326
Hose,Connector	5214FR4058D	F329
Frame,Body	MDQ63560502	M410
PCB Assembly,Main	EBR81121320	A450

Wi-Fi 1.0 Variations
(FH069FD7W.ASSEELC/GCWL1069CS5)

Description	Part Name	SVC Loc
Plate Assembly,Top	AGU30071279	A110
Cover,Guide	MCK62998501	A117
Lid Assembly	AFG73189701	A160
Cap,Screw	MBL65796901	A161
Frame Assembly	3211ER10015	A390
PCB Assembly,Display	EBR83442814	F110
Panel Assembly,Control	AGL75092899	F210
Dispenser Assembly	ACZ55907504	F300
Box Assembly,Detergent	AAZ68565002	F301
Hose,Inlet	5214ER4001A	F326
Hose,Connector	5214FR4058D	F329
Frame,Body	MDQ63560502	M410
PCB Assembly,Main	EBR81121320	A450

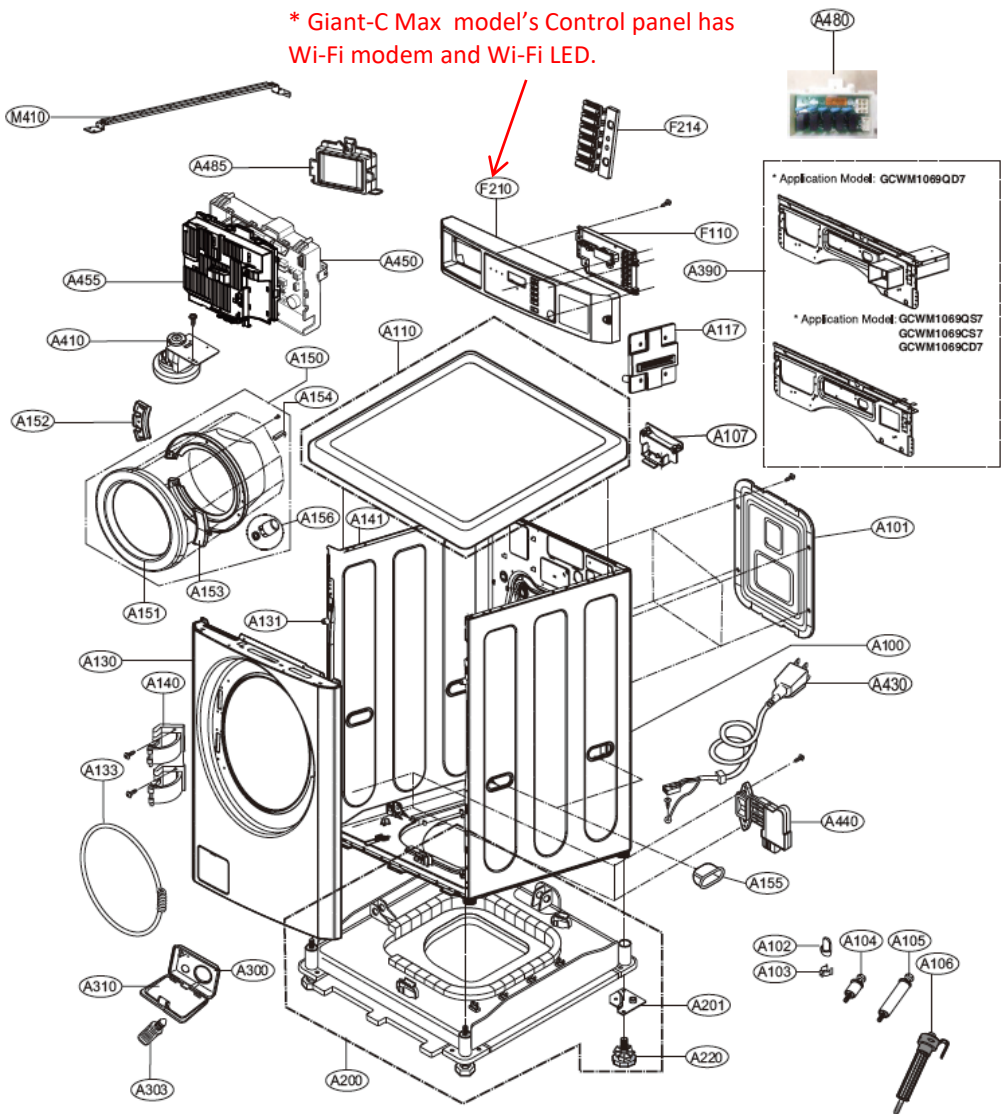
* If the parts you are looking for are not on this page, please find them in the parts list of the base model. Except for the parts listed on this page, they are the same as the parts of the base model.



Giant-C Max (FH069FD*M/GCWM1069***)

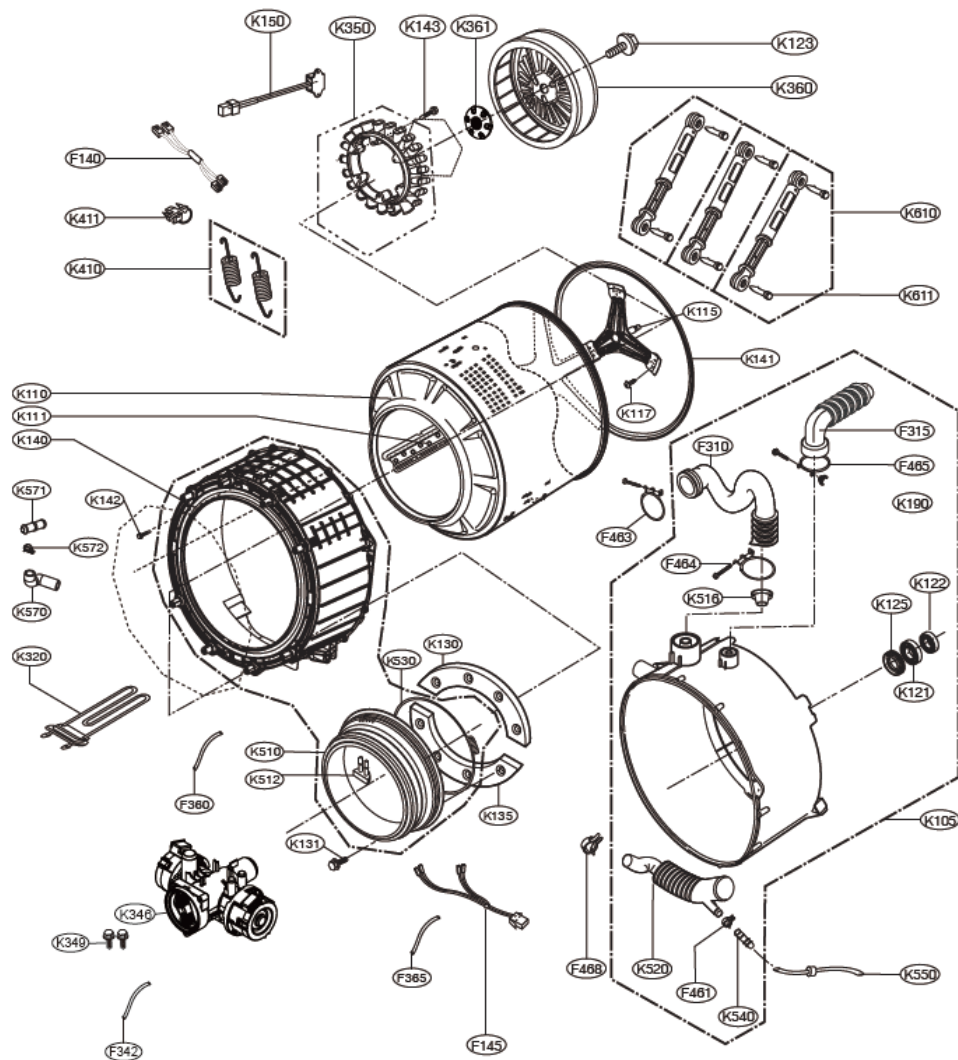
CABINET & CONTROL PANEL ASSEMBLY

* Giant-C Max model's Control panel has Wi-Fi modem and Wi-Fi LED.



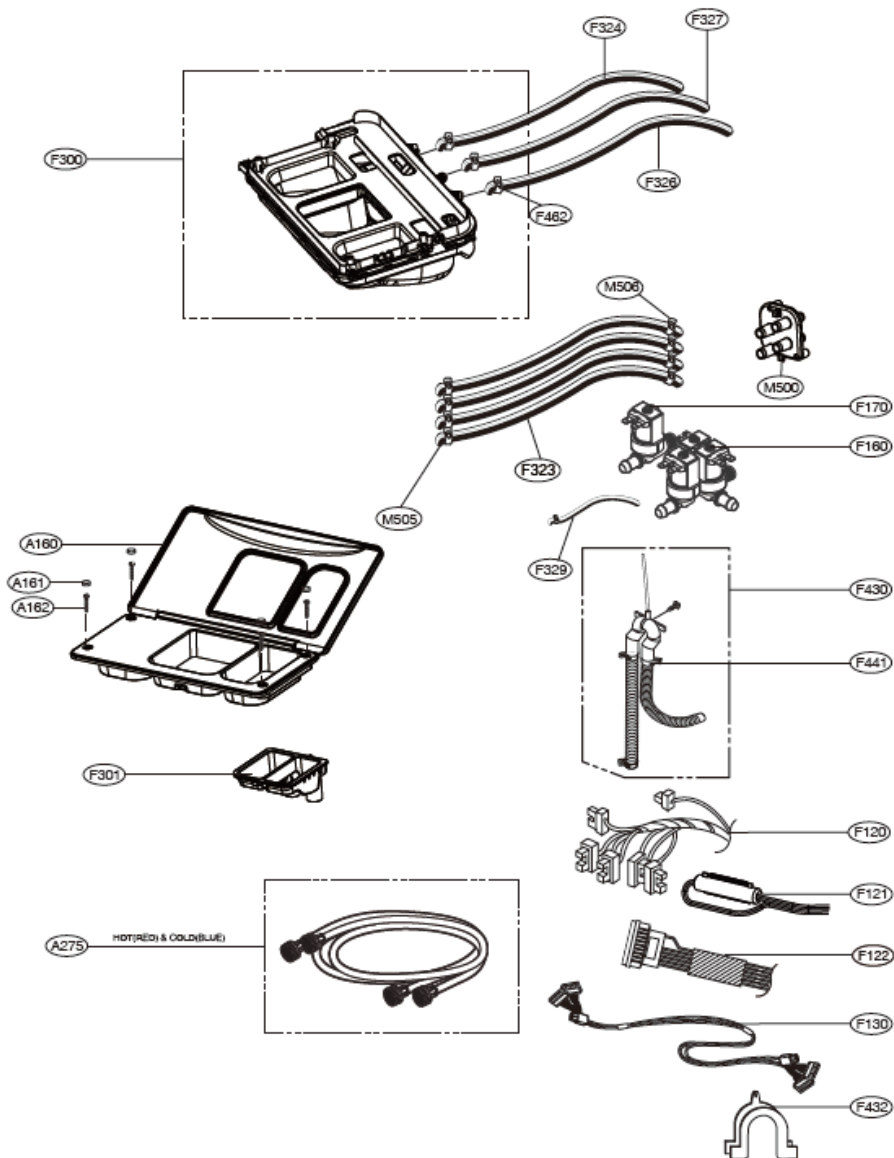
Giant-C Max (FH069FD*M/GCWM1069***)

DRUM & TUB ASSEMBLY



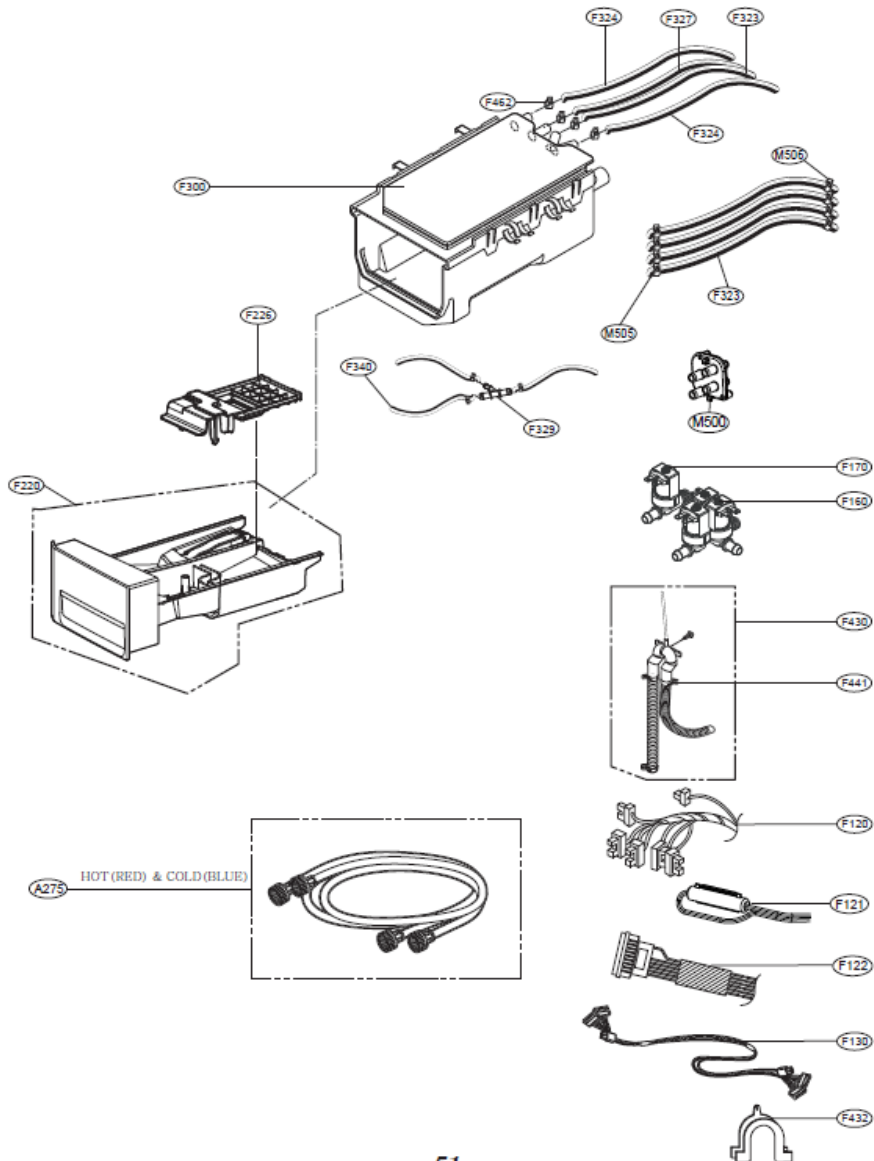
Giant-C Max (FH069FD*M/GCWM1069***)

DISPENSER ASSEMBLY (FOR SINGLE MODEL)



Giant-C Max (FH069FD*M/GCWM1069***)

DISPENSER ASSEMBLY (FOR STACK MODEL)



Commercial Product Parts List

Parts List: Washer

Base Model Giant-C Max (FH069FDM.ASSEELC/GCWM1069QD7)

Description	Part Name	SVC Loc
Cabinet Assembly	ABJ30921794	A100
Cover,Rear	3550ER1028A	A101
Bush	4830ER3001A	A102
Holder	4930ER3014A	A103
Bolt Assembly	FAA31690704	A104
Bolt Assembly	FAA31690703	A105
Bolt Assembly	FAA31690705	A106
Bracket,Hinge	4810ER3024A	A107
Plate Assembly,Top	AGU30071271	A110
Cover,Cabinet	3550ER0045E	A130
Holder Assembly	AEJ33026601	A131
Clamp Assembly	2W20017E	A133
Hinge Assembly	4775ER2002E	A140
Holder Assembly	AEJ33026401	A141
Door Assembly	ADC73648401	A150
Frame,Door(Outer)	3212ER0005A	A151
Frame,Door(Inner)	3212ER1016A	A152
Handle	3650ER2004A	A153
Locker,Hook	MFG62579001	A154
Handle	3650FA3489A	A155
Parts Assembly	AGM73610701	A156
Base Assembly,Cabinet	3041ER0001X	A200
Bracket,Base	4810ER3006A	A201
Leg Assembly	AFC72755401	A220
Accessory Assembly	AAA76517705	A275
Case	3110ER2016A	A300
Cap,Drain Hose	5006EN3015A	A303
Cap,Cover	5006ER2012G	A310
Frame Assembly	3211ER1001J	A390
Switch Assembly,Pressure	6601ER1006G	A410
Power Cord Assembly	6411ER1006V	A430
Switch Assembly,Locker	EBF61315802	A440
PCB Assembly,Main	EBR86778404	A450
Cover,Protect	3550ER1032A	A455
PCB Assembly,Sub	EBR81083402	A480
Filter Assembly	EAM60991314	A485
PCB Assembly,Display	EBR83442845	F110
Harness,Multi	EAD64005808	F120
Harness,Single	6877ER3003Y	F121
Harness,Single	6877ER3003V	F122

Description	Part Name	SVC Loc
Harness,Multi	6850EC2007L	F130
Harness,Multi	6877ER1016U	F140
Harness,Single	EAD64545811	F145
Valve Assembly,Inlet	5221ER1003M	F160
Valve Assembly,Inlet	5220FR2006W	F170
Panel Assembly,Control	AGL76633952	F210
Guide,Cover	MEA61973302	F212
Button,Control	MBG62329501	F214
Panel Assembly,Drawer	AGL73137009	F220
Cap,Siphone	MBL62620901	F226
Dispenser Assembly	4925ER1021B	F300
Bellows	4738ER1004A	F310
Bellows	4738ER2002A	F315
Hose,Inlet	5214ER4003Z	F323
Hose,Inlet	5214ER4001B	F324
Hose,Inlet	5214ER4001R	F327
Connector,Hose	4932ER4008B	F329
Hose,Inlet	5214FR4003F	F340
Hose,Connector	5214FR4006G	F342
Hose,Connector	MEJ62484601	F360
Hose,Connector	MEJ62484602	F365
Hose Assembly,Drain	5215ER2002G	F430
Hanger Assembly,Pivot	3W50712A	F432
Clamp	4861FR3068C	F441
Clamp	4861FR3068E	F461
Clamp	4861FR3068A	F462
Clamp	4860FR3092D	F463
Clamp	4860FR3092C	F464
Clamp	4860FR3092K	F464
Clamp	4860FR3092D	F465
Clamp	4861FR3068E	F468
Tube Assembly,Outer	AJQ73413815	K105
Tube Assembly,Drum(Inner)	3045ER1017L	K110
Lifter Assembly	AFH72909001	K111
Spider	4434ER0002J	K115
Bolt,Common	4011FA4353E	K117
Bearing,Ball	4280FR4048N	K121
Bearing,Ball	4280EN4001D	K122
Bolt Assembly	4040FR4051C	K123
Gasket	4036ER2004A	K125

Description	Part Name	SVC Loc
Balance Weight	4866ER0007A	K130
Screw,Customized	15ZZER4002A	K131
Balance Weight	4866ER0004A	K135
Cover,Tub	3550ER0004H	K140
Gasket	4036ER4001B	K141
Parts Assembly	383EER3001W	K142
Bolt,Common	4011FA4353B	K143
Sensor Assembly	EBD48922805	K150
Float Assembly	4769ER4001B	K190
Heater Assembly	AEG33121501	K320
Heater Assembly	AEG33121528	K320
Pump Assembly,Drain	AHA75693409	K346
Screw,Customized	4W50404B	K349
Stator Assembly	AJB73816004	K350
Rotor Assembly	AHL72914402	K360
Bush,Rotor	MBF62845101	K361
Spring,Hinge	4970FR2084P	K410
Holder	4930FR3040A	K411
Gasket	4986ER0004P	K510
Connector,Nozzle	MCD62387102	K512
Guide,Water	4974ER3008A	K516
Bellows	4738ER1002A	K520
Clamp Assembly	4861ER2001D	K530
Clamp Assembly	4861ER2001F	K530
Chamber,Air	3504ER3002A	K540
Hose,Inlet	5214FR4125N	K550
Hose,Connector	5214FR4058Y	K570
Connector,Hose	4932ER4007B	K571
Clamp	4861FR3068A	K572
Parts Assembly	383EER3001G	K610
Hinge	4774FR3118B	K611
Frame,Body	MDQ63616301	M410
Connector,Hose	MCD63787601	M500
Clamp	4861FR3068P	M505
Clamp	4861FR3068K	M506



Commercial Product Parts List

Parts List: Giant-C Max Variations (Silver)

Base Model Giant-C Max (FH069FDM.ASSEELC/GCWM1069QD7)

※ Apart from the variation parts, other parts are identical to the Base Model.

Silver Variations

(FH069FD4M.ASSEELC/GCWM1069QS7) (FH069FD4M.ABWEELC/GCWM1069QS8)

Description	Part Name	SVC Loc
Plate Assembly,Top	AGU30071278	A110
Lid Assembly	AFG73189701	A160
Cap,Screw	MBL65796901	A161
Screw,Customized	1SZZEL3003D	A162
Frame Assembly	3211ER1001S	A390
PCB Assembly,Display	EBR83442832	F110
Panel Assembly,Control	AGL76633947	F210
Dispenser Assembly	ACZ55907504	F300
Box Assembly,Detergent	AAZ68565002	F301
Hose,Inlet	5214ER4001A	F326
Hose,Connector	5214FR4058D	F329
Frame,Body	MDQ63560502	M410

White Variations

Description	Part Name	SVC Loc
Cabinet Assembly	ABJ30921790	A100
Plate Assembly,Top	AGU30071273	A110
Cover,Cabinet	3550ER0045D	A130
Handle	3650FA3488M	A155
Panel Assembly,Drawer	5006ER2012F	A310
Panel Assembly,Control	AGL76633989	F210

Silver Variations

(FH069FD6M.ASSEELC/GCWM1069CD7)

Description	Part Name	SVC Loc
Cover,Guide	MCK62998501	A117
Frame Assembly	3211ER1001S	A390
Panel Assembly,Control	AGL76633946	F210

White Variations

(FH069FD6M.ABWEELC/GCWM1069CD8)

Description	Part Name	SVC Loc
Cabinet Assembly	ABJ30921790	A100
Plate Assembly,Top	AGU73708753	A110
Cover,Cabinet	3550ER0045D	A130
Handle	3650FA3488M	A155
Panel Assembly,Drawer	5006ER2012F	A310
Panel Assembly,Control	AGL76633990	F210
Guide,Cover	MEA61973301	F212
Panel Assembly,Drawer	AGL73137001	F220

Silver Variations

(FH069FD7M.ASSEELC/GCWM1069CS7)

Description	Part Name	SVC Loc
Plate Assembly,Top	AGU30071279	A110
Cover,Guide	MCK62998501	A117
Lid Assembly	AFG73189701	A160
Cap,Screw	MBL65796901	A161
Screw,Customized	1SZZEL3003D	A162
Frame Assembly	3211ER1001S	A390
PCB Assembly,Display	EBR83442832	F110
Panel Assembly,Control	AGL76633922	F210
Dispenser Assembly	ACZ55907504	F300
Box Assembly,Detergent	AAZ68565002	F301
Hose,Inlet	5214ER4001A	F326
Hose,Connector	5214FR4058D	F329
Frame,Body	MDQ63560502	M410

White Variations

(FH069FD7M.ABWEELC/GCWM1069CS8)

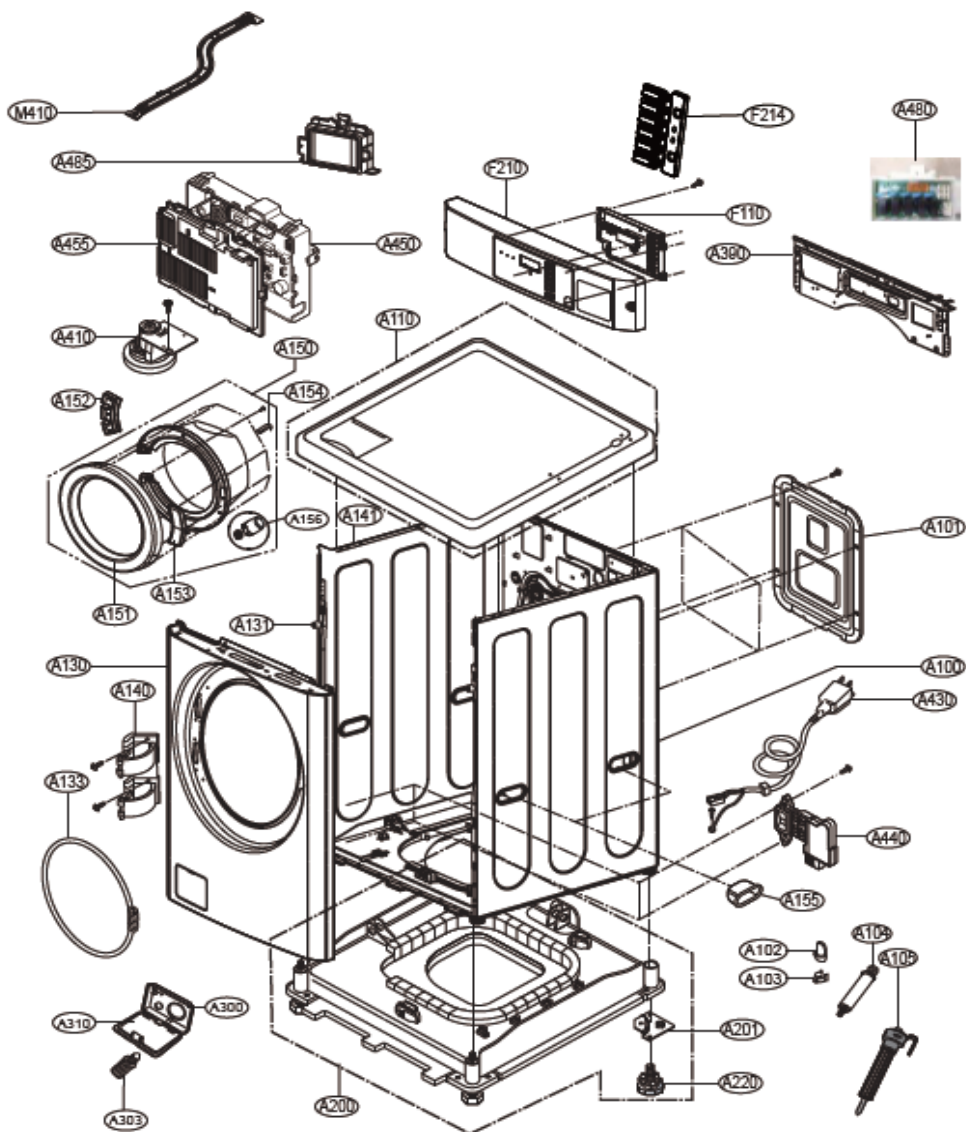
Description	Part Name	SVC Loc
Cabinet Assembly	ABJ30921790	A100
Plate Assembly,Top	AGU30071274	A110
Cover,Cabinet	3550ER0045D	A130
Handle	3650FA3488M	A155
Panel Assembly,Drawer	5006ER2012F	A310
Panel Assembly,Control	AGL76633991	F210

* If the parts you are looking for are not on this page, please find them in the parts list of the base model. Except for the parts listed on this page, they are the same as the parts of the base model.



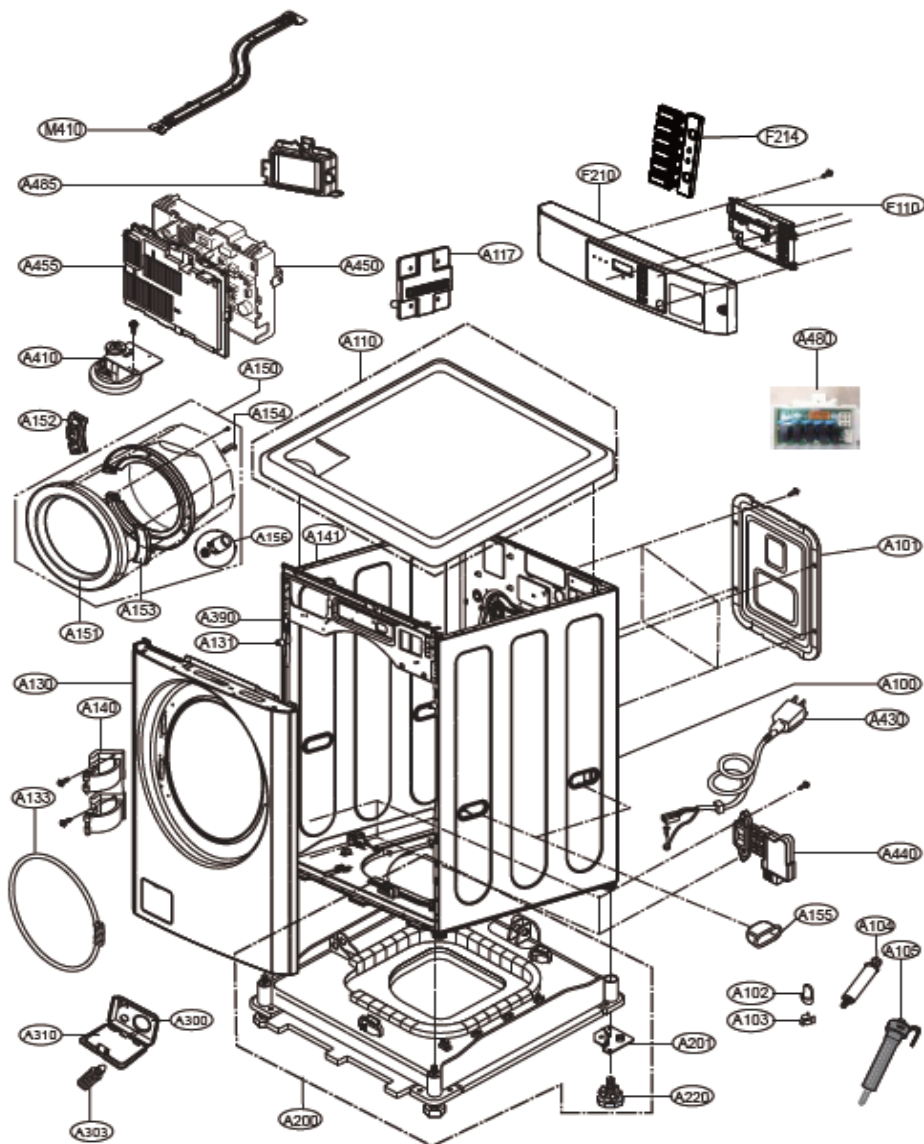
Titan-C (FH0C7FD*1/TCW2013*S1)

CABINET & CONTROL PANEL ASSEMBLY - COIN TYPE



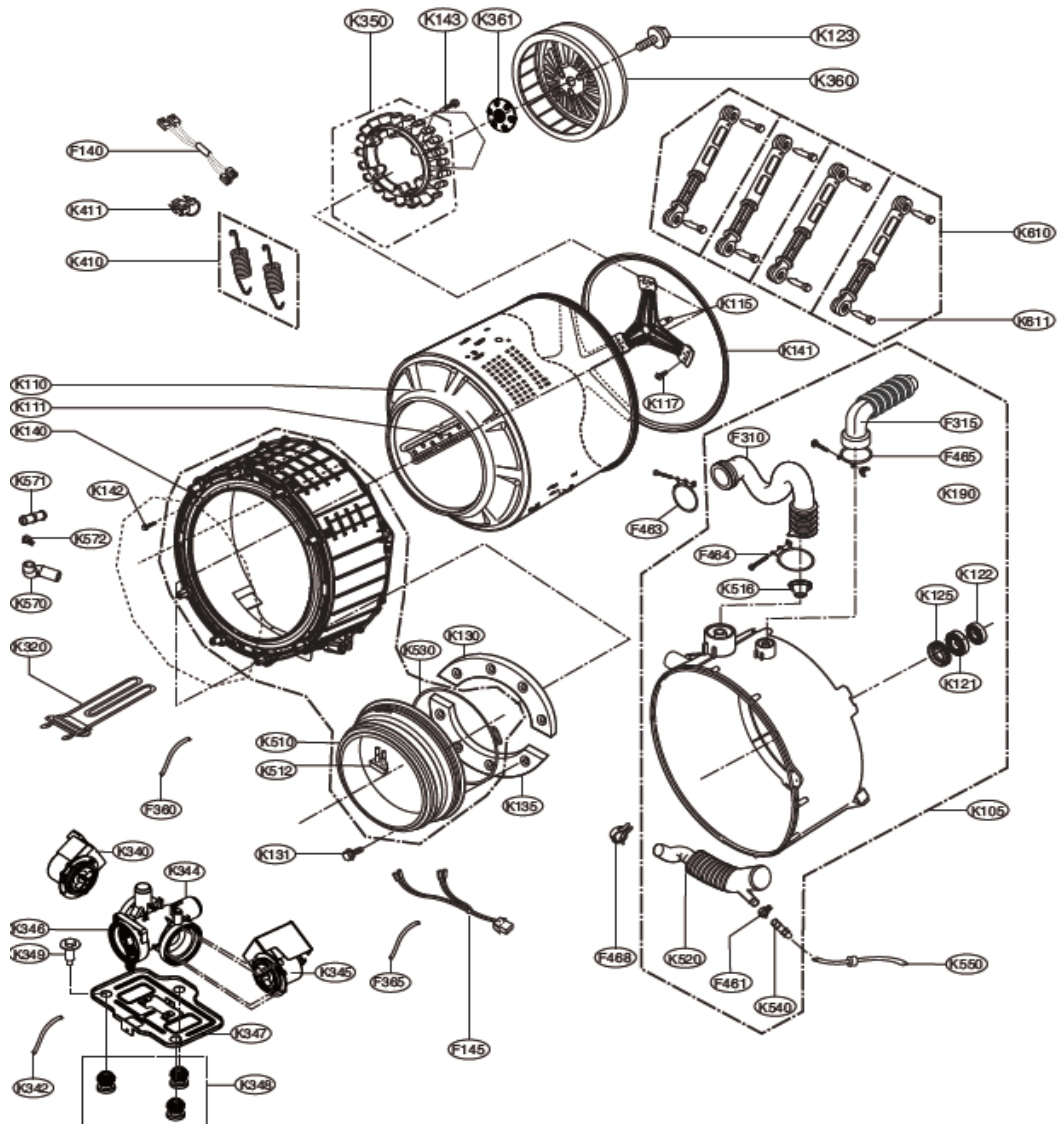
Titan-C (FH0C7FD*1/TCW2013*S1)

CABINET & CONTROL PANEL ASSEMBLY - CARD TYPE



Titan-C (FH0C7FD*1/TCW2013*S1)

DRUM & TUB ASSEMBLY

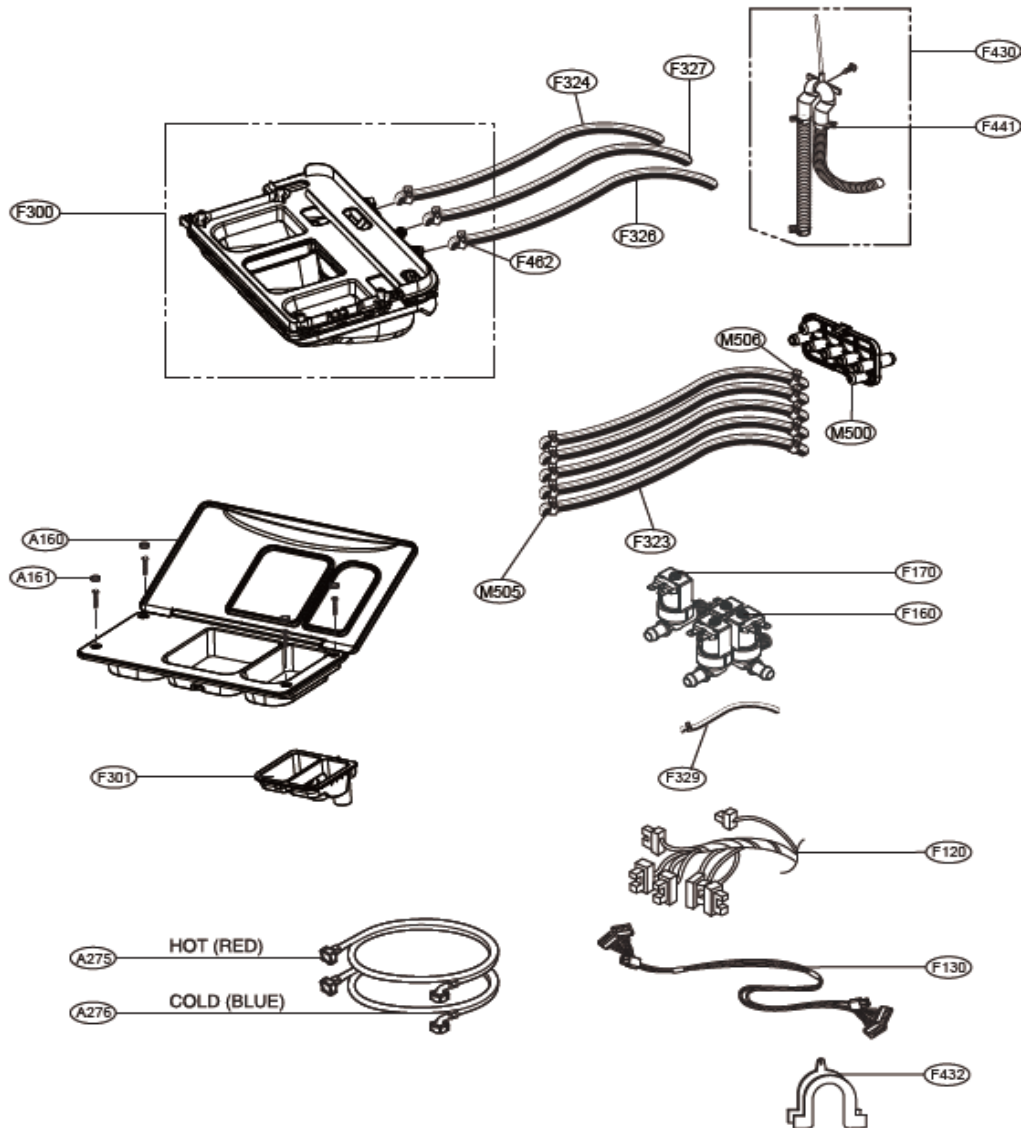


Commercial Product Parts List

Parts List: Washer Exploded View

Titan-C (FH0C7FD*1/TCW2013*S1)

DISPENSER ASSEMBLY



Commercial Product Parts List

Parts List: Washer

Titan-C (FH0C7FD71/TCW2013CS1)

Description	Part Name	SVC Loc
Manual Assembly,Owners	AFN76014028	*001
Spanner	3W200188	*003
Cabinet Assembly	ABJ73607409	A100
Cover,Rear	3550ER1028A	A101
Bush	4830ER3001A	A102
Holder	4930ER3014A	A103
Bolt Assembly	FAA31690703	A104
Bolt Assembly	FAA31690705	A105
Plate Assembly,Top	AGU73748204	A110
Cover,Guide	MCK62998501	A117
Cover,Cabinet	MCK67688002	A130
Holder Assembly	AEJ33026601	A131
Clamp Assembly	ACA56078801	A133
Hinge Assembly	AEH71610404	A140
Holder Assembly	AEJ33026401	A141
Door Assembly	ADC71605805	A150
Frame,Door(Outer)	MDQ58112601	A151
Frame,Door(Inner)	MDQ58114101	A152
Handle	MEB58113701	A153
Locker,Hook	MFG62579001	A154
Handle	3650FA3489A	A155
Parts Assembly	AGM73610702	A156
Lid Assembly	AFG73189701	A160
Cap,Screw	MBL65796901	A161
Base Assembly,Cabinet	AAN73931901	A200
Bracket,Base	4810ER3006A	A201
Leg Assembly	AFCT7275401	A220
Hose,Inlet	5215FD3715U	A275
Hose,Inlet	5215FD3715V	A276
Case	MBN64623001	A300
Cap,Drain Hose	5006ER3009A	A303
Cap,Cover	5006ER2012D	A310
Frame Assembly	ADV74166902	A390
Switch Assembly,Pressure	6601ER1006G	A410
Power Cord Assembly	6411ER1006V	A430
Switch Assembly,Locker	EBF61315802	A440
PCB Assembly,Main	EBR81121308	A450
Cover,Protect	3550ER1032A	A455
PCB Assembly,Sub	EBR81083401	A480

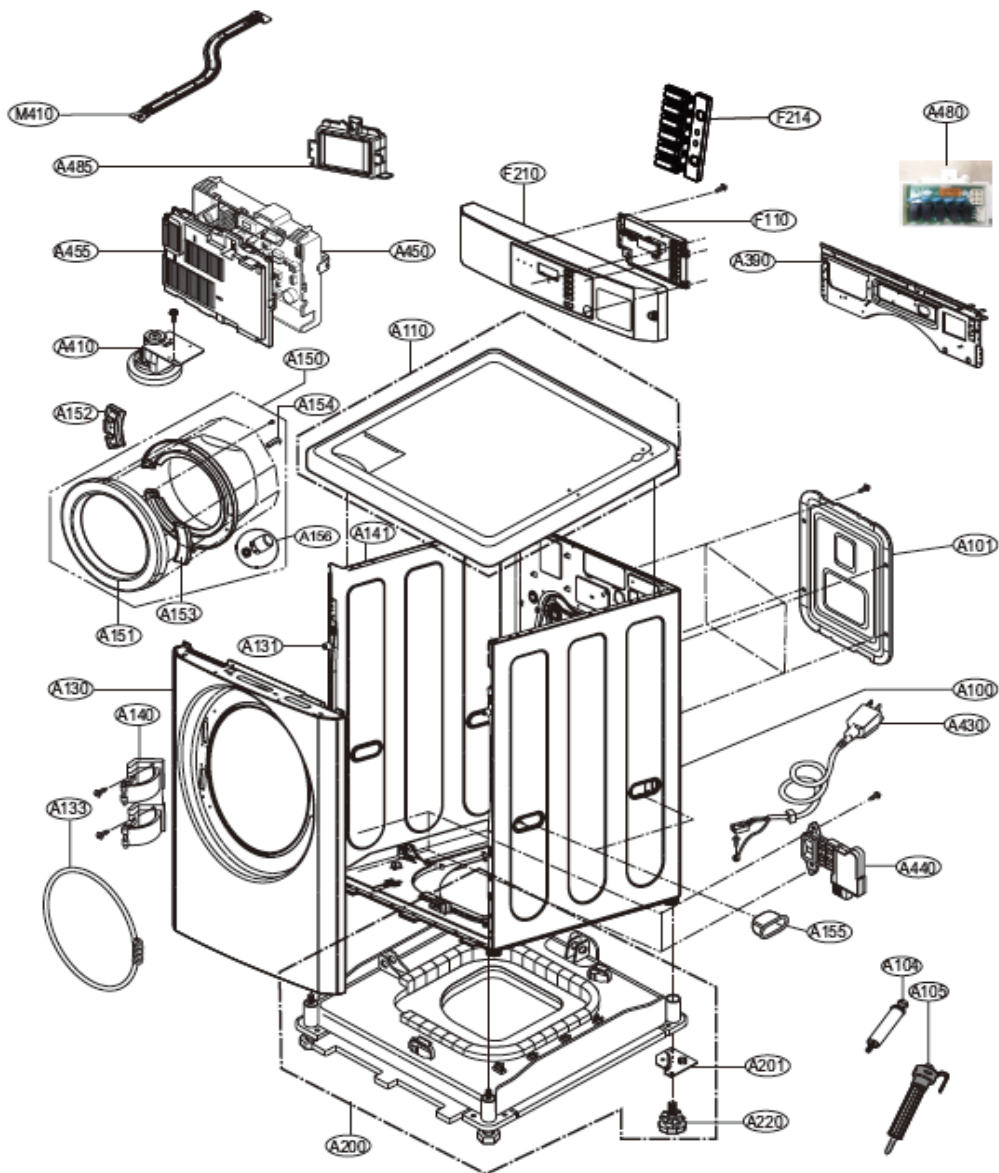
Description	Part Name	SVC Loc
Filter Assembly	EAM62891002	A485
PCB Assembly,Display	EBR64458136	F110
Harness,Multi	6877ER1047W	F120
Harness,Multi	6850EC2007J	F130
Harness,Multi	6877ER1016P	F140
Harness,Single	6877ER3003B	F145
Valve Assembly,Inlet	5221ER1003A	F160
Valve Assembly,Inlet	5220FR2006H	F170
Panel Assembly,Control	AGL74078520	F210
Button,Control	MBG62329501	F214
Dispenser Assembly	ACZ55907503	F300
Box Assembly,Detergent	AAZ68565002	F301
Bellows	4738ER1004B	F310
Bellows	4738ER2002A	F315
Hose,Inlet	5214ER4003Z	F323
Hose,Inlet	5214ER4001B	F324
Hose,Inlet	5214ER4001A	F326
Hose,Inlet	5214ER4001R	F327
Hose,Inlet	5214ER4003F	F329
Hose,Connector	MEJ62484603	F360
Hose,Connector	MEJ62484604	F365
Hose Assembly,Drain	5215ER2002X	F430
Hanger Assembly,Pivot	3W50712A	F432
Clamp	4861FR3068C	F441
Clamp	4861FR3068E	F461
Clamp	4861FR3068A	F462
Clamp	4860FR3092D	F463
Clamp	4860FR3092C	F464
Clamp	4860FR3092D	F465
Clamp	4861FR3068E	F468
Tube Assembly,Outer	AJQ73314206	K105
Tube Assembly,Drum(Inner)	AJQ73314402	K110
Lifter	MFE61881101	K111
Spider	MHW61901302	K115
Screw,Customized	4000FR4031C	K117
Bearing,Ball	MAP61913708	K121
Bearing,Ball	MAP61913709	K122
Bolt Assembly	4040FR4051C	K123
Gasket	MDS62058301	K125

Description	Part Name	SVC Loc
Balance Weight	MAG62142901	K130
Screw,Customized	15Z2ER4002A	K131
Balance Weight	MAG62142801	K135
Cover,Tub	MCK66703601	K140
Gasket	4036ER4001E	K141
Parts Assembly	383EER3001W	K142
Bolt,Common	4011FA4353B	K143
Float Assembly	4769ER4001B	K190
Heater Assembly	AEG33121501	K320
Motor Assembly,AC,Pump	4681EA2001T	K340
Hose,Connector	5214FR4006G	K342
Casing,Pump	3108ER1001E	K344
Motor Assembly,AC,Pump	EAU61383503	K345
Parts Assembly	383EER2001A	K346
Bracket,Pump	MAZ41498201	K347
Damper	MCO41502701	K348
Bolt,Common	FAA30153701	K349
Stator Assembly	AJB73816005	K350
Rotor Assembly	AHL72914402	K360
Bush,Rotor	MBF62845101	K361
Spring,Hinge	MHY62805901	K410
Holder	4930FR3040A	K411
Gasket	MDS47123605	K510
Connector,Nozzle	MCD62387101	K512
Guide,Water	4974ER3008A	K516
Bellows	4738ER1002A	K520
Clamp Assembly	4861ER2001J	K530
Chamber,Air	3504ER3002A	K540
Hose,Inlet	MEJ62305103	K550
Hose,Connector	5214FR4058Y	K570
Connector,Hose	4932ER4007B	K571
Clamp	4861FR3068A	K572
Parts Assembly	383EER3001J	K610
Hinge	4774FR3118B	K611
Frame,Body	MDQ63560501	M410
Connector,Hose	MCD62787301	M500
Clamp	4861FR3068P	M505
Clamp	4861FR3068K	M506



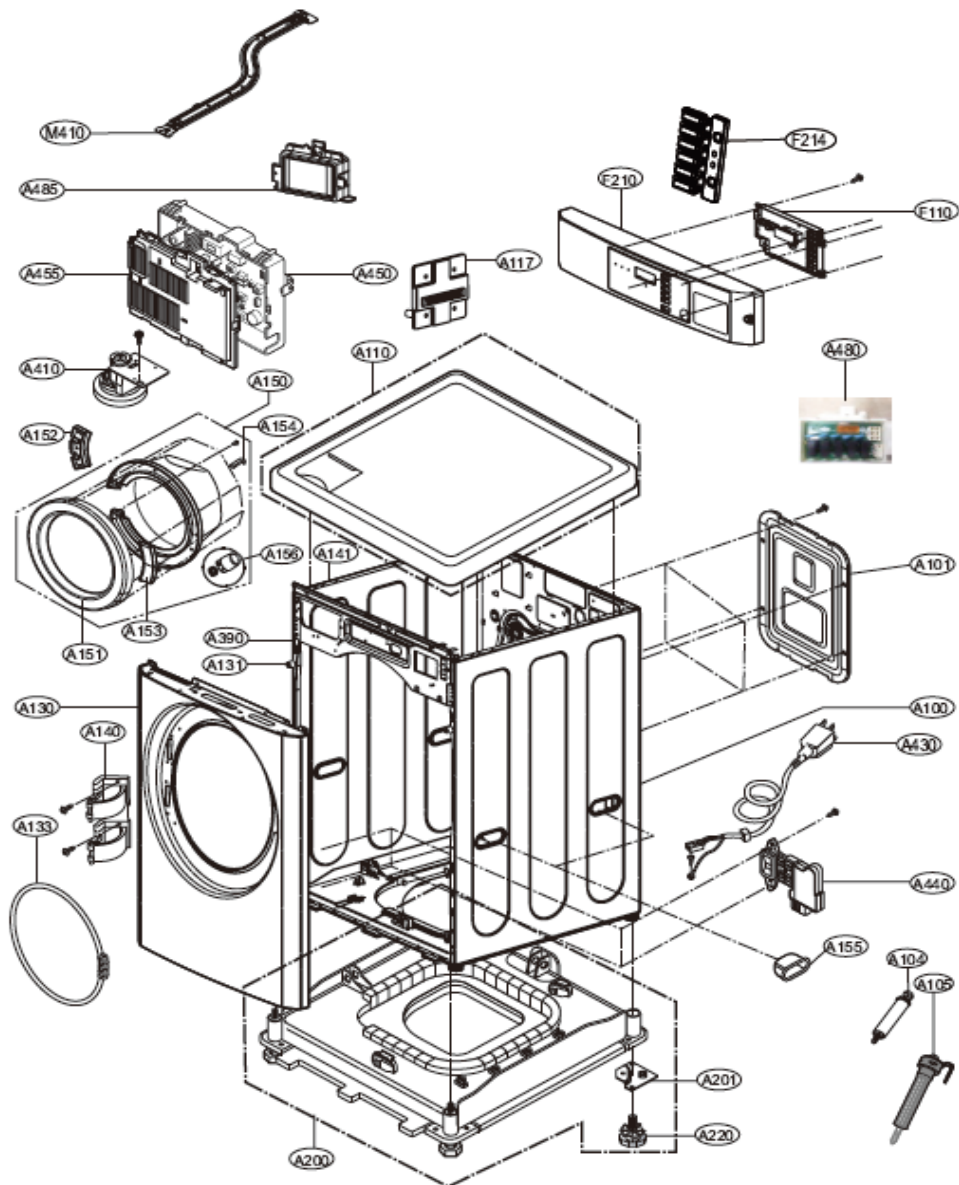
Titan-C (FH0C7FD*/TCW2013*S2)

CABINET & CONTROL PANEL ASSEMBLY - COIN TYPE



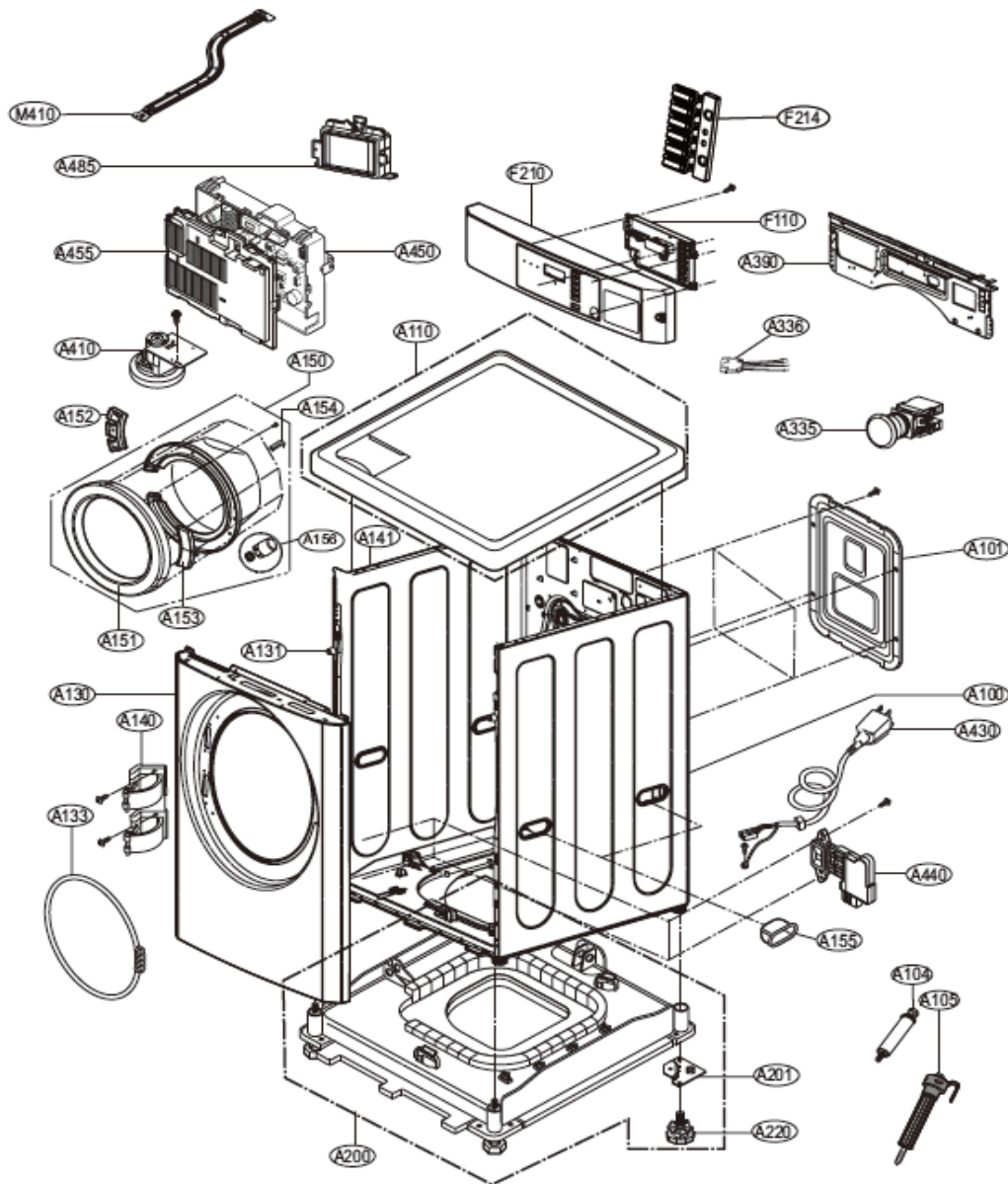
Titan-C (FH0C7FD*/TCW2013*S2)

CABINET & CONTROL PANEL ASSEMBLY - CARD TYPE



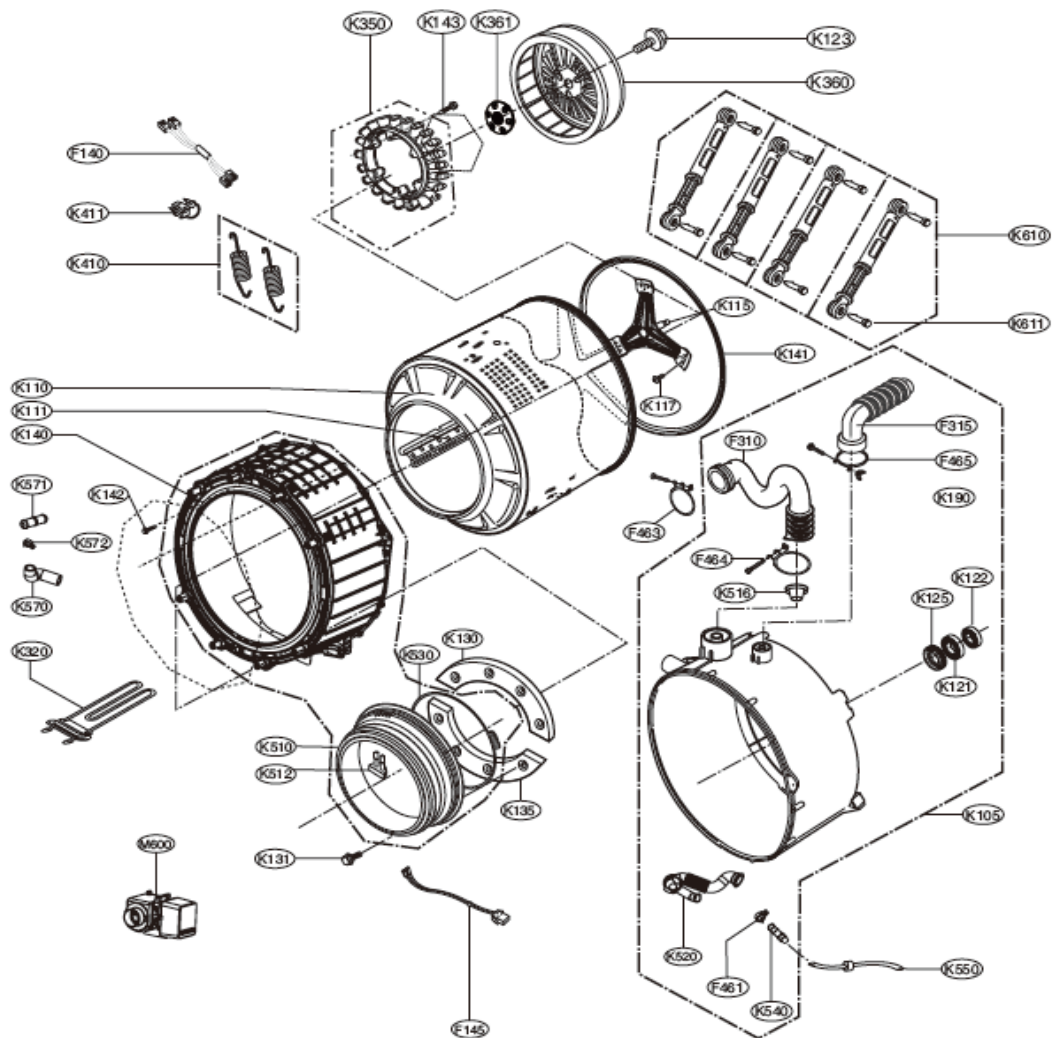
Titan-C (FH0C7FD*/TCW2013*S2)

CABINET & CONTROL PANEL ASSEMBLY - OPL TYPE



Titan-C (FH0C7FD*/TCW2013*S2)

DRUM & TUB ASSEMBLY

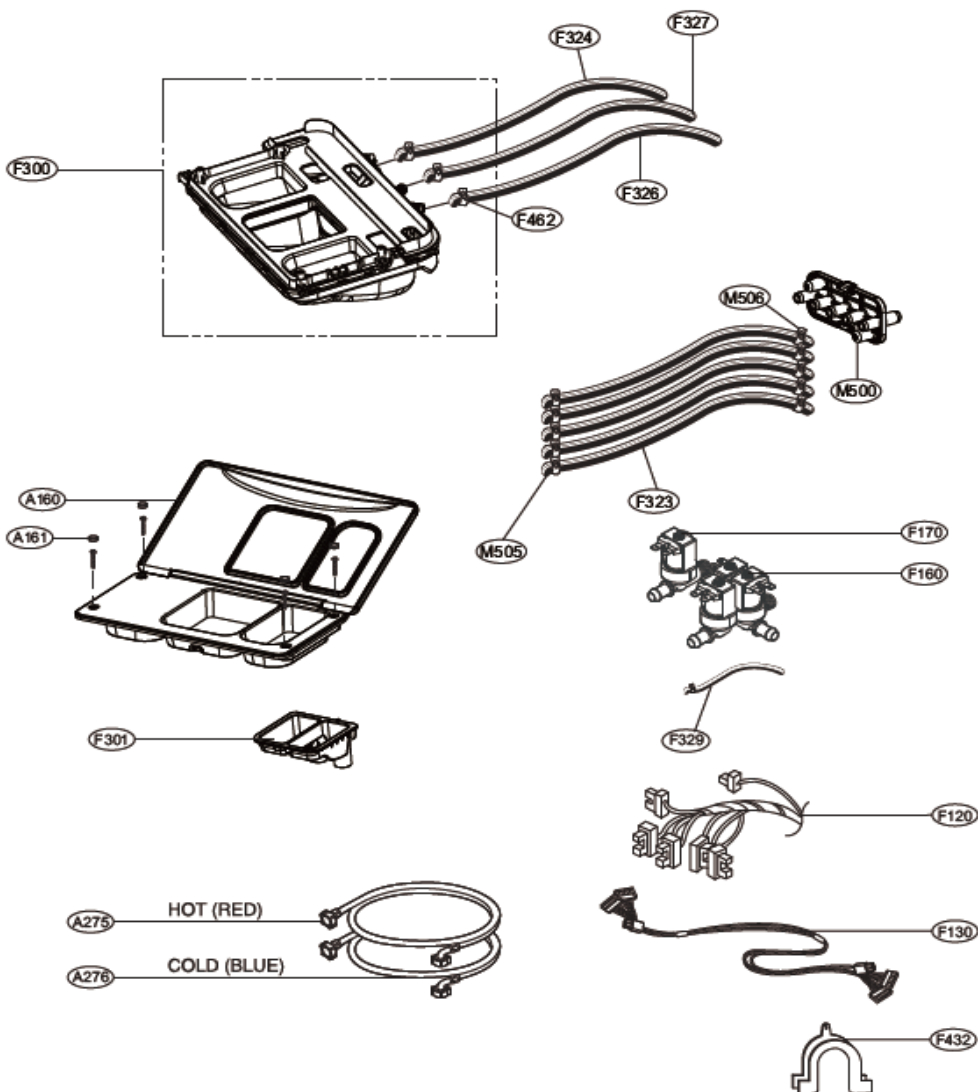


Commercial Product Parts List

Parts List: Washer Exploded View

Titan-C (FH0C7FD*/TCW2013*S2)

DISPENSER ASSEMBLY



Commercial Product Parts List

Parts List: Washer

Base Model Titan-C (FH0C7FD3.ASSEELC/TCW2013LS2)

※ Apart from the variation parts, other parts are identical to the Base Model.

Description	Part Name	SVC Loc
Manual Assembly,Owners	AFN76014037	*001
Cabinet Assembly	ABJ73607405	A100
Cover, Rear	3550ER1028A	A101
Bolt Assembly	FAA31690703	A104
Bolt Assembly	FAA31690705	A105
Plate Assembly,Top	AGU73748204	A110
Cover,Cabinet	MCK67688001	A130
Holder Assembly	AEJ33026601	A131
Clamp Assembly	ACA56078801	A133
Hinge Assembly	AEH71610404	A140
Holder Assembly	AEJ33026401	A141
Door Assembly	ADC71605805	A150
Frame,Door(Outer)	MDQ58112601	A151
Frame,Door(Inner)	MDQ58114101	A152
Handle	MEB58113701	A153
Locker,Hook	MFG62579001	A154
Handle	3650FA3489A	A155
Parts Assembly	AGM73610702	A156
Lid Assembly	AFG73189701	A160
Cap,Screw	MBL65796901	A161
Base Assembly,Cabinet	AAAN73931901	A200
Bracket,Base	4810ER3006A	A201
Leg Assembly	AFC72755401	A220
Accessory Assembly	AAA76517702	A275
Switch Assembly,Safety	EBF62015301	A335
Harness,Single	6877ER3003S	A336
Frame Assembly	ADV74166902	A390
Switch Assembly,Pressure	6601ER1006G	A410
Power Cord Assembly	6411ER1006V	A430
Switch Assembly,Locker	EBF61315802	A440
PCB Assembly,Main	EBR81121309	A450
Cover,Protect	3550ER1032A	A455
PCB Assembly,Sub	EBR81083402	A480

Description	Part Name	SVC Loc
Filter Assembly	EAM62891002	A485
PCB Assembly,Display	EBR64458140	F110
Harness,Multi	6877ER1047Z	F120
Harness,Multi	6850EC2007J	F130
Harness,Multi	6877ER1016P	F140
Harness,Single	6877ER3003R	F145
Valve Assembly,Inlet	5221ER1003A	F160
Valve Assembly,Inlet	5220FR2006H	F170
Panel Assembly,Control	AGL74078524	F210
Button,Control	MBG62329501	F214
Dispenser Assembly	ACZ55907503	F300
Box Assembly,Detergent	AAZ68565002	F301
Bellows	4738ER1004B	F310
Bellows	4738ER2002A	F315
Hose,Inlet	5214ER4003Z	F323
Hose,Inlet	5214ER4001B	F324
Hose,Inlet	5214ER4001A	F326
Hose,Inlet	5214ER4001R	F327
Hose,Inlet	5214ER4003F	F329
Clamp	4861FR3068E	F461
Clamp	4861FR3068A	F462
Clamp	4860FR3092D	F463
Clamp	4860FR3092C	F464
Clamp	4860FR3092D	F465
Tube Assembly,Outer	AJQ73314204	K105
Tube Assembly,Drum(Inner)	AJQ73314402	K110
Lifter	MFE61881101	K111
Spider	MHW61901302	K115
Screw,Customized	4000FR4031C	K117
Bearing,Ball	MAP61913708	K121
Bearing,Ball	MAP61913709	K122
Bolt Assembly	4040FR4051C	K123

Description	Part Name	SVC Loc
Gasket	MDS62058301	K125
Balance Weight	MAG62142901	K130
Screw,Customized	1SZZER4002A	K131
Balance Weight	MAG62142801	K135
Cover,Tube	MCK66703601	K140
Gasket	4036ER4001E	K141
Parts Assembly	383EER3001W	K142
Bolt,Common	4011FA4353B	K143
Float Assembly	4769ER4001B	K190
Heater Assembly	AEG33121501	K320
Stator Assembly	AJB73816005	K350
Rotor Assembly	AHL72914402	K360
Bush,Rotor	MBF62845101	K361
Spring,Hinge	MHY62805901	K410
Holder	4930FR3040A	K411
Gasket	MDS47123611	K510
Connector,Nozzle	MCD62387102	K512
Guide,Water	4974ER3008A	K516
Bellows	MAR62181901	K520
Clamp Assembly	4861ER2001J	K530
Chamber,Air	3504ER3002A	K540
Hose,Inlet	MEJ62305103	K550
Hose,Connector	5214FR4058Y	K570
Connector,Hose	4932ER4007B	K571
Clamp	4861FR3068A	K572
Parts Assembly	383EER3001J	K610
Hinge	4774FR3118B	K611
Frame,Body	MDC63560501	M410
Connector,Hose	MCD62787301	M500
Clamp	4861FR3068P	M505
Clamp	4861FR3068K	M506
Motor Assembly,AC,Drain	EAU62145601	M600

Titan-C Variations
(FH0C7FD4/TCW2013QS2)

Description	Part Name	SVC Loc
Plate Assembly,Top	AGU73748206	A110
PCB Assembly,Main	EBR81121309	A450
PCB Assembly,Display	EBR64458139	F110
Harness,Multi	6877ER1047Y	F120
Panel Assembly,Control	AGL74078521	F210

※ No separate Card model



Commercial Product Parts List

Parts List: Washer

Base Model Titan-C (F10C7FD3/TCW2013LS)

※ Apart from the variation parts, other parts are identical to the Base Model.

Description	Part Name	SVC Loc
Manual Assembly,Owners	AFN76014004	*001
Cabinet Assembly	ABJ73607405	A100
Cover,Rear	3550ER1028A	A101
Bolt Assembly	FAA31690703	A104
Bolt Assembly	FAA31690705	A105
Plate Assembly,Top	AGU73748204	A110
Cover,Cabinet	MCK67688001	A130
Holder Assembly	AEJ33026601	A131
Clamp Assembly	ACA56078801	A133
Hinge Assembly	AEH71610404	A140
Holder Assembly	AEJ33026401	A141
Door Assembly	ADC71605805	A150
Frame,Door(Outer)	MDQ58112601	A151
Frame,Door(Inner)	MDQ58114101	A152
Handle	MEB58113701	A153
Locker,Hook	MFG62579001	A154
Handle	3650FA3489A	A155
Parts Assembly	AGM73610702	A156
Lid Assembly	AFG73189701	A160
Cap,Screw	MBL65796901	A161
Base Assembly,Cabinet	AAAN73931901	A200
Bracket,Base	4810ER3006A	A201
Leg Assembly	AFC72755401	A220
Hose,Inlet	5215FD3715U	A275
Hose,Inlet	5215FD3715V	A276
Switch Assembly,Safety	EBF62015301	A335
Harness,Single	6877ER3003S	A336
Frame Assembly	ADV74166902	A390
Switch Assembly,Pressure	6601ER1006G	A410
Power Cord Assembly	6411ER1006V	A430
Switch Assembly,Locker	EBF61315802	A440
PCB Assembly,Main	EBR77451901	A450
Cover,Protect	3550ER1032A	A455

Description	Part Name	SVC Loc
Filter Assembly	EAM62891001	A485
PCB Assembly,Display	EBR64458112	F110
Harness,Multi	6877ER1047M	F120
Harness,Multi	6850EC2007J	F130
Harness,Multi	6877ER1016M	F140
Harness,Single	6877ER3003R	F145
Valve Assembly,Inlet	5221ER1003A	F160
Valve Assembly,Inlet	5220FR2006H	F170
Panel Assembly,Control	AGL74078510	F210
Button,Control	MBG62329501	F214
Dispenser Assembly	ACZ55907503	F300
Box Assembly,Detergent	AAZ68565002	F301
Bellows	4738ER1004B	F310
Bellows	4738ER2002A	F315
Hose,Inlet	5214ER4003Z	F323
Hose,Inlet	5214ER4001B	F324
Hose,Inlet	5214ER4001A	F326
Hose,Inlet	5214ER4001R	F327
Hose,Inlet	5214ER4003F	F329
Clamp	4861FR3068E	F461
Clamp	4861FR3068A	F462
Clamp	4860FR3092D	F463
Clamp	4860FR3092C	F464
Clamp	4860FR3092D	F465
Tub Assembly,Outer	AJQ73314204	K105
Tub Assembly,Drum(Inner)	AJQ73314402	K110
Lifter	MFE61881101	K111
Spider	MHW61901302	K115
Screw,Customized	4000FR4031C	K117
Bearing,Ball	MAP61913708	K121
Bearing,Ball	MAP61913709	K122
Bolt Assembly	4040FR4051C	K123
Gasket	MD562058301	K125
Balance Weight	MAG62142901	K130

Description	Part Name	SVC Loc
Screw,Customized	1SZ2ER4002A	K131
Balance Weight	MAG62142801	K135
Cover,Tub	MCK66703601	K140
Gasket	4036ER4001E	K141
Parts Assembly	383EER3001W	K142
Bolt,Common	4011FA4353B	K143
Float Assembly	4769ER4001B	K190
Heater Assembly	AEG33121501	K320
Heater Assembly	AEG33121528	K320
Stator Assembly	4417EA1002Z	K350
Sensor Assembly	6501KW2002A	K351
Rotor Assembly	AHL72914402	K360
Bush,Rotor	MBF62845101	K361
Spring,Hinge	MHY62805901	K410
Holder	4930FR3040A	K411
Gasket	MDS47123611	K510
Connector,Nozzle	MCD62387102	K512
Guide,Water	4974ER3008A	K516
Bellows	MAR62181901	K520
Clamp Assembly	4861ER2001J	K530
Chamber,Air	3504ER3002A	K540
Hose,Inlet	MEJ62305103	K550
Hose,Connector	5214FR4058Y	K570
Connector,Hose	4932ER4007B	K571
Clamp	4861FR3068A	K572
Parts Assembly	383EER3001J	K610
Hinge	4774FR3118B	K611
Frame,Body	MDQ63560501	M410
Connector,Hose	MCD62787301	M500
Clamp	4861FR3068P	M505
Clamp	4861FR3068K	M506
Motor Assembly,AC,Drain	EAU62145601	M600

Titan-C Variations
(F10C7FD4/TCW2013QS)

Description	Part Name	SVC Loc
Plate Assembly,Top	AGU73748206	A110
PCB Assembly,Main	EBR77451901	A450
PCB Assembly,Display	EBR64458113	F110
Harness,Multi	6877ER1047L	F120
Panel Assembly,Control	AGL74078501	F210

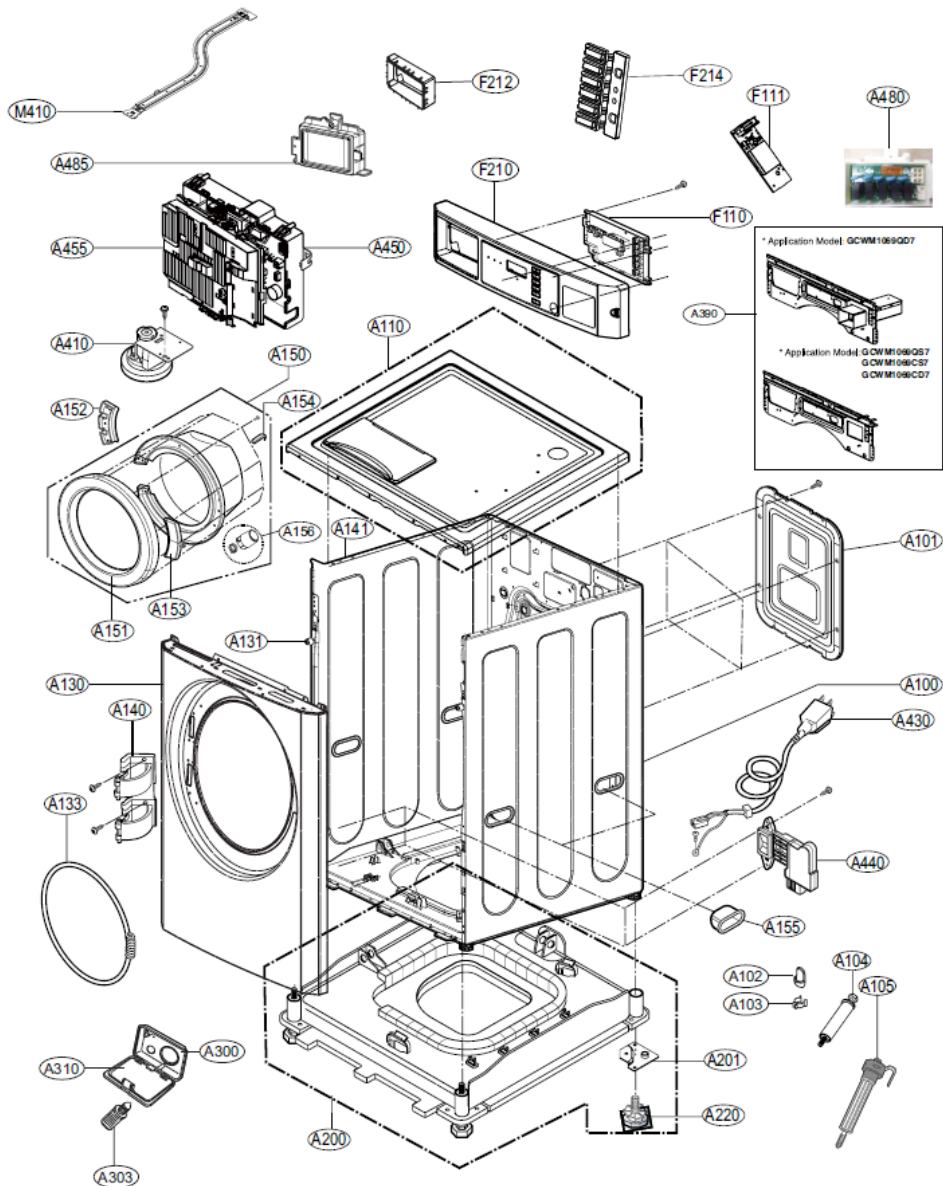
Titan-C Variations
(F10C7FD7/TCW2013CS)

Description	Part Name	SVC Loc
Cover,Guide	MCK62998501	A117
PCB Assembly,Display	EBR64458113	F110
Harness,Multi	6877ER1047L	F120
Panel Assembly,Control	AGL74078509	F210



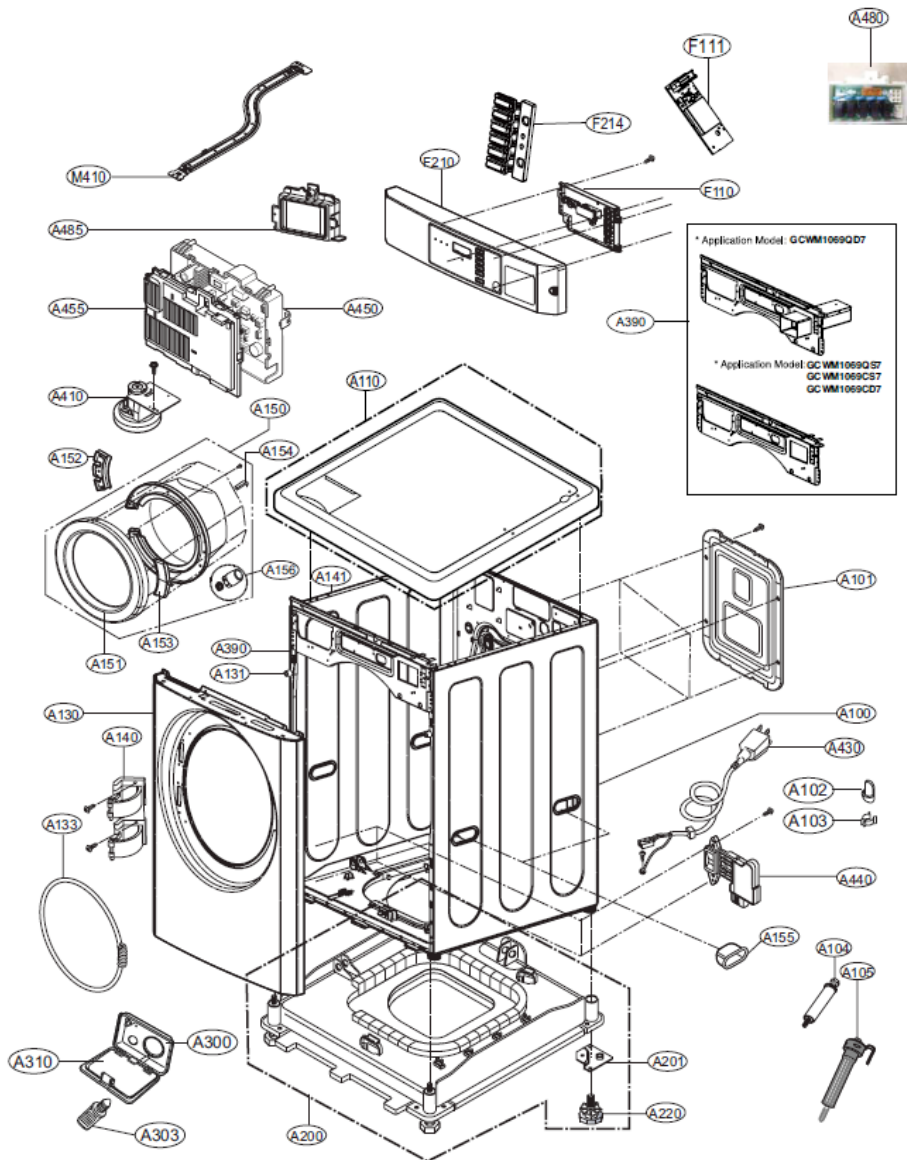
Titan-C Max(FH0C7FD*M/TCWM2013**3)

CABINET & CONTROL PANEL ASSEMBLY (FOR STACK MODEL)



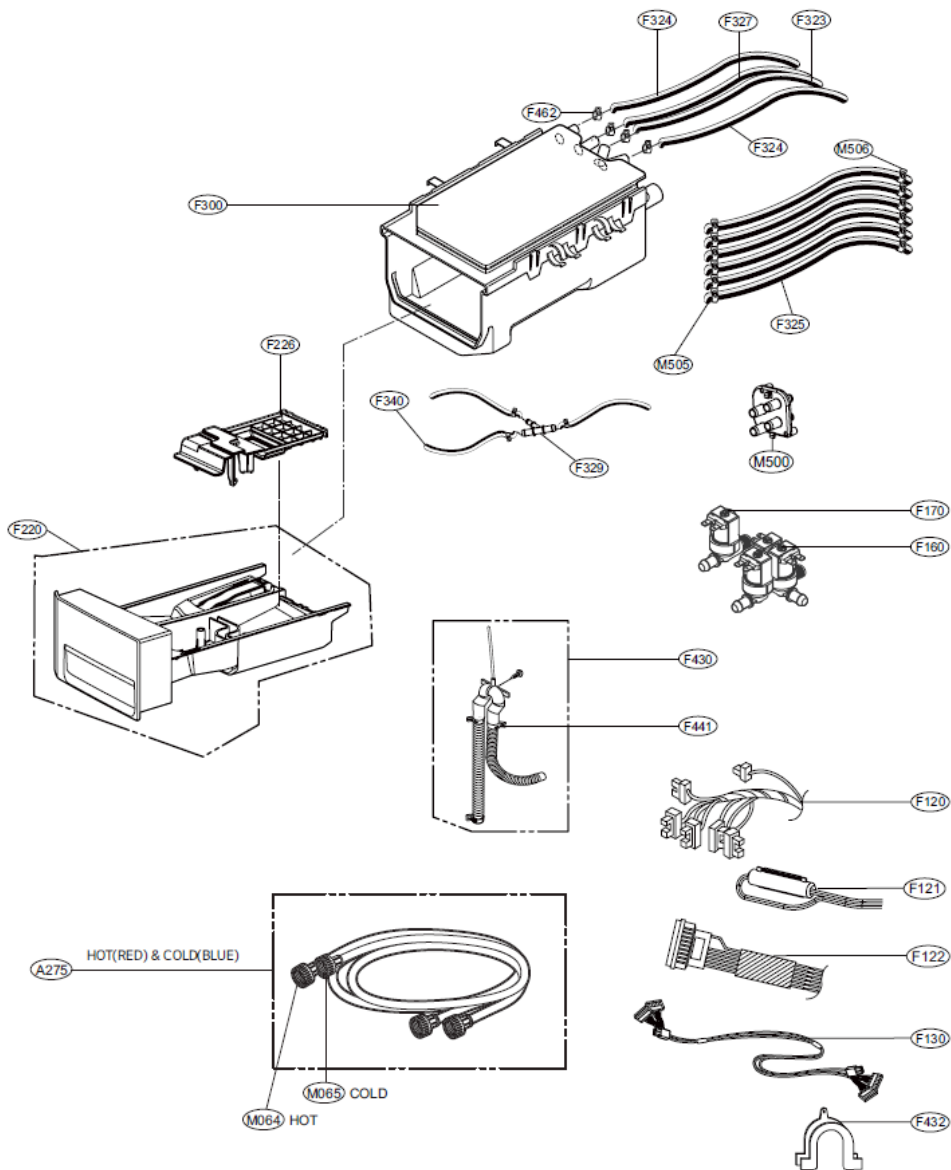
Titan-C Max(FH0C7FD*M/TCWM2013**3)

CABINET & CONTROL PANEL ASSEMBLY (FOR SINGLE MODEL)



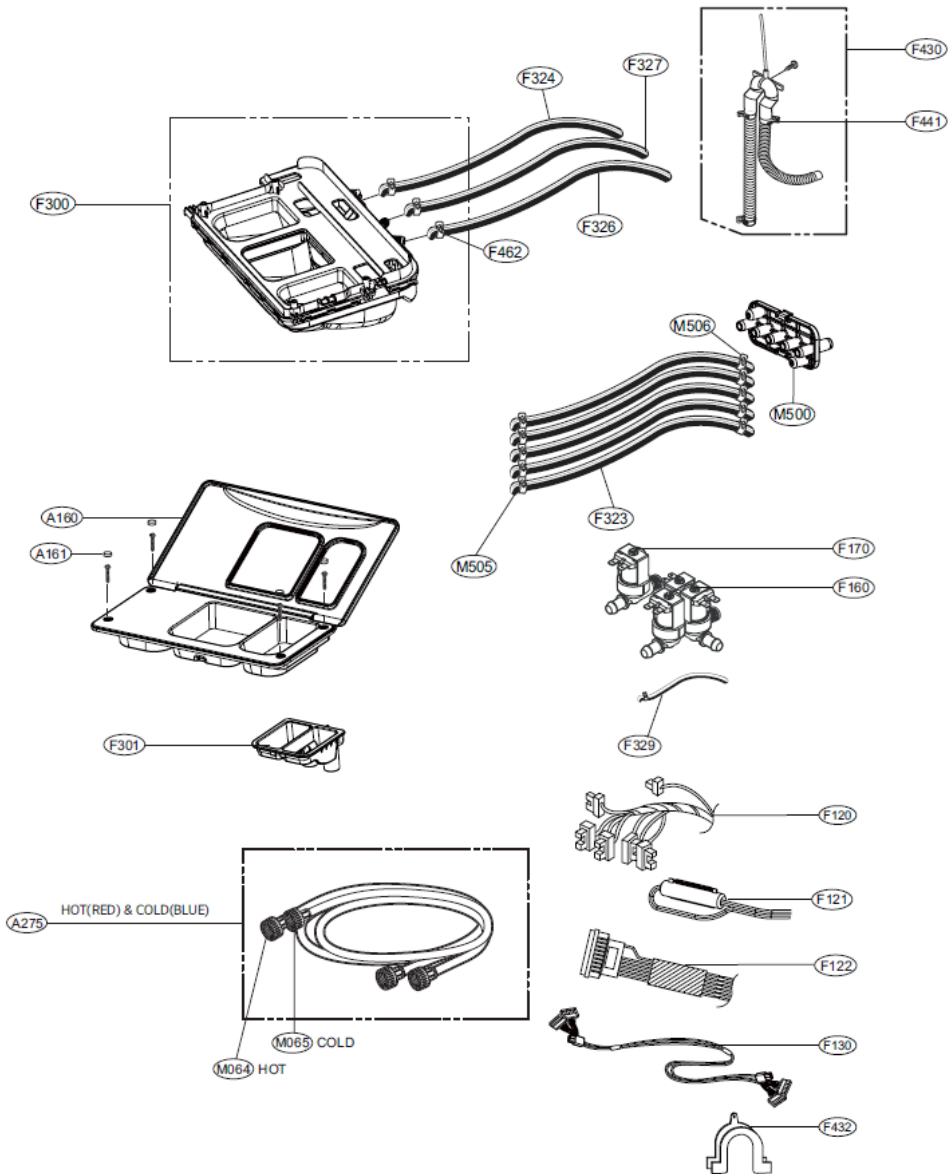
Titan-C Max(FH0C7FD*M/TCWM2013**3)

DISPENSER ASSEMBLY (FOR STACK MODEL)



Titan-C Max(FH0C7FD*M/TCWM2013**3)

DISPENSER ASSEMBLY (FOR SINGLE MODEL)



Commercial Product Parts List

Parts List: Washer

Base Model Titan-C Max (FH0C7FD6M.ASSELC/TCWM2013CD3)

※ Apart from the variation parts, other parts are identical to the Base Model.

Description	Part Name	SVC Loc
Manual Assembly,Owners	AFN30046305	*001
Cabinet Assembly	ABJ73607409	A100
Cover,Rear	3550ER1028A	A101
Bush	4830ER3001A	A102
Holder	4930FR3151A	A103
Bolt Assembly	FAA31690703	A104
Bolt Assembly	FAA31690705	A105
Plate Assembly,Top	AGU73748208	A110
Cover,Cabinet	MCK67688002	A130
Holder Assembly	AEJ33026601	A131
Clamp Assembly	ACA56078801	A133
Hinge Assembly	AEH71610404	A140
Holder Assembly	AEJ33026401	A141
Door Assembly	ADC71605805	A150
Frame,Door(Outer)	MDQ58112601	A151
Frame,Door(Inner)	MDQ58114101	A152
Handle	MEB58113701	A153
Locker,Hook	MFG62579001	A154
Handle	3650FA3489A	A155
Parts Assembly	AGM73610703	A156
Base Assembly,Cabinet	AAH73931904	A200
Bracket,Base	4810ER3006A	A201
Leg Assembly	AFC72755401	A220
Accessory Assembly	AAA76517702	A275
Case	MBN64623001	A300
Cap,Drain Hose	5006EN3015A	A303
Cap,Cover	5006ER2012E	A310
Frame Assembly	ADV74166902	A390
Switch Assembly,Pressure	6601ER1006G	A410
Power Cord Assembly	6411ER1006V	A430
Switch Assembly,Locker	EBF61315802	A440
PCB Assembly,Main	EBR86778409	A450
Cover,Protect	3550ER1032A	A455
PCB Assembly,Sub	EBR81083402	A480
Filter Assembly	EAM60991314	A485
PCB Assembly,Display	EBR83442873	F110
PCB Assembly,Wifi	EBR83227508	F111
Harness,Multi	EAD64005809	F120
Harness,Single	6877ER3003Y	F121
Harness,Single	6877ER3003V	F122

Description	Part Name	SVC Loc
Harness,Multi	6850EC2007M	F130
Harness,Multi	6877ER1016Y	F140
Harness,Single	EAD64545808	F145
Valve Assembly,Inlet	5221ER1003M	F160
Valve Assembly,Inlet	5220FR2006W	F170
Panel Assembly,Control	AGL74078548	F210
Guide,Cover	MEA66338501	F212
Button,Control	MBG62329501	F214
Panel Assembly,Drawer	AGL73137018	F220
Cap,Siphone	MBL62620901	F226
Dispenser Assembly	4925ER1021C	F300
Bellows	4738ER1004B	F310
Bellows	4738ER2002A	F315
Hose,Inlet	5214ER4003Z	F323
Hose,Inlet	5214ER4001B	F324
Hose,Inlet	5214ER4003V	F325
Hose,Inlet	5214ER4001X	F327
Connector,Hose	4932ER4008B	F329
Hose,Inlet	5214ER4003F	F340
Hose,Connector	5214FR4006G	F342
Hose,Connector	MEJ62484603	F360
Hose,Connector	MEJ62484604	F365
Hose Assembly,Drain	5215ER2002W	F430
Hanger Assembly,Pivot	3W50712A	F432
Clamp	4861FR3068C	F441
Clamp	4861FR3068E	F461
Clamp	4861FR3068E	F461
Clamp	4861FR3068A	F462
Clamp	4860FR3092D	F463
Clamp	4860FR3092C	F464
Clamp	4860FR3092D	F465
Tub Assembly,Outer	AJQ73314209	K105
Tub Assembly,Drum(Inner)	AJQ73314402	K110
Lifter	MFE61881101	K111
Spider	MHW61901302	K115
Screw,Customized	4000FR4031C	K117
Bearing,Ball	4280FR4048N	K121
Bearing,Ball	4280FR4048Z	K122
Bolt Assembly	4040FR4051C	K123
Gasket	MD562058301	K125

Description	Part Name	SVC Loc
Balance Weight	MAG62142901	K130
Screw,Customized	1SZ2ER4002A	K131
Balance Weight	MAG62142801	K135
Cover,Tub	MCK66703601	K140
Gasket	4036ER4001E	K141
Parts Assembly	383EER3001W	K142
Bolt,Common	4011FA4353B	K143
Sensor Assembly	EBD48922806	K150
Float Assembly	4769ER4001B	K190
Heater Assembly	AEG33121501	K320
Pump Assembly,Drain	AHA75693409	K340
Screw,Customized	4W50404B	K349
Stator Assembly	AJB73816005	K350
Rotor Assembly	AHL72914402	K360
Bush,Rotor	MBF62845101	K361
Spring,Hinge	MHY62805901	K410
Holder	4930FR3040A	K411
Gasket	MD565736914	K510
Connector,Nozzle	MCD62387102	K512
Guide,Water	4974ER3008A	K516
Bellows	4738ER1002A	K520
Clamp Assembly	4861ER2001J	K530
Chamber,Air	3504ER3002A	K540
Hose,Inlet	MEJ62305103	K550
Hose,Connector	5214FR4058Y	K570
Connector,Hose	4932ER4007B	K571
Clamp	4861FR3068A	K572
Parts Assembly	383EER3001J	K610
Hinge	4774FR3118B	K611
Hose,Inlet	5215FD3715V	M064
Hose,Inlet	5215FD3715U	M065
Frame,Body	MDQ63560503	M410
Connector,Hose	MCD62787301	M500
Clamp	4861FR3068P	M505
Clamp	4861FR3068K	M506



Commercial Product Parts List

Parts List: Washer

Base Model Titan-C Max (FH0C7FD7M.ASSEELC/TCWM2013CS3)

※ Apart from the variation parts, other parts are identical to the Base Model.

Description	Part Name	SVC Loc
Manual Assembly,Owners	AFN30046305	*001
Cabinet Assembly	ABJ73607409	A100
Cover,Rear	3550ER1028A	A101
Bush	4830ER3001A	A102
Holder	4930FR3151A	A103
Bolt Assembly	FAA31690703	A104
Bolt Assembly	FAA31690705	A105
Plate Assembly,Top	AGU73748204	A110
Cover,Cabinet	MCK67688002	A130
Holder Assembly	AEJ33026601	A131
Clamp Assembly	ACA56078801	A133
Hinge Assembly	AEH71610404	A140
Holder Assembly	AEJ33026401	A141
Door Assembly	ADC71605805	A150
Frame,Door(Outer)	MDQ58112601	A151
Frame,Door(Inner)	MDQ58114101	A152
Handle	MEB58113701	A153
Locker,Hook	MFG62579001	A154
Handle	3650FA3489A	A155
Parts Assembly	AGM73610703	A156
Lid Assembly	AFG73189701	A160
Cap,Screw	MBL65796901	A161
Base Assembly,Cabinet	AAAN73931904	A200
Bracket,Base	4810ER3006A	A201
Leg Assembly	AFC72755401	A220
Accessory Assembly	AAA76517702	A275
Case	MBN64623001	A300
Cap,Drain Hose	5006EN3015A	A303
Cap,Cover	5006ER2012E	A310
Frame Assembly	ADV74166902	A390
Switch Assembly,Pressure	6601ER1006G	A410
Power Cord Assembly	6411ER1006V	A430
Switch Assembly,Locker	EBF61315802	A440
PCB Assembly,Main	EBR86778409	A450
Cover,Protect	3550ER1032A	A455
PCB Assembly,Sub	EBR81083402	A480
Filter Assembly	EAM60991314	A485
PCB Assembly,Display	EBR83442874	F110
PCB Assembly,Wifi	EBR83227508	F111
Harness,Multi	EAD64005809	F120

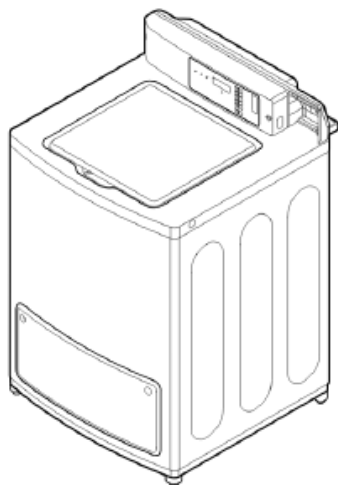
Description	Part Name	SVC Loc
Harness,Single	6877ER3003Y	F121
Harness,Single	6877ER3003V	F122
Harness,Multi	6850EC2007M	F130
Harness,Multi	6877ER1016Y	F140
Harness,Single	EAD64545808	F145
Valve Assembly,Inlet	5221ER1003M	F160
Valve Assembly,Inlet	5220FR2006W	F170
Panel Assembly,Control	AGL74078549	F210
Button,Control	MBG62329501	F214
Dispenser Assembly	ACZ55907503	F300
Box Assembly,Detergent	AAZ68565002	F301
Bellows	4738ER1004B	F310
Bellows	4738ER2002A	F315
Hose,Inlet	5214ER4003Z	F323
Hose,Inlet	5214ER4001B	F324
Hose,Inlet	5214ER4001A	F326
Hose,Inlet	5214ER4001R	F327
Hose,Inlet	5214ER4003F	F329
Hose,Connector	5214FR4006G	F342
Hose,Connector	MEJ62484603	F360
Hose,Connector	MEJ62484604	F365
Hose Assembly,Drain	5215ER2002W	F430
Hanger Assembly,Pivot	3W50712A	F432
Clamp	4861FR3068C	F441
Clamp	4861FR3068E	F461
Clamp	4861FR3068E	F461
Clamp	4861FR3068A	F462
Clamp	4860FR3092D	F463
Clamp	4860FR3092C	F464
Clamp	4860FR3092D	F465
Tub Assembly,Outer	AJQ73314209	K105
Tub Assembly,Drum(Inner)	AJQ73314402	K110
Lifter	MFE61881101	K111
Spider	MHW61901302	K115
Screw,Customized	4000FR4031C	K117
Bearing,Ball	4280FR4048N	K121
Bearing,Ball	4280FR4048Z	K122
Bolt Assembly	4040FR4051C	K123
Gasket	MDS62058301	K125
Balance Weight	MAG62142901	K130

Description	Part Name	SVC Loc
Screw,Customized	1SZZER4002A	K131
Balance Weight	MAG62142801	K135
Cover,Tub	MCK66703601	K140
Gasket	4036ER4001E	K141
Parts Assembly	383EER3001W	K142
Bolt,Common	4011FA4353B	K143
Sensor Assembly	EBD48922806	K150
Float Assembly	4769ER4001B	K190
Heater Assembly	AEG33121501	K320
Pump Assembly,Drain	AHA75693409	K340
Screw,Customized	4W50404B	K349
Stator Assembly	AJB73816005	K350
Rotor Assembly	AHL72914402	K360
Bush,Rotor	MBF62845101	K361
Spring,Hinge	MHY62805901	K410
Holder	4930FR3040A	K411
Gasket	MDS65736914	K510
Connector,Nozzle	MCD62387102	K512
Guide,Water	4974ER3008A	K516
Bellows	4738ER1002A	K520
Clamp Assembly	4861ER2001J	K530
Chamber,Air	3504ER3002A	K540
Hose,Inlet	MEJ62305103	K550
Hose,Connector	5214FR4058Y	K570
Connector,Hose	4932ER4007B	K571
Clamp	4861FR3068A	K572
Parts Assembly	383EER3001J	K610
Hinge	4774FR3118B	K611
Hose,Inlet	5215FD3715V	M064
Hose,Inlet	5215FD3715U	M065
Frame,Body	MDQ63560503	M410
Connector,Hose	MCD62787301	M500
Clamp	4861FR3068P	M505
Clamp	4861FR3068K	M506

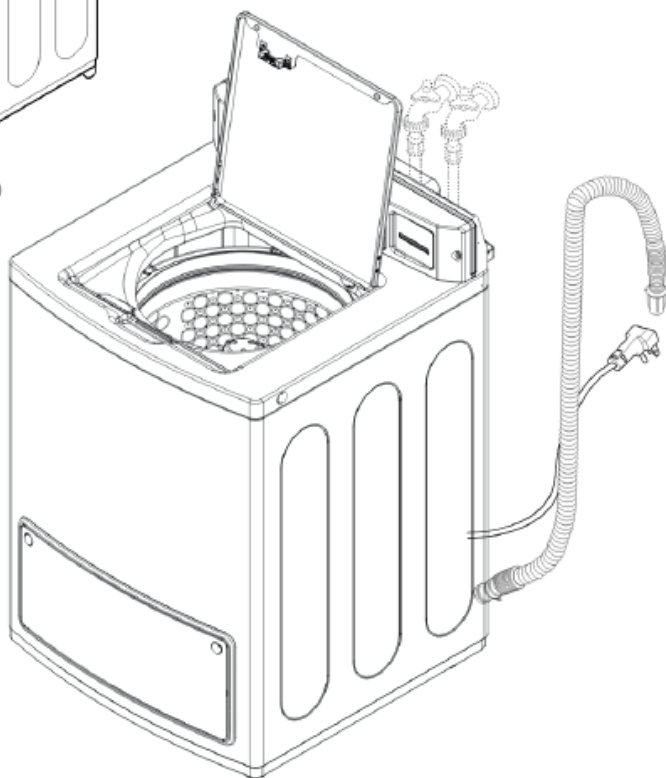


Tethys-C Top Loader (T1001E*/CTD27TS*RW)

11-1. EXPLODED VIEW OF TOP COVER ASSEMBLY



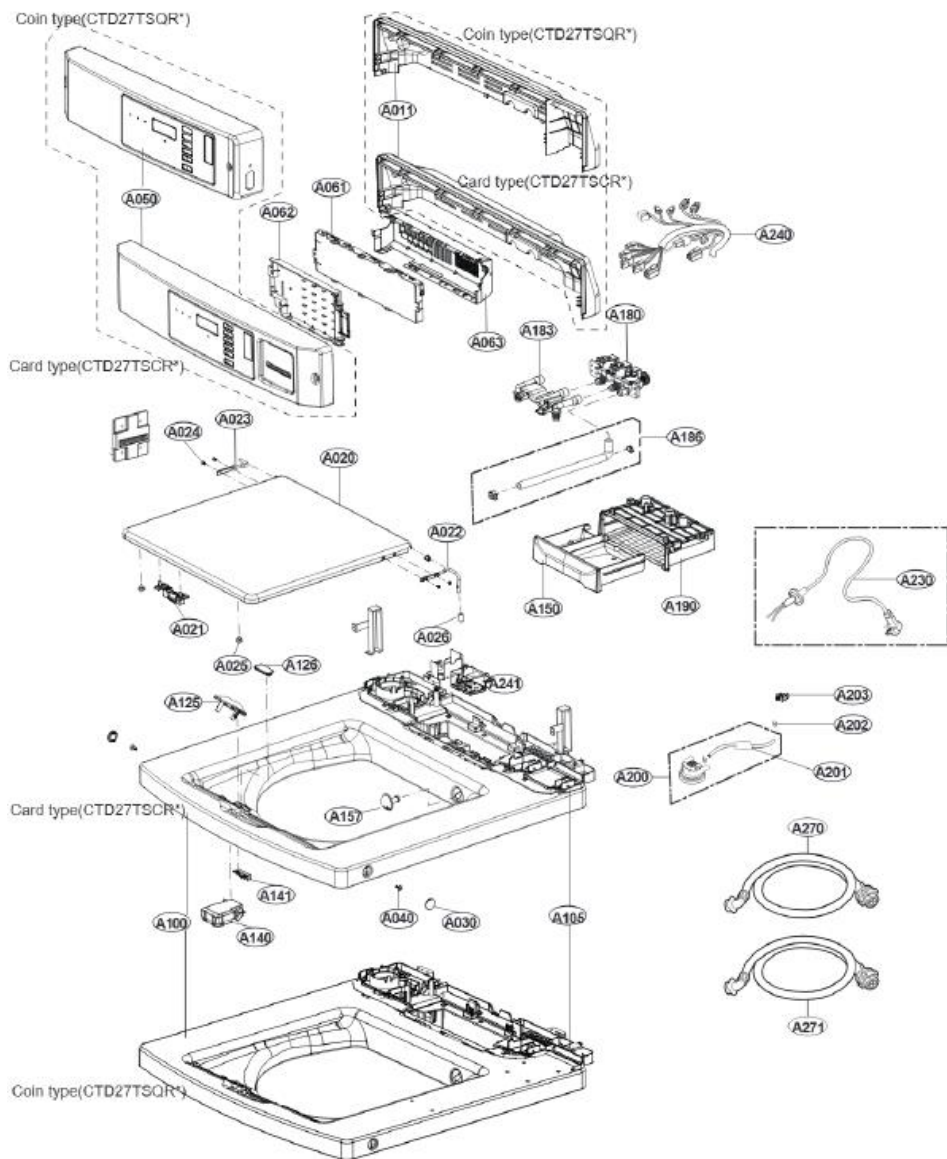
Coin type(CTD27TSQR*)



Card type(CTD27TSR*)

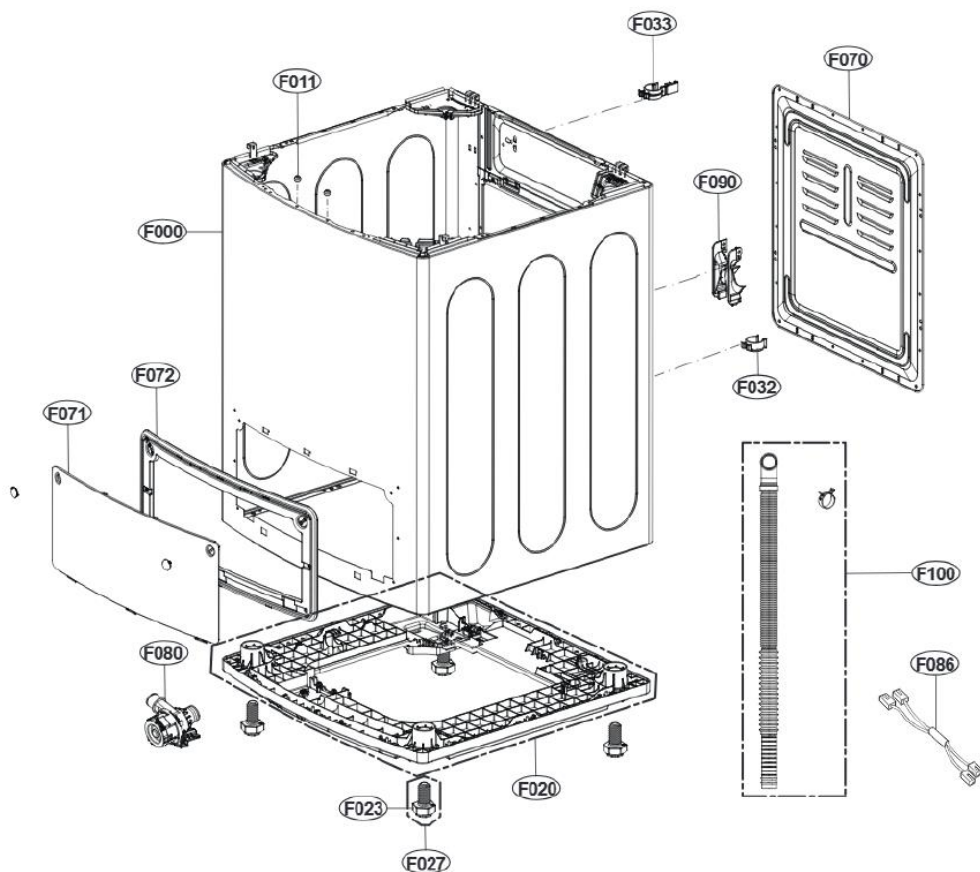
Tethys-C Top Loader (T1001E*J/CTD27TS*RW)

11-2. EXPLODED VIEW OF TOP COVER ASSEMBLY



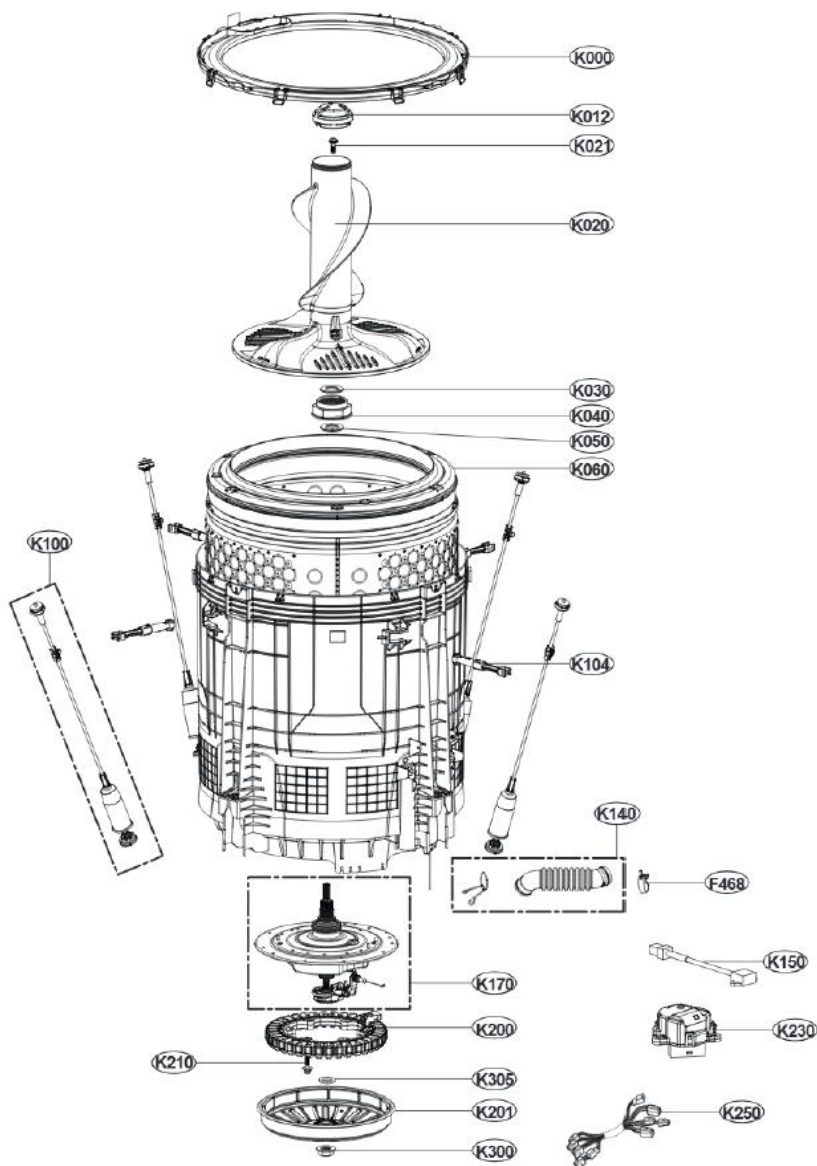
Tethys-C Top Loader (T1001E*J/CTD27TS*RW)

11-3. EXPLODED VIEW OF TUB ASSEMBLY



Tethys-C Top Loader (T1001E*J/CTD27TS*RW)

11-3. EXPLODED VIEW OF TUB ASSEMBLY



Commercial Product Parts List

Parts List: Washer

Base Model Tethys-C Top Loader (T1001E3J.ABWEELC/CTD27TSCRW - Card)

※ Apart from the variation parts, other parts are identical to the Base Model.

Description	Part Name	SVC Loc
Panel,Rear	MGC66443501	A011
Lid,Out	MFD63003401	A020
Supporter,Lid	MJH66405801	A021
Hinge Assembly	AEH76195801	A022
Hinge Assembly	AEH76195802	A023
Screw,Customized	FAB35008201	A024
Screw,Customized	FAB35008201	A024
Damper,Lid	MCQ70897701	A025
Cap,Hinge	MBL68747101	A026
Cap,Screw	MBL68689901	A030
Screw,Customized	FAB33199206	A040
Panel Assembly,Control	AGL76633973	A050
PCB Assembly,Main	EBR39935702	A061
PCB Assembly,Display	EBR39935601	A062
Cover,Protect	MCK66959305	A063
Cover,Top	MCK71780901	A100
Case	MBN66576501	A105
Cover,Guide	MCK62185701	A125
Cover,Guide	MCK71861901	A126
Switch Assembly	EBF61674804	A140
Switch Assembly,LID	6601FA3675X	A141
Box,Detergent	MAY65797246	A150
Nozzle Assembly	AGB72932408	A157
Valve Assembly,Inlet	5221EA1001G	A180
Connector Assembly	ACJ73350404	A183
Hose,Inlet	MEJ62565304	A186
Housing Assembly, Detergent	AEN72910503	A190
Switch Assembly,Sensor	6501EA1001R	A200
Tube,Switch	5210FA3427J	A201
Clamp	3W40106R	A202

Description	Part Name	SVC Loc
Holder	MEG64119601	A203
Power Cord Assembly	EAD65611404	A230
Harness,Multi	EAD63954760	A240
Filter Assembly	6201EC2002V	A241
Hose,Inlet	5215FD3715V	A270
Hose,Inlet	5215FD3715U	A271
Cabinet Assembly	ABJ76757716	F000
Holder Assembly	AEJ33026401	F011
Base Assembly,Cabinet	AAN73431033	F020
Damper	5040FA4226G	F023
Leg Assembly	4263FA3933J	F027
Holder	4930EA3002A	F032
Holder	4930EA3002F	F032
Holder	MEG64858802	F033
Cover,Rear	MCK67652501	F070
Cover,Rear	MCK67652507	F070
Cover,Front	MCK71814801	F071
Guide,Cover	MEA66391501	F072
Pump Assembly,Drain	AHA75673403	F080
Harness,Single	EAD64205502	F086
Connector,Drain Hose	MCD62647002	F090
Hose Assembly,Drain	AEM73732920	F100
Clamp,Hose	MBU6225409	F468
Cover,Tub	MCK71474701	K000
Cap Assembly,Pulsator	ABN76543301	K012
Pulsator Assembly	AGZ73571301	K020
Screw,Customized	FAB30598601	K021
Washer,Common	FAF3036920J	K030
Nut,Common	4020FA4208J	K040
Nut,Common	4020FA4208V	K040

Description	Part Name	SVC Loc
Washer,Common	4040FA4045C	K050
Tub Assembly,Inner	AJQ75294806	K060
Suspension Assembly	AJK73431014	K100
Damper Assembly,Friction	ACV73790001	K104
Bellows Assembly	AAS73229407	K140
Sensor Assembly	EBD48922824	K150
Housing Assembly,Clutch Coupling	AEN75455407	K170
Stator Assembly,Combined	AJB76315028	K200
Stator Assembly,Combined	AJB76315036	K200
Rotor Assembly,Combined	AHL76195113	K201
Rotor Assembly,Combined	AHL76195123	K201
Bolt,Common	FAA30850703	K210
Motor Assembly,DC,Clutch	EAU63743301	K230
Motor Assembly,DC,Clutch	EAU64283201	K230
Harness,Multi	EAD64149717	K250
Nut,Common	FAD33190601	K300
Washer,Common	1WZZEA4002C	K305

Tethys-C Top Loader Variations (T1001E2J.ABWEELC/CTD27TSQRW - Coin)

Description	Part Name	SVC Loc
Panel,Rear	MGC66443502	A011
Panel Assembly,Control	AGL76633920	A050
Cover,Top	MCK71780902	A100
Case	MBN66576502	A105



Dryer

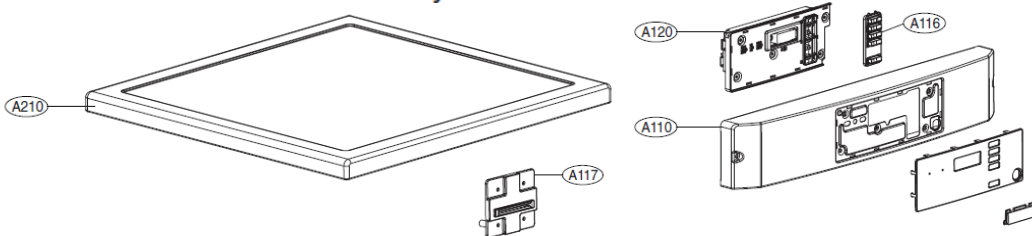


Commercial Product Parts List

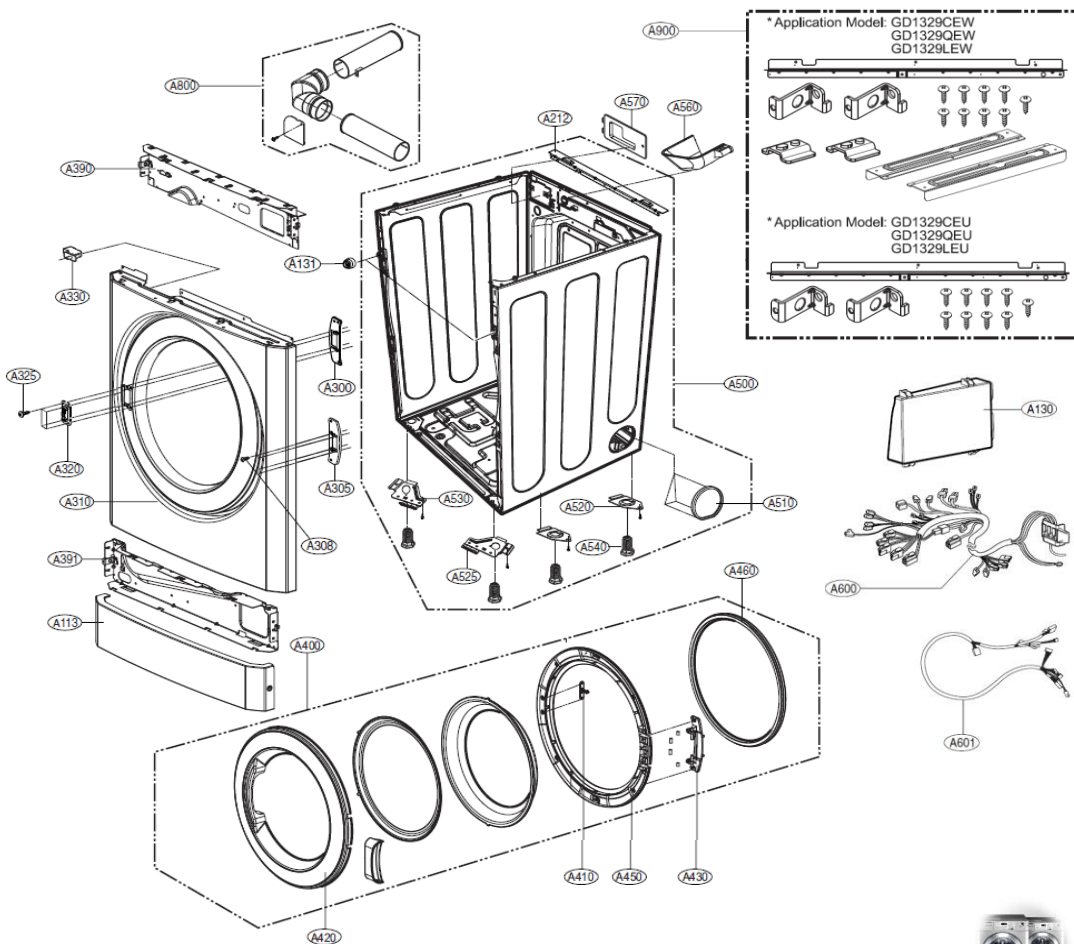
Parts List: Dryer Exploded View

Giant-C Plus Elec & Gas (R*1329***P/GDP1329****)

Control Panel & Plate Assembly



Cabinet & Door Assembly - Electric Stack Upper Type

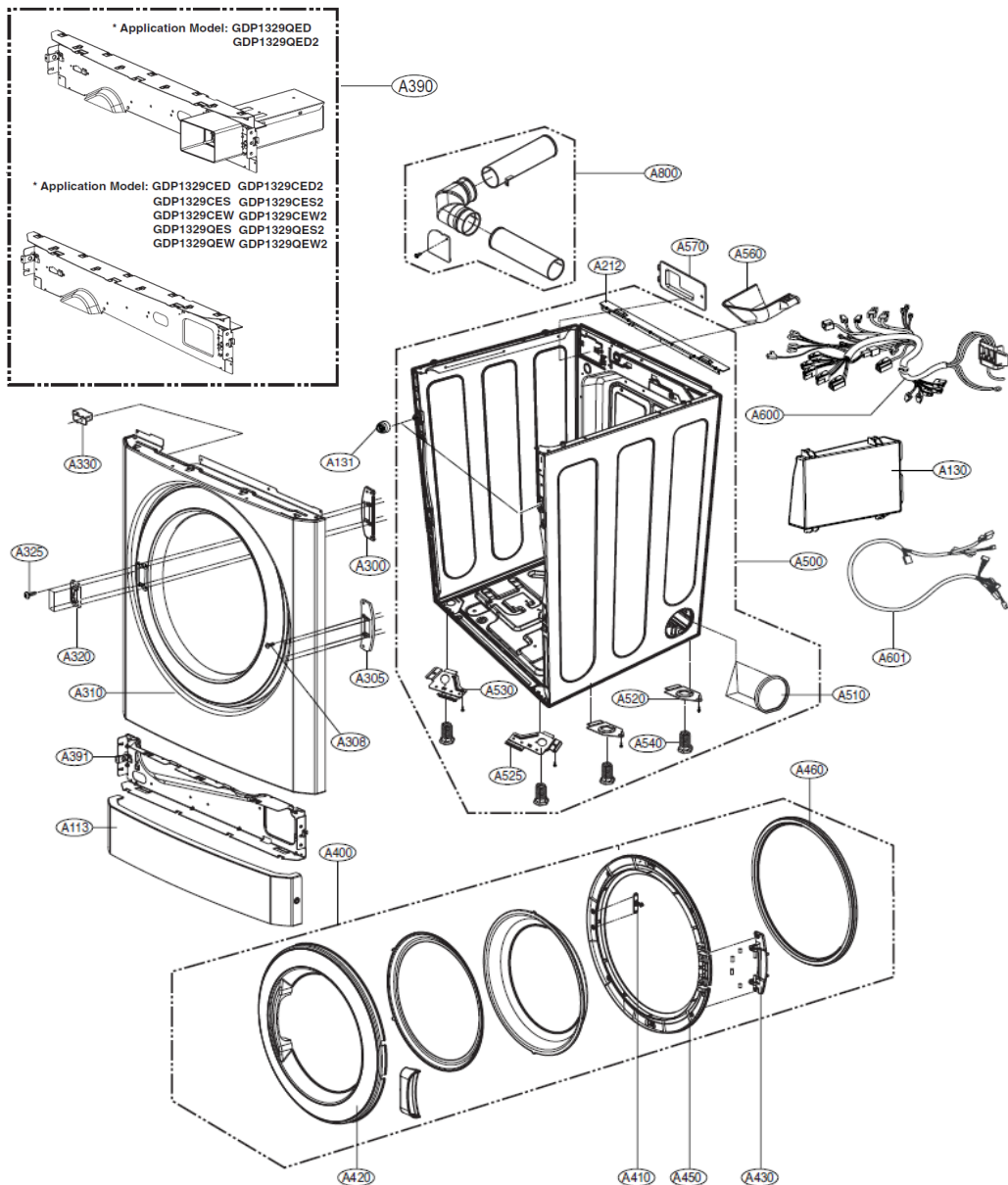


Commercial Product Parts List

Parts List: Dryer Exploded View

Giant-C Plus Elec & Gas (R*1329***P/GDP1329****)

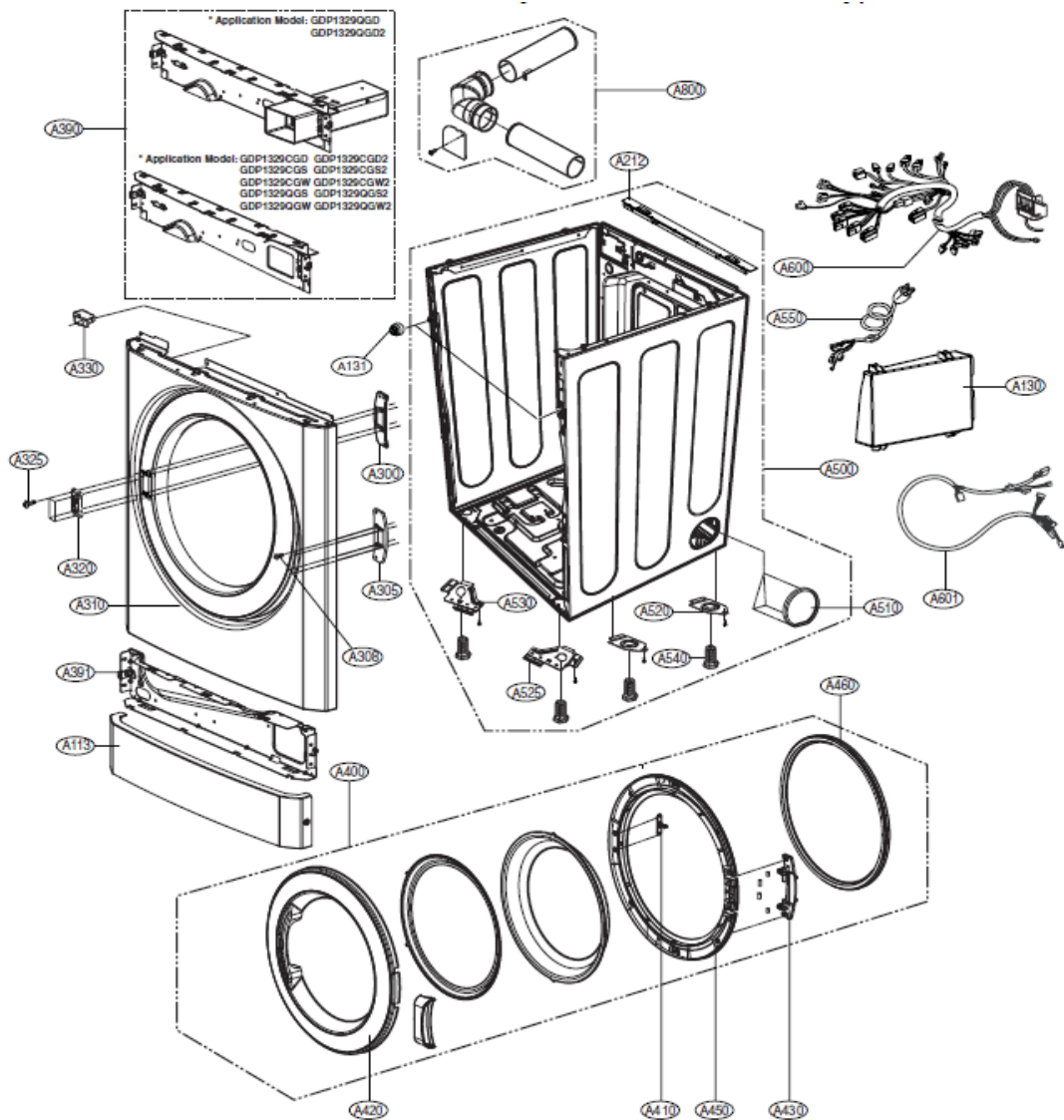
Cabinet & Door Assembly - Electric Stack Lower Type



Parts List: Dryer Exploded View

Giant-C Plus Elec & Gas (R*1329***P/GDP1329****)

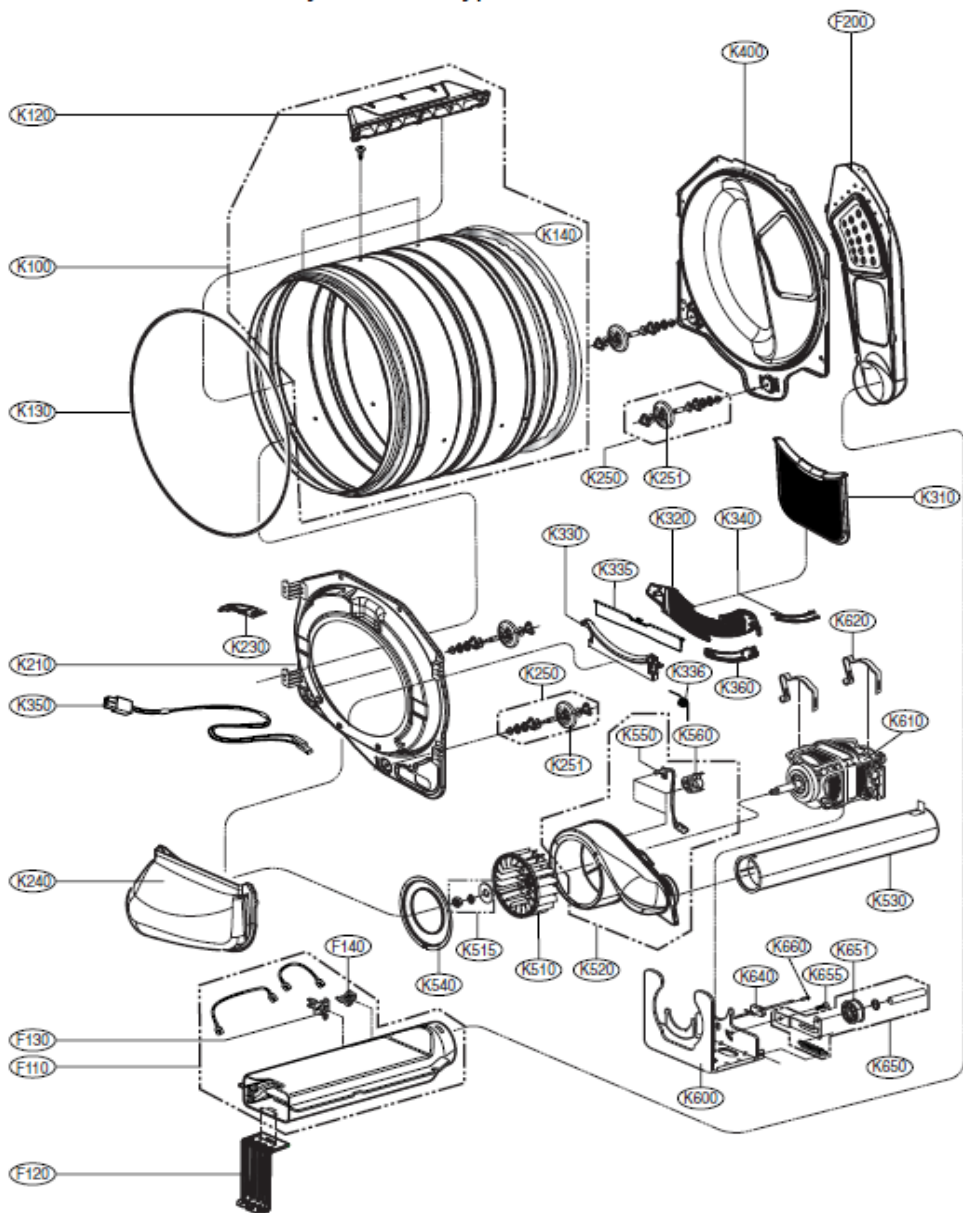
Cabinet & Door Assembly - Gas Stack Lower Type



Parts List: Dryer Exploded View

Giant-C Plus Elec & Gas (R*1329***P/GDP1329****)

Drum & Motor Assembly: Electric Type

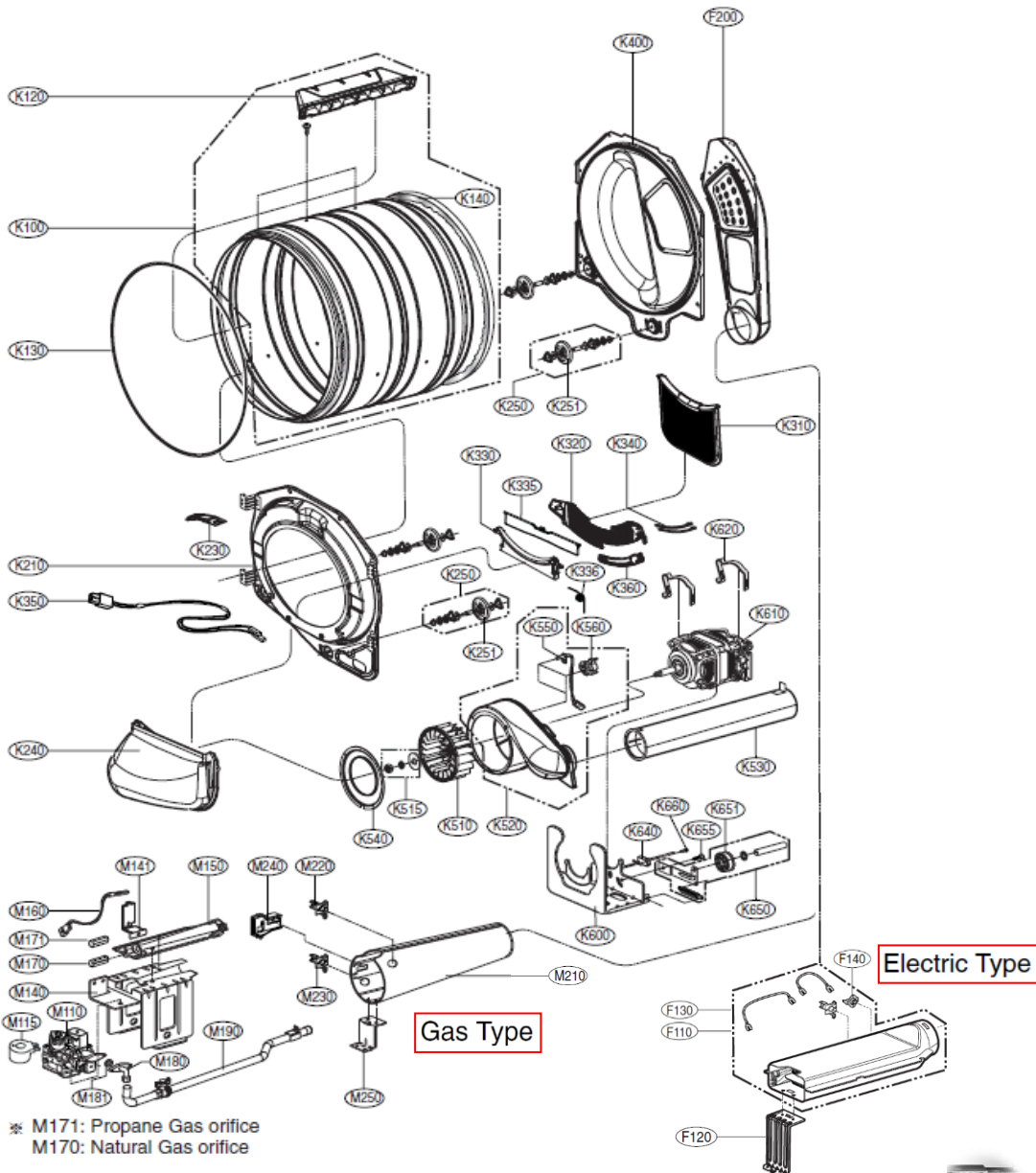


Commercial Product Parts List

Parts List: Dryer Exploded View

Giant-C Plus Elec & Gas (R*1329***P/GDP1329****)

Drum & Motor Assembly



Commercial Product Parts List

Parts List: Dryer

Base Model Giant-C Plus Elec (RV1329CD1P.ASSELC/GDP1329CED2)

Description	Part Name	SVC Loc
Manual Assembly,Owners	AFN75797215	*001
Panel Assembly,Control	AGL75092822	A110
Cover,Lower	MCK63735303	A113
Button,Control	MBG62329502	A116
Cover,Guide	MCK62998501	A117
PCB Assembly,Display	EBR75370606	A120
PCB Assembly,Main	EBR73527812	A130
Holder Assembly	AEJ33026601	A131
Holder Assembly	AEJ33026601	A131
Plate Assembly,Top	AGU30071271	A210
Holder	4930EL1005A	A212
Bracket,Hinge	MAZ47156202	A300
Bracket,Hinge	MAZ47156203	A305
Screw,Taptite	1APF0402608	A308
Cover Assembly,Cabinet	3551EL0011M	A310
Locker Assembly	4027EL1001A	A320
Screw,Machine	1MTC0402632	A325
Switch Assembly,Safety	6601EL3001A	A330
Frame Assembly	ADV30755804	A390
Frame Assembly	ADV30755203	A391
Door Assembly	3581EL0002C	A400
Locker,Hook	4026EL3007A	A410
Frame,Door(Outer)	3212EL1010B	A420
Hinge	4774EL2001A	A430
Frame,Door(Inner)	3212EL1005A	A450
Gasket	4986EL2004A	A460
Cabinet Assembly	ABJ34559289	A500
Bracket,Base	4810EL3001B	A520
Bracket,Base	4810EL3009E	A525
Bracket,Base	4810EL3009F	A530
Leg	4778EL3001B	A540
Cover,Guide	3550EL3007D	A560
Cover,Safety	3550EL3002A	A570
Harness,Multi	EAD61177512	A600
Cable,Assembly	EAD61246603	A601
Parts Assembly	383EEL9001B	A800
Heater Assembly	5301EL1001J	F110
Bracket,Heater	4810EL1007A	F120
Thermostat	6931EL3003D	F130
Thermostat Assembly	6931EL3001F	F140

Description	Part Name	SVC Loc
Duct Assembly	5209EL1001C	F200
Tube Assembly,Drum	3045EL1002P	K100
Lifter	4432EL1002A	K120
Belt,Poly V	4400EL2001A	K130
Belt,Poly V	4400EL2001F	K130
Gasket	4036EL3001A	K140
Screw,Taptite	1TFF0503507	K145
Tube Assembly,Drum	AJQ73594002	K210
Cover,Lamp	3550EL2001A	K230
Duct Assembly	5209EL1002B	K240
Roller Assembly	4581EL2002C	K250
Roller Assembly	4581EL2002D	K250
Roller Assembly	4581EL2002C	K250
Roller Assembly	4581EL3001E	K251
Roller Assembly	4581EL3001F	K251
Filter Assembly,Lint	5231EL1002E	K310
Cover,Guide	3550EL1006D	K320
Guide,Filter	4974EL1003D	K330
Cover,Filter	4974EL2004B	K335
Spring,Distortion	4970EL4002C	K336
Sensor,Humidity	6500EL3001A	K340
Single Harness	6631EL3003B	K350
Holder	4930EL2004D	K360
Tube,Drum(Rear)	3044EL0002C	K400
Casing Assembly	5835EL1002A	K510
Parts Assembly	383EEL9001G	K515
Housing,Blower	MEK37661701	K520
Duct Assembly	5209EL1006A	K530
Guide Assembly	4975EL3001A	K540
Thermistor,NTC	6323EL2001B	K550
Thermostat	6931EL3002M	K560
Bracket,Motor	4810EL1002A	K600
Motor Assembly,DC,Drum	4681EL1008A	K610
Clamp	4860EL3001A	K620
Switch,Micro	3W40025D	K640
Switch,Micro	EBF61734701	K640
Pulley Assembly,Motor	4561EL3002A	K650
Pulley,Idle	4560EL3001A	K651
Screw,Customized	1SZ2EL3001A	K655
Screw,Tapping	1TPL0303218	K660



Commercial Product Parts List

Parts List: Dryer

Base Model Giant-C Plus Gas (RN1329CD1P.ASSEELC/GDP1329CGD2)

Description	Part Name	SVC Loc
Manual Assembly,Owners	AFN75797215	*001
Panel Assembly,Control	AGL75092822	A110
Cover,Lower	MCK63735303	A113
Button,Control	MBG62329502	A116
Cover,Guide	MCK62998501	A117
PCB Assembly,Display	EBR75370606	A120
PCB Assembly,Main	EBR73527813	A130
Holder Assembly	AEJ33026601	A131
Holder Assembly	AEJ33026601	A131
Plate Assembly,Top	AGU30071271	A210
Holder	4930EL1005A	A212
Bracket,Hinge	MAZ47156202	A300
Bracket,Hinge	MAZ47156203	A305
Screw,Taptite	1APF0402608	A308
Cover Assembly,Cabinet	3551EL0011M	A310
Locker Assembly	4027EL1001A	A320
Screw,Machine	1MTC0402632	A325
Switch Assembly,Safety	6601EL3001A	A330
Frame Assembly	ADV30755804	A390
Frame Assembly	ADV30755203	A391
Door Assembly	3581EL0002C	A400
Locker,Hook	4026EL3007A	A410
Frame,Door(Outer)	3212EL1010B	A420
Hinge	4774EL2001A	A430
Frame,Door(Inner)	3212EL1005A	A450
Gasket	4986EL2004A	A460
Cabinet Assembly	ABJ34559290	A500
Bracket,Base	4810EL3001B	A520
Bracket,Base	4810EL3009E	A525
Bracket,Base	4810EL3009F	A530
Leg	4778EL3001B	A540
Power Cord Assembly	6411ER1005B	A550
Harness,Multi	EAD61246509	A600
Cable,Assembly	EAD61246603	A601
Parts Assembly	383EEL9001B	A800
Duct Assembly	5209EL1001E	F200
Tub Assembly,Drum	3045EL1002P	K100
Lifter	4432EL1002A	K120
Belt,Poly V	4400EL2001A	K130
Gasket	4036EL3001A	K140
Screw,Taptite	1FTF0503507	K145
Tub Assembly,Drum	AJQ73594002	K210
Cover,Lamp	3550EL2001A	K230
Duct Assembly	5209EL1002B	K240
Roller Assembly	4581EL2002C	K250

Description	Part Name	SVC Loc
Roller Assembly	4581EL2002C	K250
Roller Assembly	4581EL2002D	K250
Roller Assembly	4581EL3001E	K251
Roller Assembly	4581EL3001F	K251
Filter Assembly,Lint	5231EL1002E	K310
Cover,Guide	3550EL1006D	K320
Guide,Filter	4974EL1003D	K330
Cover,Filter	3550EL2004B	K335
Spring,Distortion	4970EL4002C	K336
Sensor,Humidity	6500EL3001A	K340
Single Harness	6631EL3003B	K350
Holder	4930EL2004D	K360
Tub,Drum(Rear)	3044EL1002C	K400
Casing Assembly	5835EL1002A	K510
Parts Assembly	383EEL9001G	K515
Housing,Blower	MEK37661701	K520
Duct Assembly	5209EL1006A	K530
Guide Assembly	4975EL3001A	K540
Thermistor,NTC	6323EL2001B	K550
Thermostat	6931EL3002M	K560
Bracket,Motor	4810EL1002A	K600
Motor Assembly,DC,Drum	4681EL1008A	K610
Clamp	4860EL3001A	K620
Switch,Micro	3W40025D	K640
Switch,Micro	EBF61734701	K640
Pulley Assembly,Motor	4561EL3002A	K650
Pulley,Idle	4560EL3001A	K651
Screw,Customized	1SZZEL3001A	K655
Screw,Tapping	1TPL0303218	K660
Valve Assembly,Gas	5221EL2002A	M110
Parts Assembly	383EEL9001J	M115
Guide,Burner	4974EL1001A	M140
Bracket,Base	4810EL3002A	M141
Pipe Assembly	5201EL3001A	M150
Igniter	5318EL3001A	M160
Orifice	4948EL4001B	M170
Parts Assembly	383EEL3002A	M171
Connector,Pipe	4932EL4001A	M180
Gasket	4036EL3002A	M181
Pipe Assembly	5201EL1001A	M190
Funnel	3016EL1001A	M210
Thermostat Assembly	6931EL3004B	M220
Thermostat	6931EL3003C	M230
Sensor Assembly	6501EL3001A	M240
Supporter,Holder	4980EL3001A	M250



Commercial Product Parts List

Parts List: Dryer

Base Model Giant-C Plus (R*1329CD1P.ASSEELC/GDP1329C*D2)

※ Apart from the variation parts, other parts are identical to the Base Model.

Giant-C Plus Elec Variations
(RV1329C**P)

Silver Models

Model	Description	Part Name	SVC Loc
RV1329CD4P/ GDP1329CES2	Plate Assembly,Top	AGU30071269	A210
	Cap,Drier	5006EL3004A	A510
RV1329CD7P/ GDP1329CEW2	Panel Assembly,Control	AGL75092836	A110
	Plate Assembly,Top	AGU30071269	A210
	Cable,Assembly	EAD61246602	A601
RV1329CN1P/ GDP1329QED2	Package Assembly	AGF30609833	A900
	Panel Assembly,Control	AGL75092837	A110
RV1329CN1P/ GDP1329QED2	Frame Assembly	ADV30755807	A390
	Panel Assembly,Control	AGL75092838	A110
RV1329CN4P/ GDP1329QES2	Plate Assembly,Top	AGU30071272	A210
	Panel Assembly,Control	AGL75092835	A110
RV1329CN7P/ GDP1329QEW2	Panel Assembly,Top	AGU30071269	A210
	Cable,Assembly	EAD61246602	A601
	Package Assembly	AGF30609833	A900

Giant-C Plus Gas Variations
(RN1329C**P)

Silver Models

Model	Description	Part Name	SVC Loc
RN1329CD4P/ GDP1329CGS2	Plate Assembly,Top	AGU30071269	A210
	Cap,Drier	5006EL3004A	A510
RN1329CD7P/ GDP1329CGW2	Panel Assembly,Control	AGL75092836	A110
	Plate Assembly,Top	AGU30071269	A210
	Cable,Assembly	EAD61246602	A601
RN1329CN1P/ GDP1329QGD2	Package Assembly	AGF30609833	A900
	Panel Assembly,Control	AGL75092837	A110
RN1329CN1P/ GDP1329QGD2	Frame Assembly	ADV30755807	A390
	Panel Assembly,Control	AGL75092838	A110
RN1329CN4P/ GDP1329QGS2	Plate Assembly,Top	AGU30071272	A210
	Panel Assembly,Control	AGL75092835	A110
RN1329CN7P/ GDP1329QGW2	Panel Assembly,Top	AGU30071269	A210
	Cable,Assembly	EAD61246602	A601
	Package Assembly	AGF30609833	A900

White Models

Model	Description	Part Name	SVC Loc
All White Models Need	Cover,Lower	MCK63735302	A113
	Cover Assembly,Cabinet	3551EL0011Q	A310
	Cabinet Assembly	ABJ34559256	A500
RV1329AD1P/ GDP1329CED	Panel Assembly,Control	AGL75092843	A110
	Plate Assembly,Top	AGU30071264	A210
RV1329AD4P/ GDP1329CES	Panel Assembly,Control	AGL75092843	A110
	Plate Assembly,Top	3457ER1006R	A210
	Cap,Drier	5006EL3004A	A510
RV1329AD7P/ GDP1329CEW	Panel Assembly,Control	AGL75092840	A110
	Plate Assembly,Top	AGU30071248	A210
	Cable,Assembly	EAD61246602	A601
RV1329AN1P/ GDP1329QED	Package Assembly	AGF30609833	A900
	Panel Assembly,Control	AGL75092841	A110
RV1329AN1P/ GDP1329QED	Plate Assembly,Top	AGU30071264	A210
	Frame Assembly	ADV30755805	A390
RV1329AN4P/ GDP1329QES	Panel Assembly,Control	AGL75092861	A110
	Plate Assembly,Top	AGU30071218	A210
RV1329CN7P/ GDP1329QEW	Panel Assembly,Control	AGL75092839	A110
	Plate Assembly,Top	AGU30071248	A210
	Cable,Assembly	EAD61246602	A601
RV1329CN7P/ GDP1329QEW	Package Assembly	AGF30609833	A900

White Models

Model	Description	Part Name	SVC Loc
All White Models Need	Cover,Lower	MCK63735302	A113
	Cover Assembly,Cabinet	3551EL0011Q	A310
	Cabinet Assembly	ABJ34559256	A500
RN1329AD1P/ GDP1329CGD	Panel Assembly,Control	AGL75092843	A110
	Plate Assembly,Top	AGU30071264	A210
RN1329AD4P/ GDP1329CGS	Panel Assembly,Control	AGL75092843	A110
	Plate Assembly,Top	3457ER1006R	A210
	Cap,Drier	5006EL3004A	A510
RN1329AD7P/ GDP1329CGW	Panel Assembly,Control	AGL75092840	A110
	Plate Assembly,Top	AGU30071248	A210
	Cable,Assembly	EAD61246602	A601
RN1329AN1P/ GDP1329QGD	Package Assembly	AGF30609833	A900
	Panel Assembly,Control	AGL75092841	A110
RN1329AN1P/ GDP1329QGD	Plate Assembly,Top	AGU30071264	A210
	Frame Assembly	ADV30755805	A390
RN1329AN4P/ GDP1329QGS	Panel Assembly,Control	AGL75092861	A110
	Plate Assembly,Top	AGU30071218	A210
RN1329CN7P/ GDP1329QGW	Panel Assembly,Control	AGL75092839	A110
	Plate Assembly,Top	AGU30071248	A210
	Cable,Assembly	EAD61246602	A601
RN1329CN7P/ GDP1329QGW	Package Assembly	AGF30609833	A900

* If the parts you are looking for are not on this page, please find them in the parts list of the base model. Except for the parts listed on this page, they are the same as the parts of the base model.



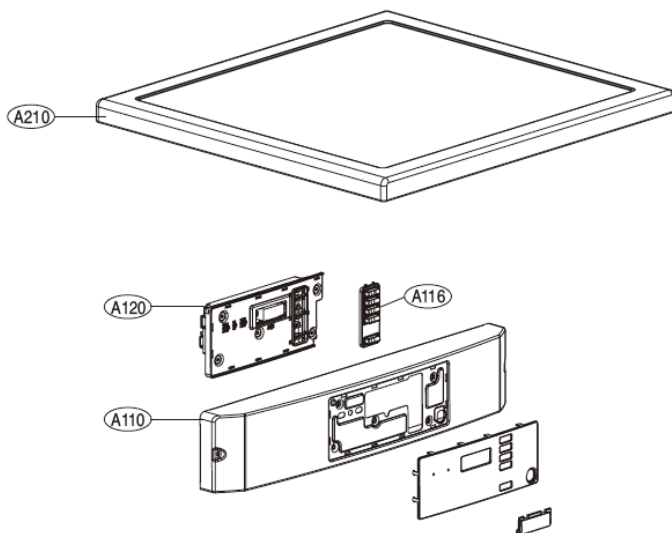
Commercial Product Parts List

Parts List: Dryer Exploded View

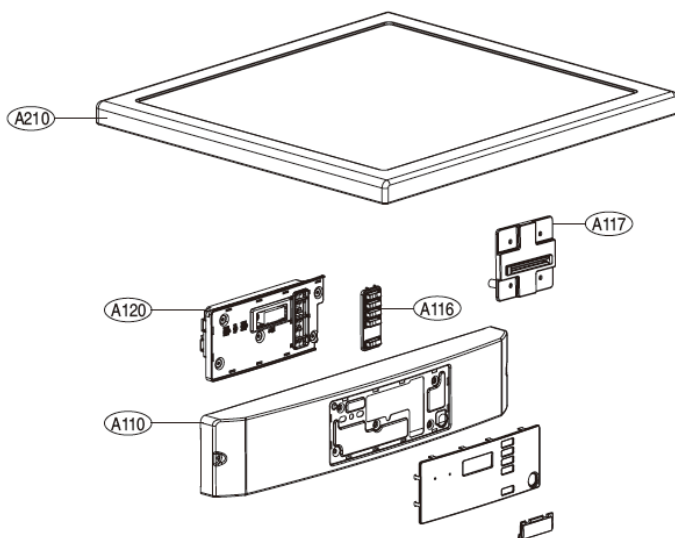
Giant-C Pro Wi-Fi 1.0 (R*1329***L/GDL1329***3)

Giant-C Pro Wi-Fi 2.0 (R*1329***T/GDL1329***7)

Control Panel & Plate Assembly - Coin / OPL Type



Control Panel & Plate Assembly - Card Type



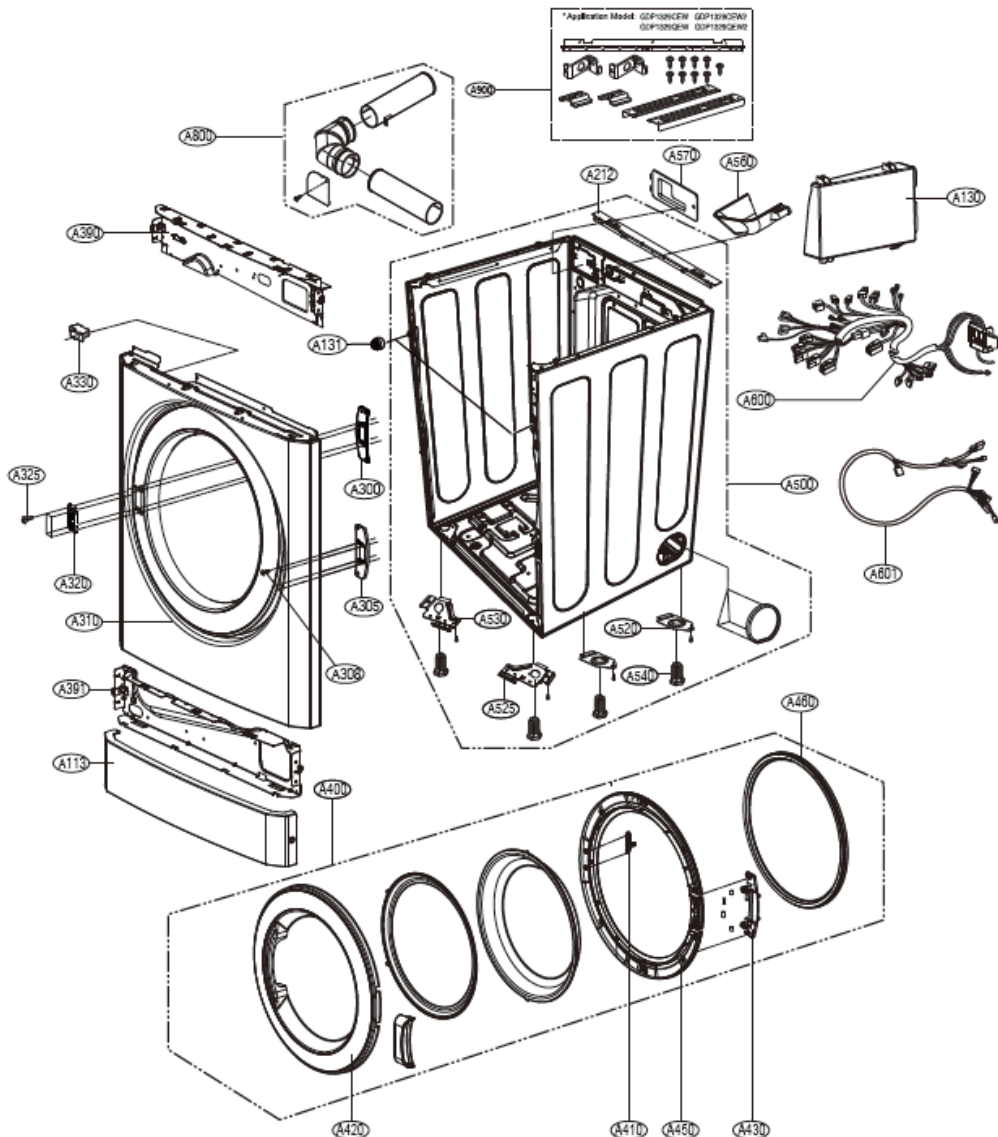
Commercial Product Parts List

Parts List: Dryer Exploded View

Giant-C Pro Wi-Fi 1.0 (R*1329***L/GDL1329***3)

Giant-C Pro Wi-Fi 2.0 (R*1329***T/GDL1329***7)

Cabinet & Door Assembly - Electric Stack Upper Type



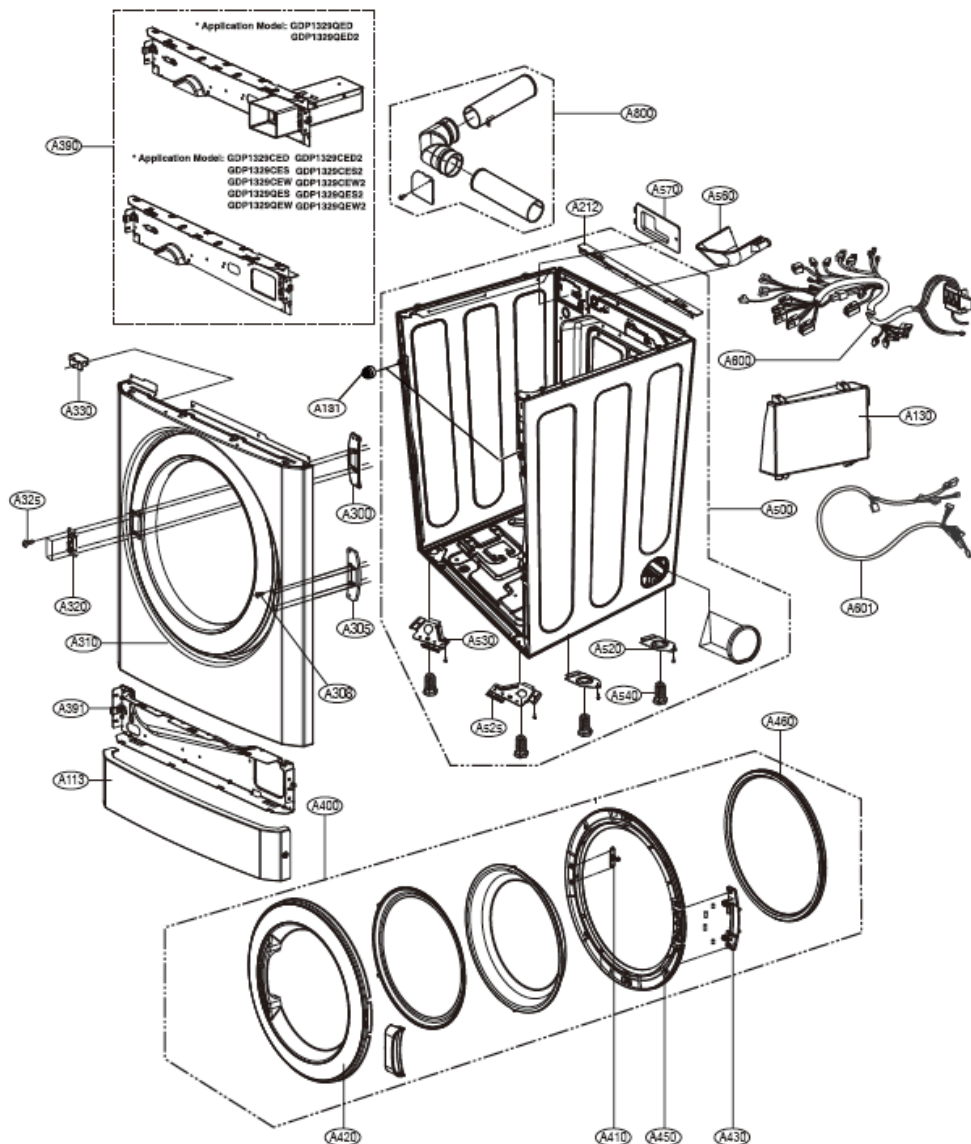
Commercial Product Parts List

Parts List: Dryer Exploded View

Giant-C Pro Wi-Fi 1.0 (R*1329***L/GDL1329***3)

Giant-C Pro Wi-Fi 2.0 (R*1329***T/GDL1329***7)

Cabinet & Door Assembly - Electric Stack Lower Type

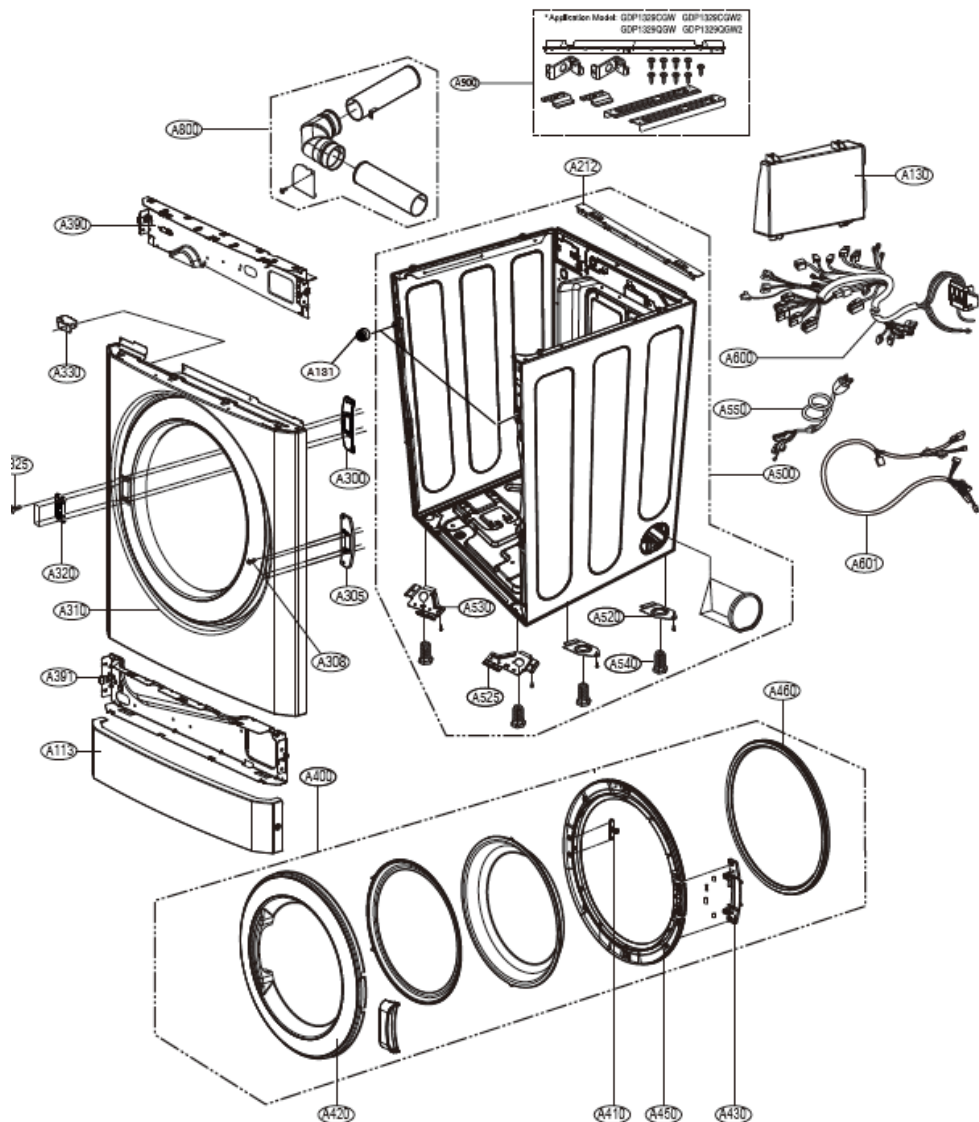


Parts List: Dryer Exploded View

Giant-C Pro Wi-Fi 1.0 (R*1329***L/GDL1329***3)

Giant-C Pro Wi-Fi 2.0 (R*1329***T/GDL1329***7)

Cabinet & Door Assembly - Gas Stack Upper Type



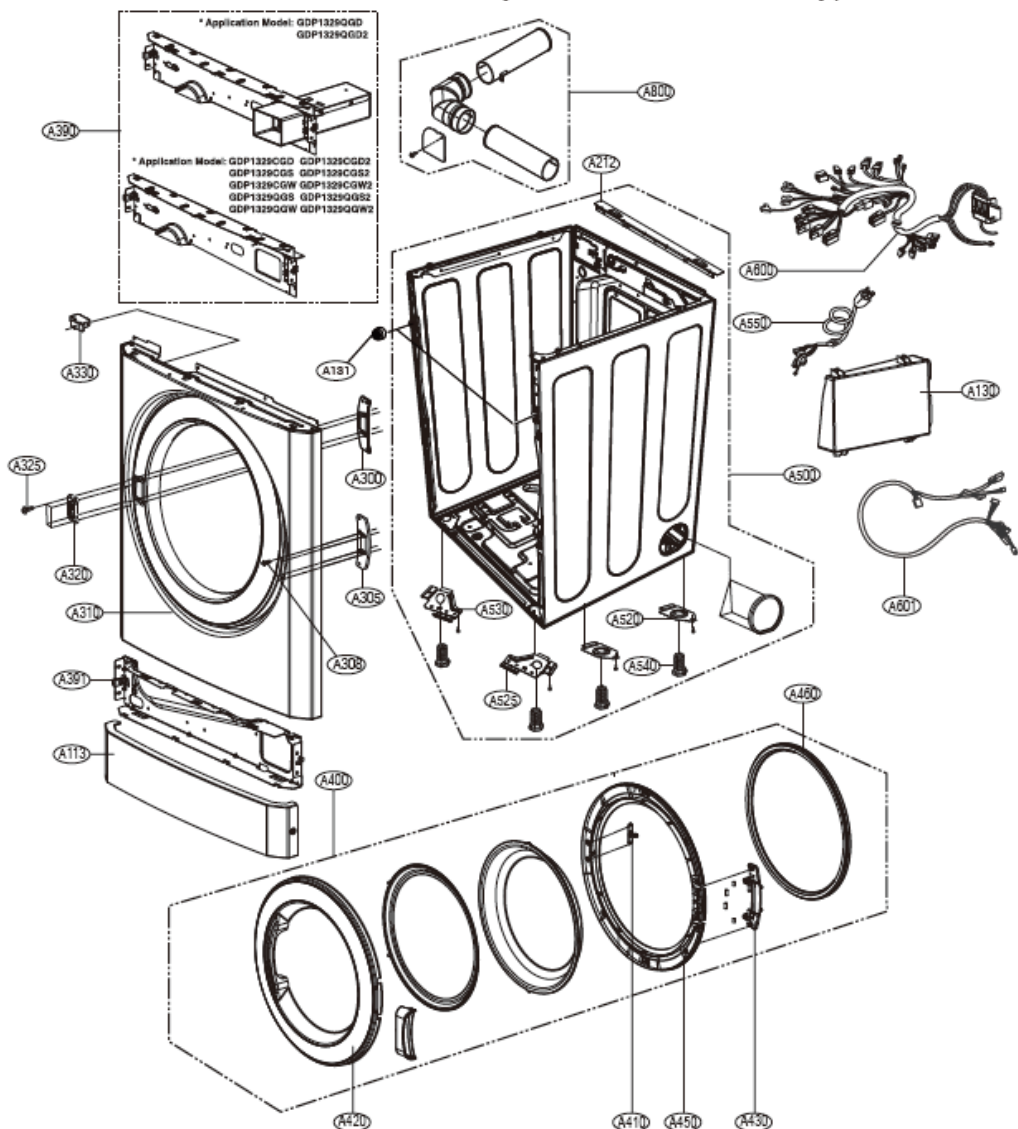
Commercial Product Parts List

Parts List: Dryer Exploded View

Giant-C Pro Wi-Fi 1.0 (R*1329***L/GDL1329***3)

Giant-C Pro Wi-Fi 2.0 (R*1329***T/GDL1329***7)

Cabinet & Door Assembly - Gas Stack Lower Type

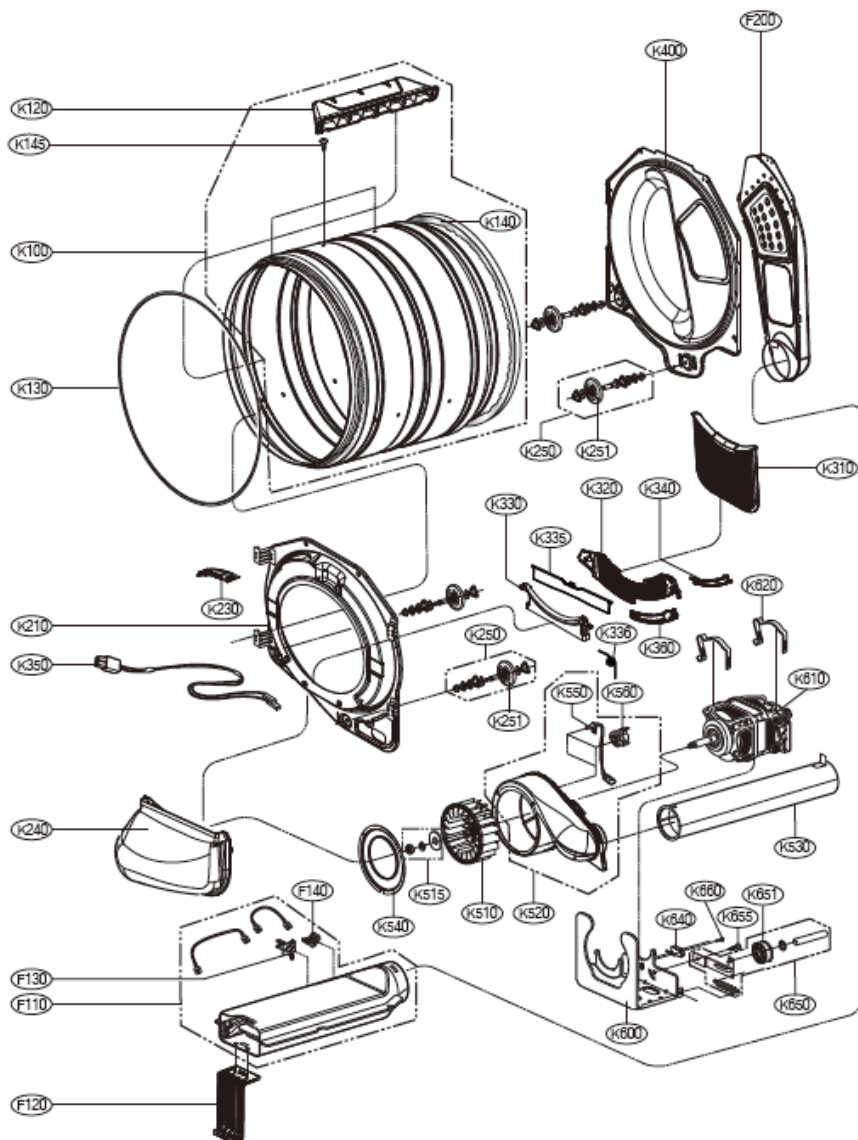


Parts List: Dryer Exploded View

Giant-C Pro Wi-Fi 1.0 (R*1329***L/GDL1329***3)

Giant-C Pro Wi-Fi 2.0 (R*1329***T/GDL1329***7)

Drum & Motor Assembly: Electric Type



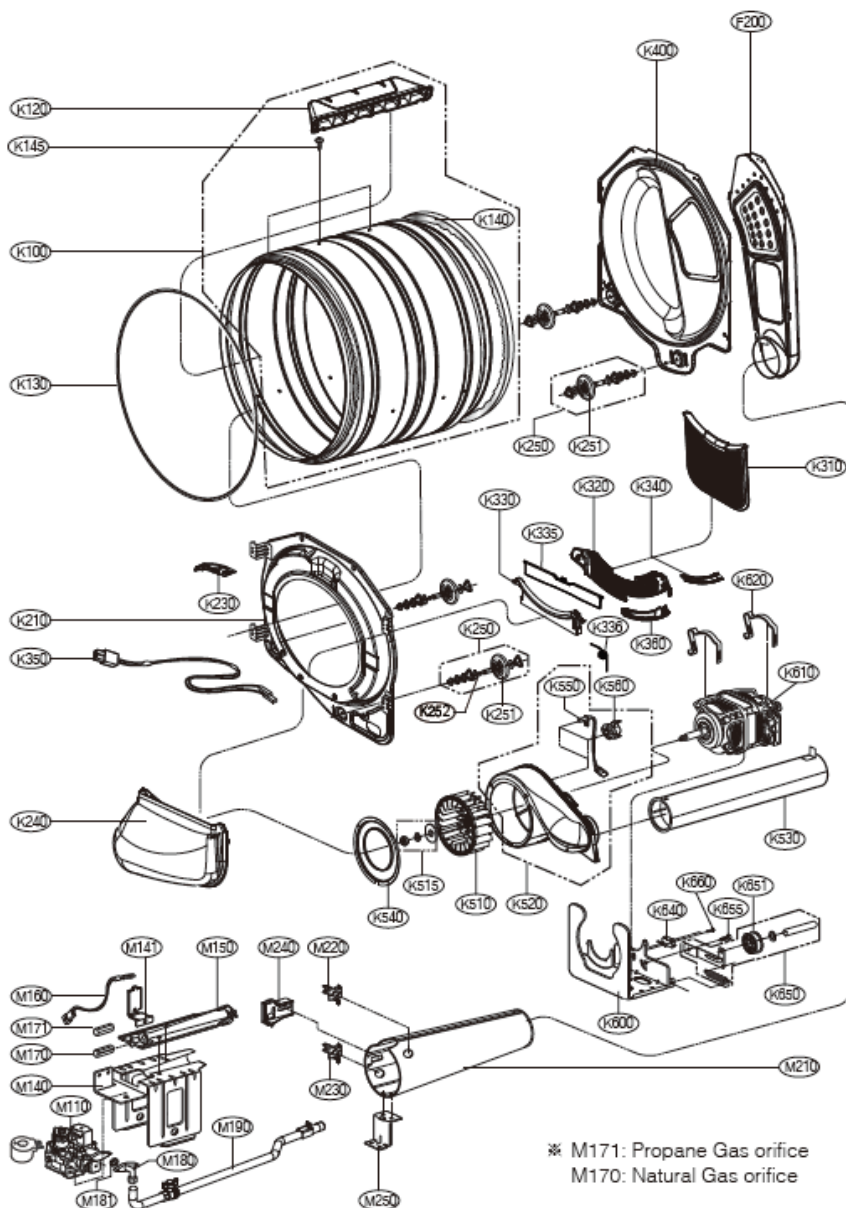
Commercial Product Parts List

Parts List: Dryer Exploded View

Giant-C Pro Wi-Fi 1.0 (R*1329***L/GDL1329***3)

Giant-C Pro Wi-Fi 2.0 (R*1329***T/GDL1329***7)

Drum & Motor Assembly: Gas Type



Commercial Product Parts List

Parts List: Dryer

Base Model Giant-C Pro Wi-Fi 1.0 Elec (RV1329CD1L.ASSEELC/GDL1329CED3) Giant-C Pro Wi-Fi 2.0 Elec (RV1329C**T/GDL1329**E*7)

Description	Part Name	SVC Loc
Panel Assembly,Control	AGL75092895	A110
Cover,Lower	MCK63735303	A113
Button,Control	MBG62329502	A116
Cover,Guide	MCK62998501	A117
PCB Assembly,Display	EBR84561601	A120
PCB Assembly,Main	EBR73527819	A130
Holder Assembly	AEJ33026601	A131
Plate Assembly,Top	AGU30071271	A210
Holder	4930EL1005A	A212
Bracket,Hinge	MAZ47156202	A300
Bracket,Hinge	MAZ47156203	A305
Screw,Taptime	1APF0402608	A308
Cover Assembly,Cabinet	3551EL0011M	A310
Locker Assembly	4027EL1001A	A320
Screw,Machine	1MTC0402632	A325
Switch Assembly,Safety	6601EL3001A	A330
Frame Assembly	ADV30755804	A390
Frame Assembly	ADV30755203	A391
Door Assembly	3581EL0002C	A400
Locker,Hook	4026EL3007A	A410
Frame,Door(Outer)	3212EL1010B	A420
Hinge	4774EL2001A	A430
Frame,Door(Inner)	3212EL1005A	A450
Gasket	4986EL2004A	A460
Cabinet Assembly	ABJ34559289	A500
Bracket,Base	4810EL3001B	A520
Bracket,Base	4810EL3009E	A525
Bracket,Base	4810EL3009F	A530
Leg	4778EL3001B	A540
Cover,Guide	3550EL3007D	A560
Cover,Safety	3550EL3002A	A570
Harness,Multi	EAD61177512	A600
Cable,Assembly	EAD61246603	A601
Parts Assembly	383EEL9001B	A800
Heater Assembly	5301EL1001J	F110
Heater Assembly	5301EL1001S	F110
Bracket,Heater	4810EL1007A	F120
Thermostat	6931EL3003D	F130
Thermostat Assembly	6931EL3001F	F140
Duct Assembly	5209EL1001C	F200

Description	Part Name	SVC Loc
Tub Assembly,Drum	3045EL1002P	K100
Lifter	4432EL1002A	K120
Belt,Poly V	4400EL2001A	K130
Belt,Poly V	4400EL2001F	K130
Gasket	4036EL3001A	K140
Screw,Taptime	1FTF0503507	K145
Tub Assembly,Drum	AJQ73594002	K210
Cover,Lamp	3550EL2001A	K230
Duct Assembly	5209EL1002B	K240
Roller Assembly	4581EL2002C	K250
Roller Assembly	4581EL2002H	K250
Roller Assembly	4581EL2002C	K250
Roller Assembly	4581EL2002H	K250
Roller Assembly	4581EL2002H	K250
Roller Assembly	4581EL3001M	K251
Washer,Customized	4W50100F	K252
Filter Assembly,Lint	5231EL1002E	K310
Cover,Guide	3550EL1006D	K320
Guide,Filter	4974EL1003D	K330
Cover,Filter	3550EL2004B	K335
Spring,Distortion	4970EL4002C	K336
Sensor,Humidity	6500EL3001A	K340
Single Harness	6631EL3003B	K350
Holder	4930EL2004D	K360
Tub,Drum(Rear)	3044EL0002C	K400
Casing Assembly	5835EL1002A	K510
Parts Assembly	383EEL9001G	K515
Housing,Blower	MEK37661701	K520
Duct Assembly	5209EL1006A	K530
Guide Assembly	4975EL3001A	K540
Thermistor,NTC	6323EL2001B	K550
Thermostat	6931EL3002M	K560
Bracket,Motor	MAZ66065301	K600
Motor Assembly,DC,Drum	4681EL1008A	K610
Clamp	4860EL3001A	K620
Switch,Micro	3W40025D	K640
Switch,Micro	EBF61734701	K640
Pulley Assembly,Motor	4561EL3002A	K650
Pulley,Idle	4560EL3001A	K651
Screw,Customized	1SZZEL3001A	K655
Screw,Tapping	1TPL0303218	K660



Commercial Product Parts List

Parts List: Dryer

Base Model Giant-C Pro Wi-Fi 1.0 Elec (RV1329CD1L.ASSEELC/GDL1329CED3)

Wi-Fi 1.0 Variations - Silver
(RV1329C**L.ASSEELC/GDL1329*E*3)

Model	Description	Part Name	SVC Loc
RV1329CD4L/ GDL1329CE53	Plate Assembly,Top	AGU30071269	A210
RV1329CD7L/ GDL1329CEW3	Panel Assembly,Control	AGL75092896	A110
	Plate Assembly,Top	AGU30071269	A210
	Cable,Assembly	EAD61246602	A601
RV1329CN1L/ GDL1329QED3	Package Assembly	AGF30609833	A900
	Panel Assembly,Control	AGL75092898	A110
RV1329CN4L/ GDL1329QES3	Frame Assembly	ADV30755807	A390
	Panel Assembly,Control	AGL75092879	A110
RV1329CN7L/ GDL1329QEW3	Plate Assembly,Top	AGU30071269	A210
	Panel Assembly,Control	AGL75092897	A110
	Cable,Assembly	EAD61246602	A601
	Package Assembly	AGF30609833	A900

Wi-Fi 2.0 Variations - Silver
(RV1329C**T.ASSEELC/GDL1329*E*7)

Model	Description	Part Name	SVC Loc
All Wi-Fi 2.0 Models Need	Manual Assembly,Owners	AFN75797261	*001
	PCB Assembly,Display	EBR84561604	A120
	PCB Assembly,Main	EBR73527821	A130
RV1329CD1T/ GDL1329CED7	Panel Assembly,Control	AGL76633934	A110
RV1329CD4T/ GDL1329CE57	Plate Assembly,Top	AGU30071269	A210
RV1329CD7T/ GDL1329CEW7	Panel Assembly,Control	AGL76633948	A110
	Plate Assembly,Top	AGU30071269	A210
	Cable,Assembly	EAD61246602	A601
	Package Assembly	AGF30609833	A900
RV1329CN1T/ GDL1329QED7	Panel Assembly,Control	AGL76633949	A110
	Frame Assembly	ADV30755807	A390
RV1329CN4T/ GDL1329QES7	Panel Assembly,Control	AGL76633950	A110
	Plate Assembly,Top	AGU30071272	A210
RV1329CN7T/ GDL1329QEW7	Panel Assembly,Control	AGL76633951	A110
	Plate Assembly,Top	AGU30071269	A210
	Cable,Assembly	EAD61246602	A601
	Package Assembly	AGF30609833	A900

Wi-Fi 2.0 Variations - White
(RV1329C**T.ABWEELC/GDL1329*E*8)

Model	Description	Part Name	SVC Loc
All White Models Need	Cover,Lower	MCK63735302	A113
	Cover Assembly,Cabinet	3551EL0011Q	A310
	Cabinet Assembly	ABJ34559256	A500
RV1329CD1T/ GDL1329CED8	Panel Assembly,Control	AGL76633986	A110
	Plate Assembly,Top	AGU73708753	A210
RV1329CD4T/ GDL1329CE58	Panel Assembly,Control	AGL76633986	A110
	Plate Assembly,Top	3457ER1006R	A210
RV1329CD7T/ GDL1329CEW8	Panel Assembly,Control	AGL76633987	A110
	Plate Assembly,Top	AGU30071248	A210
	Cable,Assembly	EAD61246602	A601
	Package Assembly	AGF30609820	A900
RV1329CN4T/ GDL1329QES8	Panel Assembly,Control	AGL76633988	A110
	Plate Assembly,Top	AGU30071218	A210

* RV1329CN1T (GDL1329QED8) and RV1329CN7T (GDL1329QEW8) models were not developed.

* If the parts you are looking for are not on this page, please find them in the parts list of the base model. Except for the parts listed on this page, they are the same as the parts of the base model.



Commercial Product Parts List

Parts List: Dryer

Base Model Giant-C Pro Wi-Fi 1.0 Gas (RN1329CD1L.ASSEELC/GDL1329CGD3)
Giant-C Pro Wi-Fi 2.0 Gas (RN1329C**T/GDL1329*G*7)

Description	Part Name	SVC Loc
Panel Assembly,Control	AGL76633934	A110
Cover,Lower	MCK63735303	A113
Button,Control	MBG62329502	A116
Cover,Guide	MCK62998501	A117
PCB Assembly,Display	EBR84561604	A120
PCB Assembly,Main	EBR73527822	A130
Holder Assembly	AEJ33026601	A131
Plate Assembly,Top	AGU30071271	A210
Holder	4930EL1005A	A212
Bracket,Hinge	MAZ47156202	A300
Bracket,Hinge	MAZ47156203	A305
Screw,Taptime	1APF0402608	A308
Cover Assembly,Cabinet	3551EL0011M	A310
Locker Assembly	4027EL1001A	A320
Screw,Machine	1MTC0402632	A325
Switch Assembly,Safety	6601EL3001A	A330
Frame Assembly	ADV30755804	A390
Frame Assembly	ADV30755203	A391
Door Assembly	3581EL0002C	A400
Locker,Hook	4026EL3007A	A410
Frame,Door(Outer)	3212EL1010B	A420
Hinge	4774EL2001A	A430
Frame,Door(Inner)	3212EL1005A	A450
Gasket	4986EL2004A	A460
Cabinet Assembly	ABJ34559290	A500
Bracket,Base	4810EL3001B	A520
Bracket,Base	4810EL3009E	A525
Bracket,Base	4810EL3009F	A530
Leg	4778EL3001B	A540
Power Cord Assembly	6411ER1005B	A550
Harness,Multi	EAD61246509	A600
Cable,Assembly	EAD61246603	A601
Parts Assembly	383EEL9001B	A800
Duct Assembly	5209EL1001E	F200
Tube Assembly,Drum	3045EL1002P	K100
Lifter	4432EL1002A	K120
Belt,Poly V	4400EL2001A	K130
Belt,Poly V	4400EL2001F	K130
Gasket	4036EL3001A	K140
Screw,Taptime	1FTF0503507	K145
Tube Assembly,Drum	AJQ73594002	K210
Cover,Lamp	3550EL2001A	K230
Duct Assembly	5209EL1002B	K240
Roller Assembly	4581EL2002C	K250
Roller Assembly	4581EL2002H	K250

Description	Part Name	SVC Loc
Roller Assembly	4581EL2002C	K250
Roller Assembly	4581EL2002H	K250
Roller Assembly	4581EL3001M	K251
Washer,Customized	4W50100F	K252
Filter Assembly,Lint	5231EL1002E	K310
Cover,Guide	3550EL1006D	K320
Guide,Filter	4974EL1003D	K330
Cover,Filter	3550EL2004B	K335
Spring,Distortion	4970EL4002C	K336
Sensor,Humidity	6500EL3001A	K340
Single Harness	6631EL3003B	K350
Holder	4930EL2004D	K360
Tube,Drum(Rear)	3044EL0002C	K400
Casing Assembly	5835EL1002A	K510
Parts Assembly	383EEL9001G	K515
Housing,Blower	MEK37661701	K520
Duct Assembly	5209EL1006A	K530
Guide Assembly	4975EL3001A	K540
Thermistor,NTC	6323EL2001B	K550
Thermostat	6931EL3002M	K560
Bracket,Motor	MAZ66065301	K600
Motor Assembly,DC,Drum	4681EL1008A	K610
Clamp	4860EL3001A	K620
Switch,Micro	3W40025D	K640
Switch,Micro	EBF61734701	K640
Pulley Assembly,Motor	4561EL3002A	K650
Pulley,Idle	4560EL3001A	K651
Screw,Customized	1SZZEL3001A	K655
Screw,Tapping	1TPL0303218	K660
Valve Assembly,Gas	5221EL2002A	M110
Guide,Burner	4974EL1001A	M140
Bracket,Base	4810EL3002A	M141
Pipe Assembly	5201EL3001A	M150
Igniter	5318EL3001A	M160
Orifice	4948EL4001B	M170
Parts Assembly	383EEL3002D	M171
Connector,Pipe	4932EL4001A	M180
Gasket	4036EL3002A	M181
Pipe Assembly	5201EL1001A	M190
Funnel	3016EL1001A	M210
Thermostat Assembly	6931EL3004B	M220
Thermostat	6931EL3003C	M230
Sensor Assembly	6501EL3001A	M240
Supporter,Holder	4980EL3001A	M250



Commercial Product Parts List

Parts List: Dryer

Base Model Giant-C Pro Wi-Fi 1.0 Gas (RN1329CD1L.ASSEELC/GDL1329CGD3)

Wi-Fi 1.0 Variations - Silver
(RN1329C**L.ASSEELC/GDL1329*G*3)

Model	Description	Part Name	SVC Loc
RN1329CD4L/ GDL1329CGS3	Plate Assembly,Top	AGU30071269	A210
RN1329CD7L/ GDL1329CGW3	Panel Assembly,Control	AGL75092895	A110
	Plate Assembly,Top	AGU30071269	A210
	Cable,Assembly	EAD61246603	A601
RN1329CN1L/ GDL1329QGD3	Panel Assembly,Control	AGL75092895	A110
	Frame Assembly	ADV30755804	A390
RN1329CN4L/ GDL1329QGS3	Panel Assembly,Control	AGL75092895	A110
	Plate Assembly,Top	AGU30071269	A210
RN1329CN7L/ GDL1329QGW3	Panel Assembly,Control	AGL75092895	A110
	Plate Assembly,Top	AGU30071269	A210
	Cable,Assembly	EAD61246603	A601

Wi-Fi 2.0 Variations - Silver
(RN1329C**T.ASSEELC/GDL1329*G*7)

Model	Description	Part Name	SVC Loc
All Wi-Fi 2.0 Models Need	Manual Assembly,Owners	AFN75797260	*001
	PCB Assembly,Display	EBR84561604	A120
	PCB Assembly,Main	EBR73527822	A130
	Parts Assembly	383EEL9001J	M115
RN1329CD1T/ GDL1329CGD7	Panel Assembly,Control	AGL76633934	A110
RN1329CD4T/ GDL1329CGS7	Plate Assembly,Top	AGU30071269	A210
RN1329CD7T/ GDL1329CGW7	Panel Assembly,Control	AGL76633948	A110
	Plate Assembly,Top	AGU30071269	A210
	Cable,Assembly	EAD61246602	A601
RN1329CN1T/ GDL1329QGD7	Package Assembly	AGF30609833	A900
	Panel Assembly,Control	AGL76633949	A110
	Frame Assembly	ADV30755807	A390
RN1329CN7T/ GDL1329QGW7	Panel Assembly,Control	AGL76633951	A110
	Plate Assembly,Top	AGU30071269	A210
	Cable,Assembly	EAD61246602	A601
	Package Assembly	AGF30609833	A900

* RN1329CN4T (GDL1329QGS7) model was not developed.

Wi-Fi 2.0 Variations - White
(RN1329C**T.ABWEELC/GDL1329*G*8)

Model	Description	Part Name	SVC Loc
All White Models Need	Cover,Lower	MCK63735302	A113
	Cover Assembly,Cabinet	3551EL0011Q	A310
	Cabinet Assembly	ABJ34559258	A500
RN1329CD1T/ GDL1329CGD8	Panel Assembly,Control	AGL76633986	A110
	Plate Assembly,Top	AGU73708753	A210
RN1329CD4T/ GDL1329CGS8	Panel Assembly,Control	AGL76633986	A110
	Plate Assembly,Top	3457ER1006R	A210
	Panel Assembly,Control	AGL76633987	A110
RN1329CD7T/ GDL1329CGW8	Plate Assembly,Top	AGU30071248	A210
	Cable,Assembly	EAD61246602	A601
	Package Assembly	AGF30609820	A900

* Coin type dryer models were not developed.

* If the parts you are looking for are not on this page, please find them in the parts list of the base model. Except for the parts listed on this page, they are the same as the parts of the base model.

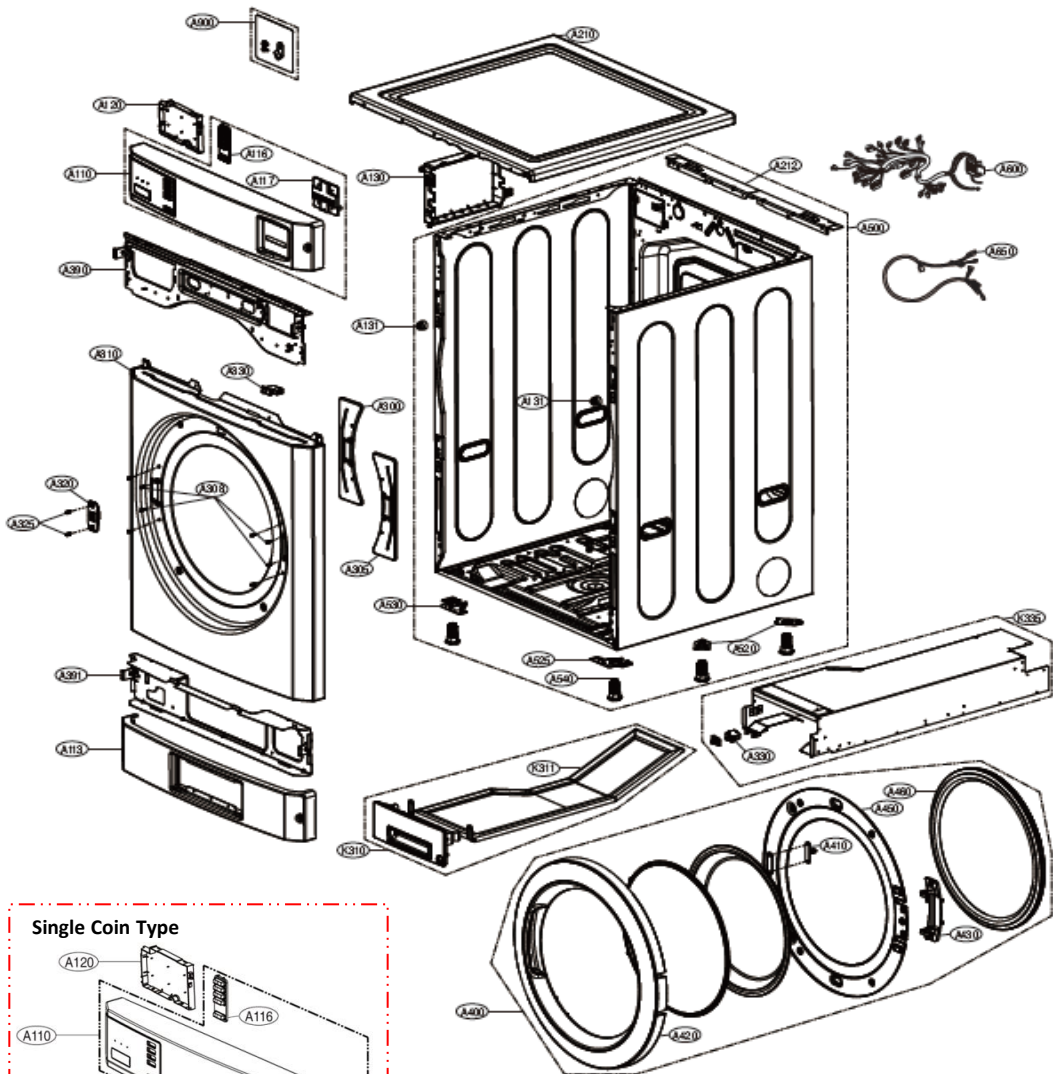


Commercial Product Parts List

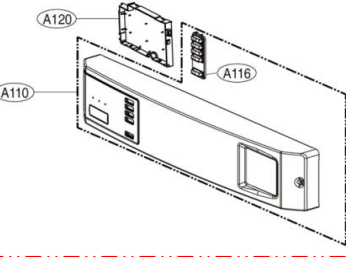
Parts List: Dryer Exploded View

Titan-C (RN1870A**/TCD1870*G*)

Control Panel & Cabinet & Cabinet Cover Assembly - Single Card / OPL Type



Single Coin Type

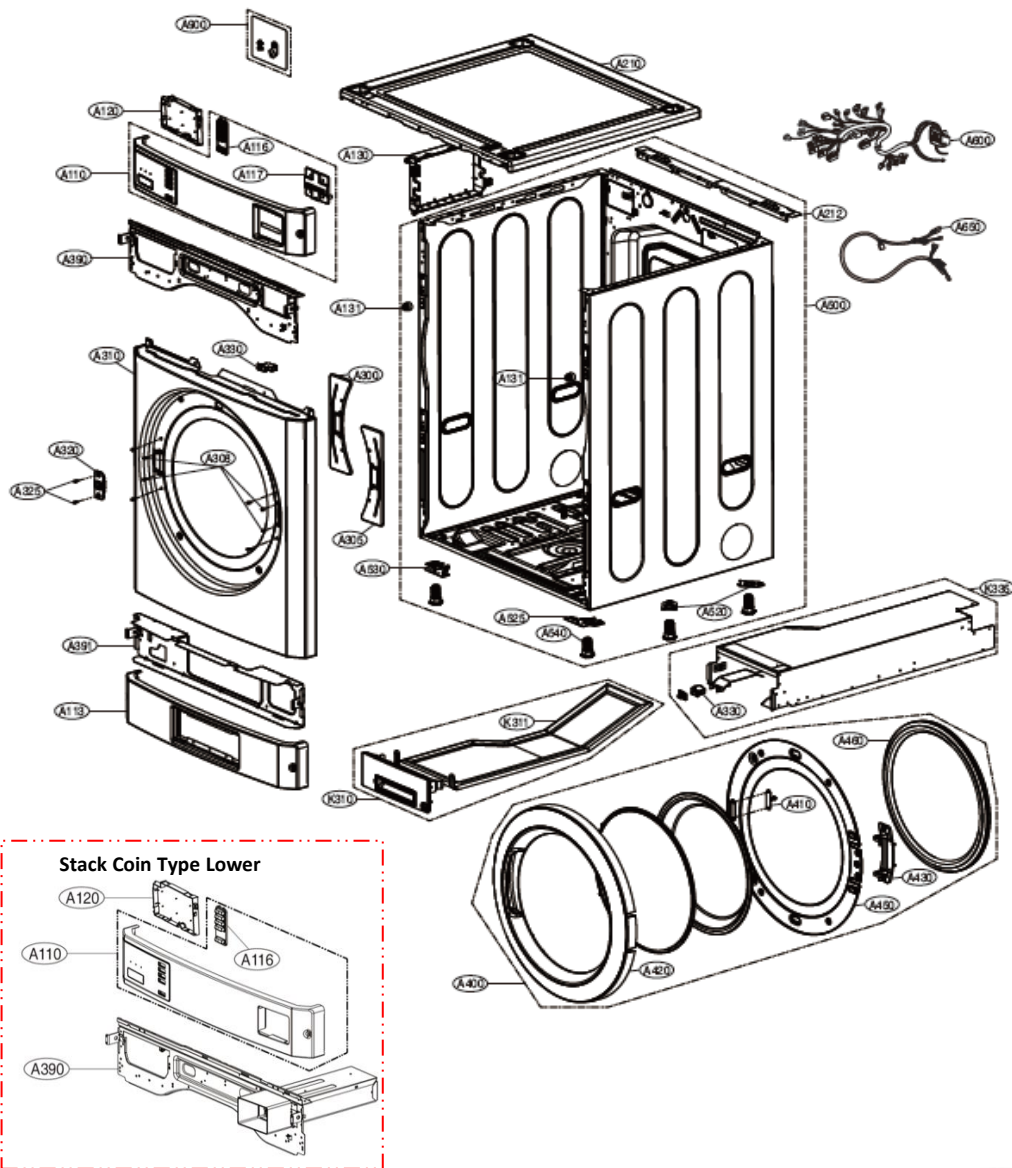


Commercial Product Parts List

Parts List: Dryer Exploded View

Titan-C (RN1870A**/TCD1870*G*)

Control Panel & Cabinet & Cabinet Cover Assembly - Stack Card / OPL Type Lower

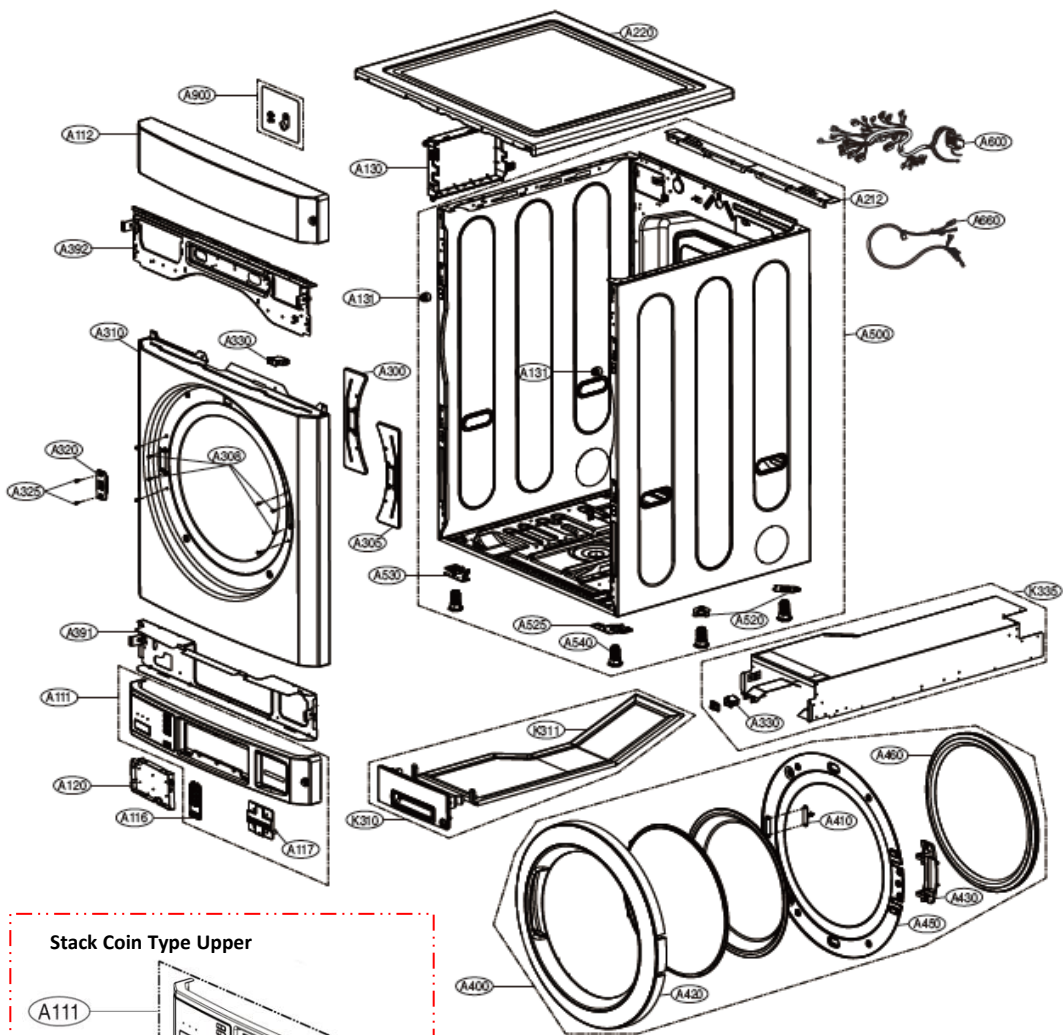


Commercial Product Parts List

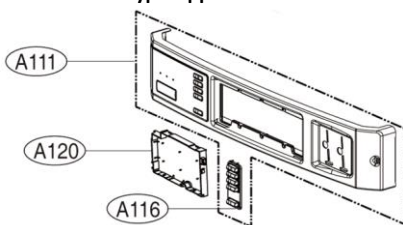
Parts List: Dryer Exploded View

Titan-C (RN1870A**/TCD1870*G*)

Control Panel & Cabinet & Cabinet Cover Assembly - Stack Card / OPL Type Upper



Stack Coin Type Upper



Commercial Product Parts List

Parts List: Dryer Exploded View

Base Model Titan-C (RN1870AN4/TCD1870QGS)

※ Apart from the variation parts, other parts are identical to the Base Model.

Description	Part Name	SVC Loc	Description	Part Name	SVC Loc	Description	Part Name	SVC Loc
Manual Assembly,Owners	AFN75797233	*001	Bracket,Base	4810EL3009E	A525	Impeller,Blower	MER62101601	K510
Box, Carton	MAY66696201	*002	Bracket,Base	4810EL3009F	A530	Parts Assembly	383EEL9001X	K515
Panel Assembly,Control	AGL74078504	A110	Leg	4778EL3001B	A540	Housing Assembly,Blower	AEN73572701	K520
Panel Assembly,Control	AGL74078507	A113	Power Cord Assembly	6411ER1006V	A550	Duct Assembly	ADJ73813101	K530
Button,Control	MBG62329502	A116	Harness,Multi	EAD62502901	A600	Thermistor,NTC	6323EL2001B	K550
PCB Assembly,Display	EBR76556901	A120	Harness,Multi	EAD62503101	A650	Thermostat	6931EL3002M	K560
PCB Assembly,Main	EBR76992201	A130	Harness,Multi	EAD62503001	A700	Bracket, Motor	4810EL1002A	K600
Holder Assembly	AEJ33026601	A131	Accessory Assembly	AAA75064801	A800	Motor Assembly,DC,Drum	4681EL1008G	K610
Holder Assembly	AEJ33026601	A131	Accessory Assembly	AAA75887101	A900	Clamp	4860EL3001A	K620
PCB Assembly	EBR77096901	A140	Duct, Inlet	MCZ62492302	F200	Motor Assembly,DC,Fan	EAU62125301	K620
Plate Assembly,Top	AGU73729904	A210	Tube Assembly,Drum	AJQ73274302	K100	Switch, Micro	EBF61734701	K640
Holder	4930EL1005A	A212	Lifter	MFE61921001	K120	Pulley Assembly, Motor	4561EL3002B	K650
Bracket, Hinge	MAZ47156204	A300	Belt, Poly V	4400EL2001D	K130	Pulley, Idle	4560EL3001A	K651
Bracket, Hinge	MAZ47156205	A305	Gasket	4036EL3001B	K140	Screw, Customized	1SZZEL3001A	K655
Screw, Taptite	1APF0402608	A308	Screw, Taptite	1FTF0503507	K141	Screw, Tapping	1TPL0303218	K660
Cover Assembly, Cabinet	ACQ86415101	A310	Tube, Drum(Front)	MJT62002802	K210	Burner Assembly	ABF73170001	M111
Locker Assembly	4027EL1001B	A320	Duct Assembly	ADJ73812901	K240	Burner Assembly	ABF73169801	M150
Screw, Machine	1MTC0402632	A325	Roller Assembly	4581EL2002C	K250	Igniter	MEQ61881101	M160
Switch Assembly, Safety	6601EL3001A	A330	Roller Assembly	4581EL2002C	K250	Orifice	MFX62442001	M170
Switch Assembly, Safety	6601EL3001A	A330	Roller Assembly	4581EL2002C	K250	Parts Assembly	383EEL3002G	M171
Switch Assembly, Safety	6601EL3001A	A330	Roller Assembly	4581EL3001E	K251	Connector, Nozzle	MCD62747501	M175
Frame Assembly	ADV74166903	A390	Roller Assembly	4581EL3001E	K251	Nut, Customized	FAD31312601	M180
Frame Assembly	ADV74529801	A391	Filter Assembly, Lint	ADQ73734401	K310	Gasket	MDS64279001	M181
Door Assembly	ADC72301101	A400	Filter Assembly, Mesh	ADQ73773401	K311	Pipe	MGEE62891101	M190
Locker, Hook	4026EL3007A	A410	Grille	MDX62932901	K315	Pipe	MGEE62991001	M191
Frame, Door(Outer)	MDQ58083001	A420	Guide, Cover	MEA62770801	K320	Thermostat	6931EL3002F	M220
Hinge	4774EL2001A	A430	Guide, Filter	MEA62790801	K330	Thermostat	6931EL3002C	M230
Frame, Door(Inner)	MDQ58083301	A450	Duct Assembly	ADJ73813001	K335	Switch, Micro	3W40025P	M240
Gasket	MDS47263101	A460	Sensor, Pressure	EBD50964602	K340	Switch Assembly, Safety	EBF62015201	M260
Filter Assembly	6201EC1006L	A485	Harness, Single	6631EL3003F	K350	Burner Assembly	ABF73169901	M270
Cabinet Assembly	ABJ73568809	A500	Tube, Drum(Rear)	MJT62002902	K400	Case Assembly	ABQ74272901	M280
Bracket, Base	4810EL3001B	A520	Cover, Rear	MCK67730501	K500			

Titan-C Variations
(RN1870AH4/TCD1870CGS)

Description	Part Name	SVC Loc
Panel Assembly,Control	AGL74078505	A110
Cover, Guide	MCK62998501	A117
Plate Assembly,Top	AGU73729903	A210



Commercial Product Parts List

Parts List: Dryer

Base Model Titan-C (RN1870AN2/TCD1870QGG)

※ Apart from the variation parts, other parts are identical to the Base Model.

Description	Part Name	SVC Loc
Manual Assembly, Owners	AFN75797233	*001
Box, Carton	MAY66696401	*002
Panel Assembly, Control	AGL74078506	A110
Panel Assembly, Control	AGL74078503	A111
Panel, Control	MGC63045804	A112
Panel Assembly, Control	AGL74078507	A113
Button, Control	MBG62329502	A116
PCB Assembly, Display	EBR76556901	A120
PCB Assembly, Main	EBR76992201	A130
Holder Assembly	AEJ33026601	A131
PCB Assembly	EBR77096901	A140
Plate Assembly, Top	AGU73729905	A210
Holder	4930EL1005A	A212
Plate Assembly, Top	AGU73729903	A220
Bracket, Hinge	MAZ47156204	A300
Bracket, Hinge	MAZ47156205	A305
Screw, Taptitte	1APF0402608	A308
Cover Assembly, Cabinet	ACC86415101	A310
Locker Assembly	4027EL1001B	A320
Screw, Machine	1MTC0402632	A325
Switch Assembly, Safety	6601EL3001A	A330
Frame Assembly	ADV74166904	A390
Frame Assembly	ADV74529801	A391
Frame Assembly	ADV74166903	A392
Door Assembly	ADC72301101	A400
Locker, Hook	4026EL3007A	A410
Frame, Door(Outer)	MDQ58083001	A420
Hinge	4774EL2001A	A430
Frame, Door(Inner)	MDQ58083301	A450
Gasket	MD547263101	A460
Filter Assembly	6201EC1006L	A485
Cabinet Assembly	ABJ73568809	A500

Description	Part Name	SVC Loc
Bracket, Base	4810EL3001B	A520
Bracket, Base	4810EL3009E	A525
Bracket, Base	4810EL3009F	A530
Leg	4778EL3001B	A540
Power Cord Assembly	6411ER1006V	A550
Harness, Multi	EAD62502901	A600
Harness, Multi	EAD62503101	A650
Harness, Multi	EAD62503102	A660
Harness, Multi	EAD62503001	A700
Accessory Assembly	AAA75064801	A800
Accessory Assembly	AAA75887101	A900
Duct, Inlet	MCZ62492302	F200
Tub Assembly, Drum	AJQ73274302	K100
Lifter	MFE61921001	K120
Belt, Poly V	4400EL2001D	K130
Gasket	4036EL3001B	K140
Screw, Taptitte	1FTF0503507	K141
Tub, Drum(Front)	MJT62002802	K210
Duct Assembly	ADJ73812901	K240
Roller Assembly	4581EL2002C	K250
Roller Assembly	4581EL3001E	K251
Filter Assembly, Lint	ADQ73734401	K310
Filter Assembly, Mesh	ADQ73773401	K311
Grille	MDX62932901	K315
Guide, Cover	MEA62770801	K320
Guide, Filter	MEA62790801	K330
Duct Assembly	ADJ73813001	K335
Sensor, Pressure	EBD50964602	K340
Harness, Single	6631EL3003F	K350
Tub, Drum(Rear)	MJT62002902	K400
Cover, Rear	MCK67730501	K500

Description	Part Name	SVC Loc
Impeller, Blower	MER62101601	K510
Parts Assembly	383EEL9001X	K515
Housing Assembly, Blower	AEN73572701	K520
Duct Assembly	ADJ73813101	K530
Thermistor, NTC	6323EL2001B	K550
Thermostat	6931EL3002M	K560
Bracket, Motor	4810EL1002A	K600
Motor Assembly, DC, Drum	4681EL1008G	K610
Clamp	4860EL3001A	K620
Motor Assembly, DC, Fan	EAU62125301	K620
Switch, Micro	EBF61734701	K640
Pulley Assembly, Motor	4561EL3002B	K650
Pulley, Idle	4560EL3001A	K651
Screw, Customized	1SZEL3001A	K655
Screw, Tapping	1TPO303218	K660
Burner Assembly	ABF73170001	M111
Burner Assembly	ABF73169801	M150
Igniter	MEQ61881101	M160
Orifice	MFX62442001	M170
Parts Assembly	383EEL3002G	M171
Connector, Nozzle	MCD62747501	M175
Nut, Customized	FAD31312601	M180
Gasket	MD564279001	M181
Pipe	MGE62891101	M190
Pipe	MGE62991001	M191
Thermostat	6931EL3002F	M220
Thermostat	6931EL3002C	M230
Switch, Micro	3W40025P	M240
Switch Assembly, Safety	EBF62015201	M260
Burner Assembly	ABF73169901	M270
Case Assembly	ABQ74272901	M280

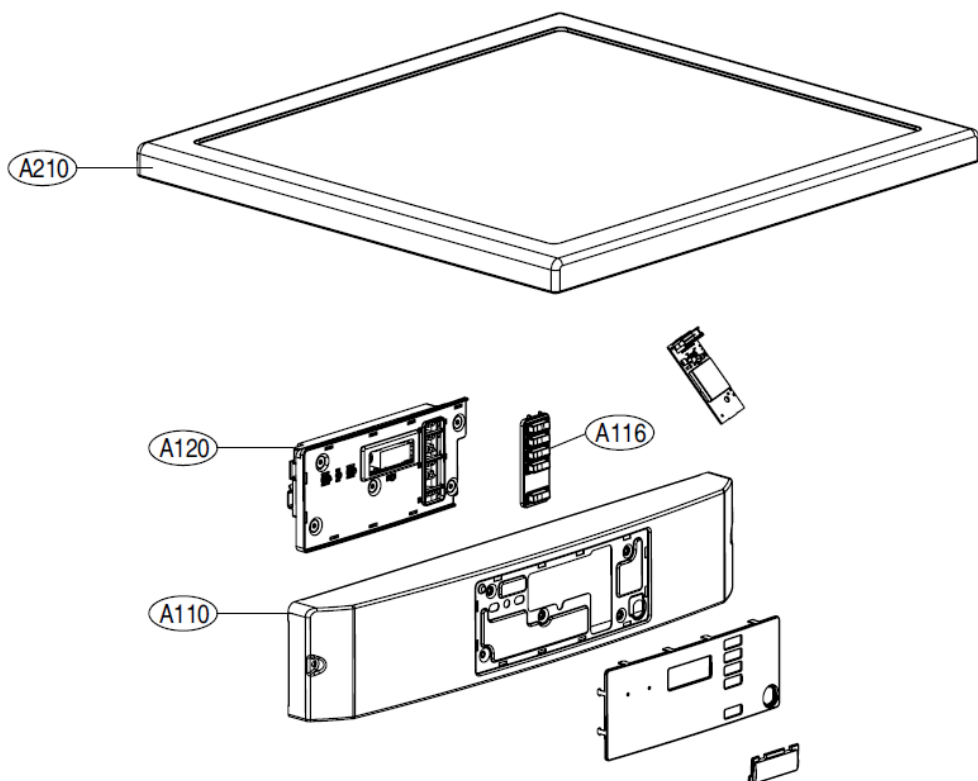
Titan-C Variations
(RN1870AH2/TCD1870CGG)

Description	Part Name	SVC Loc
Panel Assembly, Control	AGL74078508	A110
Panel Assembly, Control	AGL74078502	A111
Cover, Guide	MCK62998501	A117
Frame Assembly	ADV74166903	A390



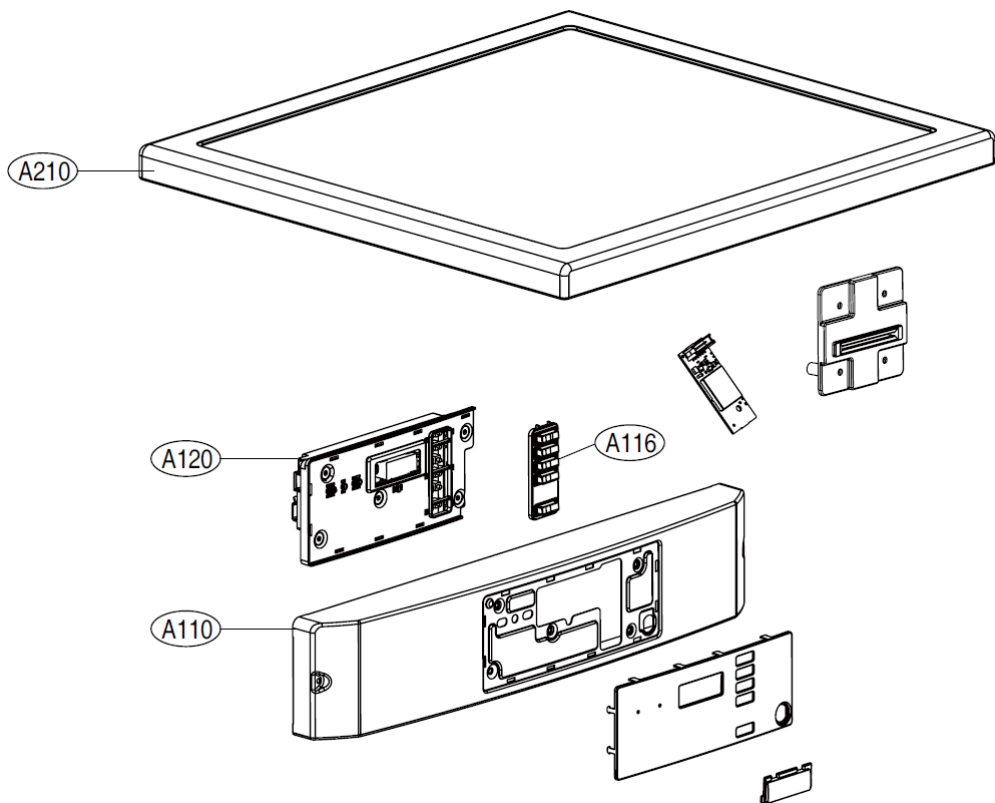
Light Titan-C Gas(RN1840CD*/TLD1840CG*)

Control Panel & Plate Assembly - Coin Type / OPL Type



Light Titan-C Gas(RN1840CD*/TLD1840CG*)

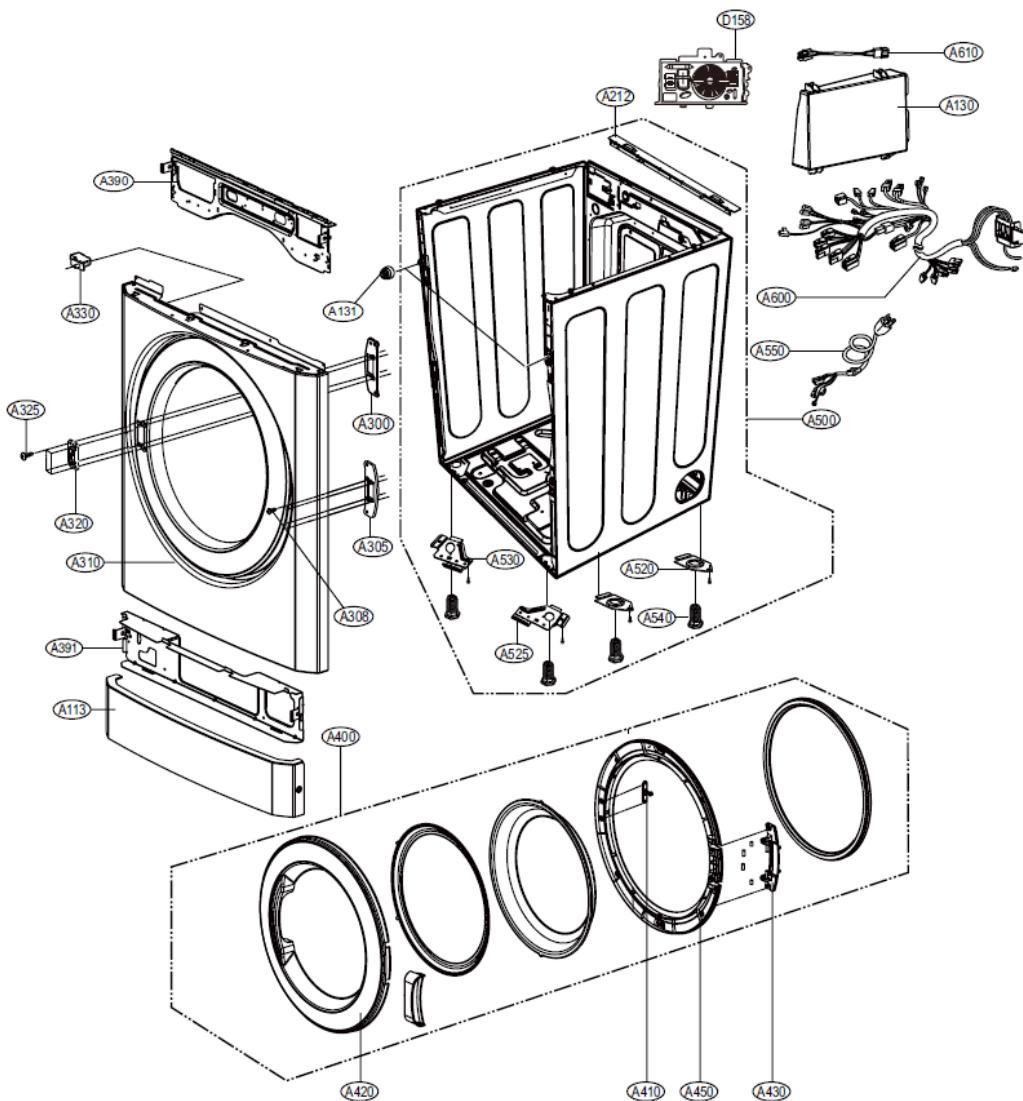
Control Panel & Plate Assembly - Card Type



Parts List: Dryer Exploded View

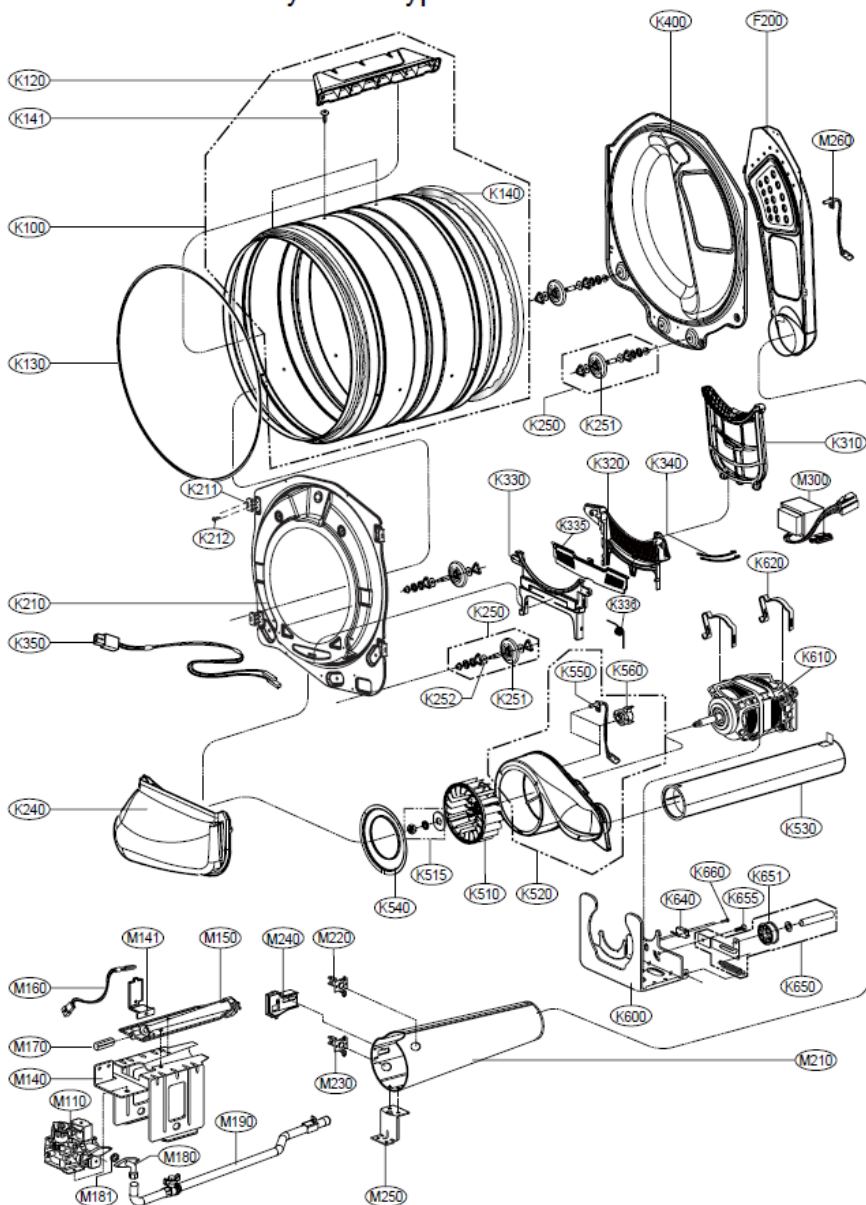
Light Titan-C Gas(RN1840CD*/TLD1840CG*)

Cabinet & Door Assembly - Gas Stack Lower Type



Light Titan-C Gas(RN1840CD*/TLD1840CG*)

Drum & Motor Assembly: Gas Type



Commercial Product Parts List

Parts List: Dryer

Base Model Light Titan-C Gas Single Type (RN1840CD4.ASSEELC/TLD1840CGS)

Description	Part Name	SVC Loc
Manual Assembly,Owners	AFN75797282	*001
Panel Assembly,Control	AGL74078550	A110
Panel,Control	MGC63045812	A113
Button,Control	MBG62329502	A116
PCB Assembly,Display	EBR84561614	A120
PCB Assembly,Main	EBR33344802	A130
Holder Assembly	AEJ33026601	A131
Plate Assembly,Top	AGU73729903	A210
Holder	4930EL1005A	A212
Bracket,Hinge	MAZ47156204	A300
Bracket,Hinge	MAZ47156205	A305
Screw,Taptite	1APF0402608	A308
Cover Assembly,Cabinet	ACQ86415101	A310
Locker Assembly	4027EL1001B	A320
Screw,Machine	1MTC0402632	A325
Switch Assembly,Safety	6601EL3001A	A330
Frame Assembly	ADV74166903	A390
Frame Assembly	ADV74529801	A391
Door Assembly	ADC72301117	A400
Locker,Hook	4026EL3007B	A410
Frame,Door(Outer)	MDQ58083002	A420
Hinge	4774EL2001D	A430
Frame,Door(Inner)	MDQ58083301	A450
Gasket	MDS47263101	A460
Cabinet Assembly	ABJ73568827	A500
Bracket,Base	4810EL3001B	A520
Bracket,Base	4810EL3009E	A525
Bracket,Base	4810EL3009F	A530
Leg	4778EL3001B	A540
Power Cord Assembly	EAD63567563	A550
Harness,Multi	EAD61246530	A600
Harness,Single	EAD52845212	A610
Filter Assembly	EAM62492324	D158
Duct Assembly	ADJ73392904	F200
Tub Assembly,Drum	AJQ73274302	K100
Lifter	MFE61921001	K120
Belt,Poly V	4400EL2001D	K130
Gasket	4036EL3001B	K140
Screw,Tapping	FAB32139906	K141
Tub,Drum(Front)	MJT62002802	K210
Bracket,Tub	4810EL3008A	K211
Screw,Taptite	1SBF0402418	K212
Duct Assembly	ADJ73372401	K240
Roller Assembly	4581EL2002M	K250

Description	Part Name	SVC Loc
Roller Assembly	4581EL3001M	K251
Washer,Customized	4W50100F	K252
Filter Assembly,Lint	ADQ73373201	K310
Guide,Cover	MEA62770801	K320
Guide,Filter	MEA62790801	K330
Cover,Filter	MCK66826301	K335
Spring,Distortion	4970EL4002C	K336
Sensor,Pressure	EBD50964602	K340
Harness,Single	6631EL3003F	K350
Tub,Drum(Rear)	MJT62002902	K400
Casing Assembly	5835EL1002A	K510
Locker,Parts Assembly,SVC	383EEL9001G	K515
Housing,Blower	MEK37661701	K520
Duct Assembly	5209EL1006F	K530
Guide Assembly	4975EL3001A	K540
Thermistor,NTC	6323EL2001B	K550
Thermostat	6931EL3002M	K560
Bracket,Motor	MAZ66065301	K600
Motor Assembly,DC,Drum	EAU64883701	K610
Clamp	4860EL3001A	K620
Switch,Micro	3W40025D	K640
Switch,Micro	EBF61734701	K640
Pulley Assembly,Motor	4561EL3002C	K650
Pulley,Idle	4560EL3001A	K651
Screw,Customized	1SZZEL3001A	K655
Screw,Tapping	1TPL0303218	K660
Valve Assembly,Gas	5221EL2002A	M110
Guide,Burner	4974EL1001A	M140
Bracket,Base	4810EL3002A	M141
Pipe Assembly	5201EL3001A	M150
Igniter	5318EL3001A	M160
Orifice	4948EL4001E	M170
Nozzle,Parts Assembly,SVC	383EEL3002P	M171
Connector,Pipe	4932EL4001A	M180
Gasket	4036EL3002A	M181
Pipe Assembly	5201EL1001A	M190
Funnel	3016EL1001A	M210
Thermostat Assembly	6931EL3004B	M220
Thermostat	6931EL3003H	M230
Sensor Assembly	6501EL3001A	M240
Supporter,Holder	4980EL3001A	M250
Thermistor Assembly,NTC	6323EL2001Q	M260



Parts List: Dryer

Base Model Light Titan-C Gas Single Type (RN1840CD4.ASSEELC/TLD1840CGS)

Titan-C Light Variations
Stack Lower Type
(RN1840CD1/TLD1840CGD)

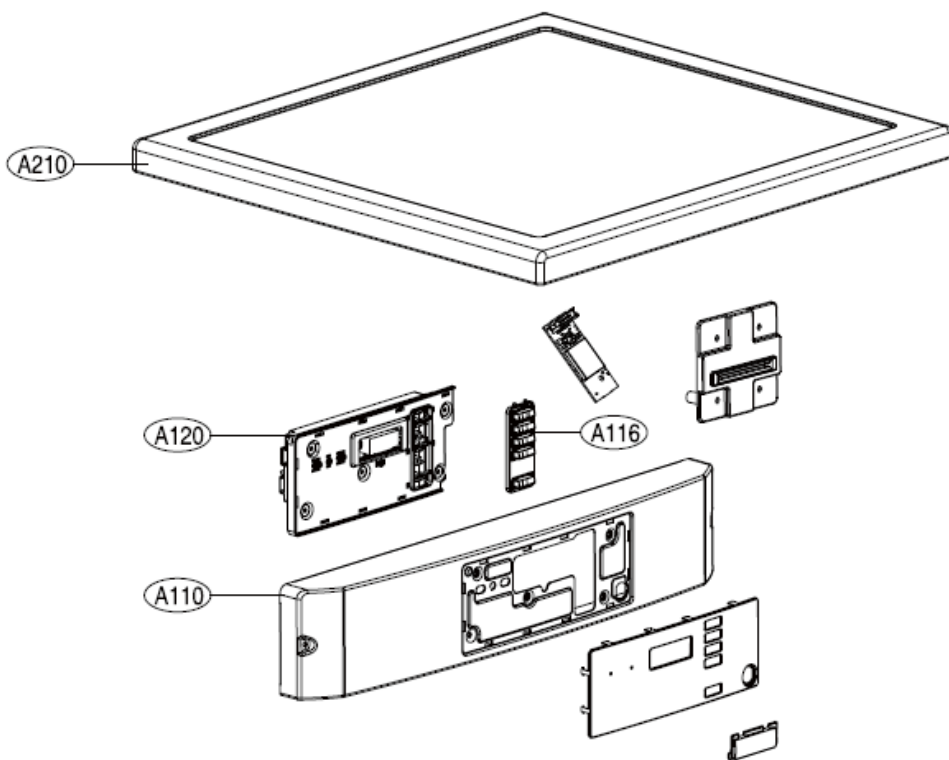
Description	Part Name	SVC Loc
Panel Assembly,Control	AGL74078563	A110
Plate Assembly,Top	AGU73729905	A210

Titan-C Light Variations
Stack Upper Type
(RN1840CD7/TLD1840CGW)

Description	Part Name	SVC Loc
Panel Assembly,Control	AGL74078563	A110
Frame Assembly	ADV74166905	A390
Harness,Multi	EAD61246521	A600
Cable,Assembly	EAD61246604	A601
Package Assembly,Stacking Kit	AGF30609834	A900

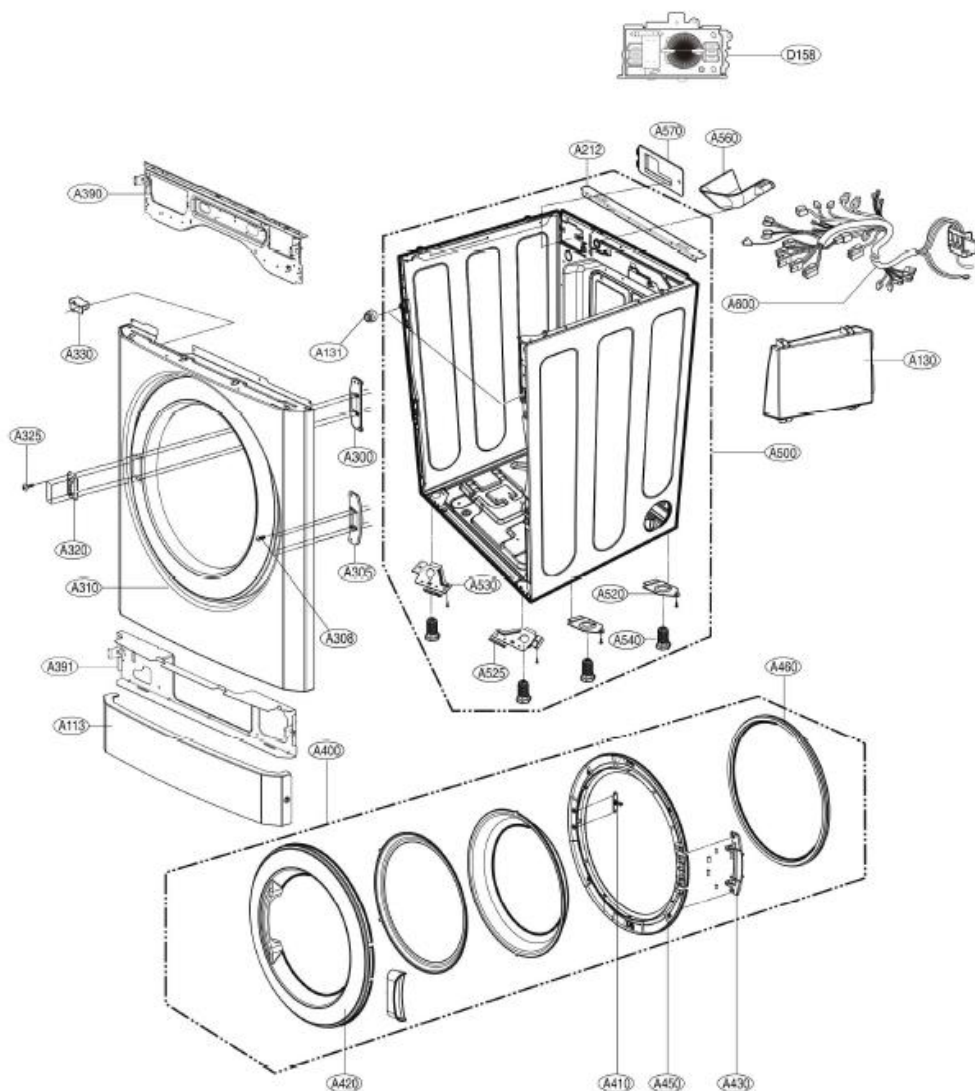


Light Titan-C Elec (RV1840CD*/TLD1840CE*)
Control Panel & Plate Assembly - Card Type



Light Titan-C Elec (RV1840CD*/TLD1840CE*)

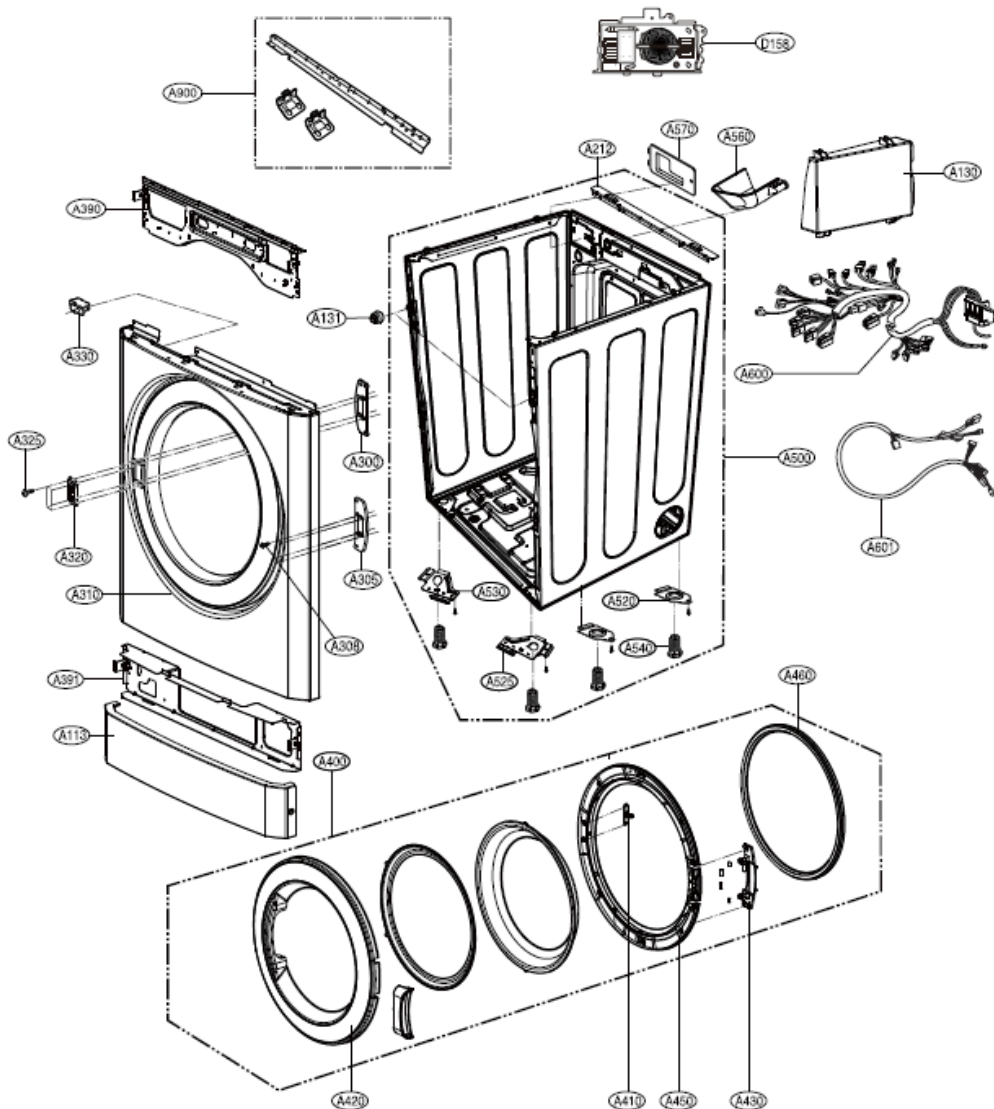
Cabinet & Door Assembly - Electric Stack Lower / Single Type



Parts List: Dryer Exploded View

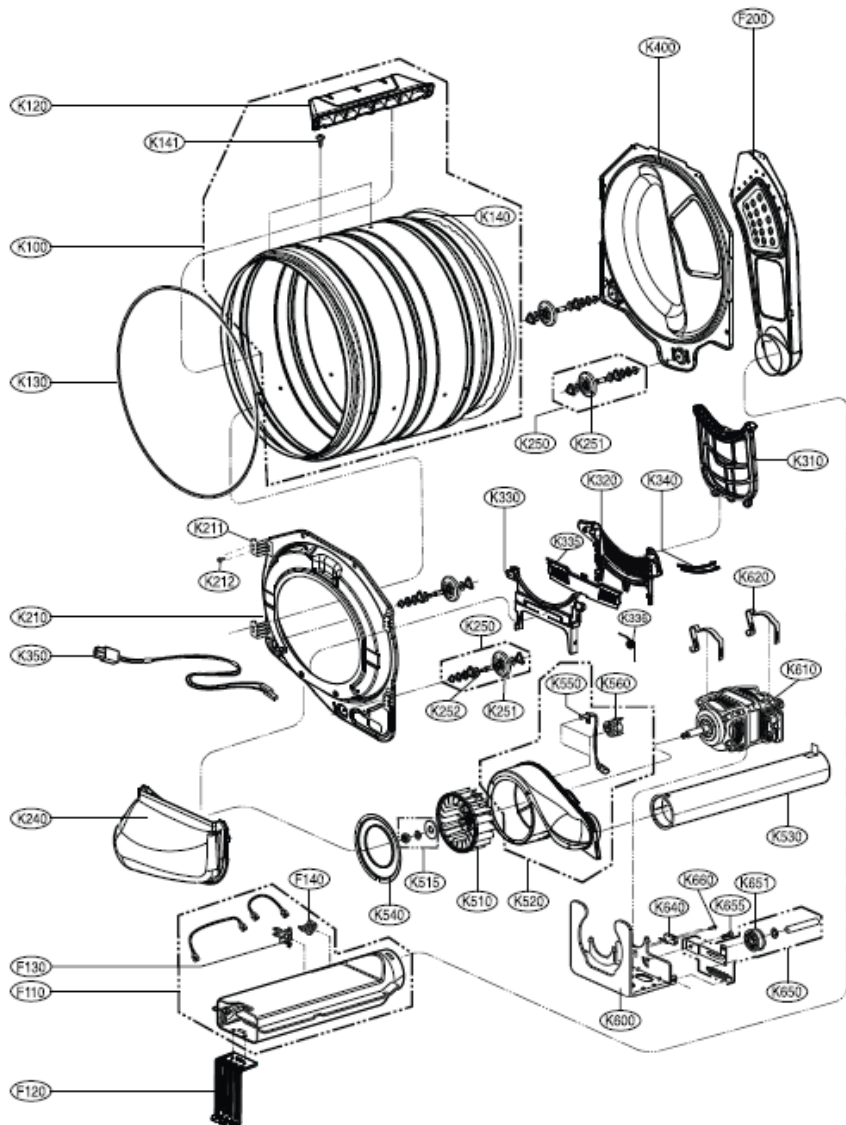
Light Titan-C Elec (RV1840CD*/TLD1840CE*)

Cabinet & Door Assembly - Electric Stack Upper Type



Parts List: Dryer Exploded View

Light Titan-C Elec (RV1840CD*/TLD1840CE*)
 Drum & Motor Assembly: Electric Type



Commercial Product Parts List

Parts List: Dryer

Base Model Light Titan-C Elec Single (RV1840CD4.ASSEELC/TLD1840CES)

Description	Part Name	SVC Loc
Panel Assembly,Control	AGL74078550	A110
Panel,Control	MGC63045812	A113
Button,Control	MBG62329502	A116
PCB Assembly,Display	EBR84561614	A120
PCB Assembly,Main	EBR33344801	A130
Holder Assembly	AEJ33026601	A131
Plate Assembly,Top	AGU73729903	A210
Holder	4930EL1005A	A212
Bracket,Hinge	MAZ47156204	A300
Bracket,Hinge	MAZ47156205	A305
Screw,Taptite	1APF0402608	A308
Cover Assembly,Cabinet	ACQ86415101	A310
Locker Assembly	4027EL1001B	A320
Screw,Machine	1MTC0402632	A325
Switch Assembly,Safety	6601EL3001A	A330
Frame Assembly	ADV74166903	A390
Frame Assembly	ADV74529801	A391
Door Assembly	ADC72301117	A400
Locker,Hook	4026EL3007B	A410
Frame,Door(Outer)	MDQ58083002	A420
Hinge	4774EL2001D	A430
Frame,Door(Inner)	MDQ58083301	A450
Gasket	MDS47263101	A460
Cabinet Assembly	ABJ73568824	A500
Bracket,Base	4810EL3001B	A520
Bracket,Base	4810EL3009E	A525
Bracket,Base	4810EL3009F	A530
Leg	4778EL3001B	A540
Cover,Guide	3550EL3007D	A560
Cover,Safety	3550EL3002A	A570
Harness,Multi	EAD61177524	A600
Filter Assembly	EAM62492324	D158
Heater Assembly	5301EL1001J	F110
Heater Assembly	5301EL1001S	F110
Bracket,Heater	4810EL1007A	F120
Thermostat	6931EL3003D	F130
Thermostat Assembly	6931EL3001F	F140
Duct Assembly	ADJ73392901	F200

Description	Part Name	SVC Loc
Tub Assembly,Drum	AJQ73274302	K100
Lifter	MFE61921001	K120
Belt,Poly V	4400EL2001D	K130
Gasket	4036EL3001B	K140
Screw,Tapping	FAB32139906	K141
Tub,Drum(Front)	MJT62002802	K210
Bracket,Tub	4810EL3008A	K211
Screw,Taptite	15BF0402418	K212
Duct Assembly	ADJ73372401	K240
Roller Assembly	4581EL2002M	K250
Roller Assembly	4581EL3001M	K251
Washer,Customized	4W50100F	K252
Filter Assembly,Lint	ADQ73373201	K310
Guide,Cover	MEA62770801	K320
Guide,Filter	MEA62790801	K330
Cover,Filter	MCK66826301	K335
Spring,Distortion	4970EL4002C	K336
Sensor,Pressure	EBD50964602	K340
Harness,Single	6631EL3003F	K350
Tub,Drum(Rear)	MJT62002902	K400
Casing Assembly	5835EL1002A	K510
Locker,Parts Assembly,SVC	383EEL9001G	K515
Housing,Blower	MEK37661701	K520
Duct Assembly	5209EL1006F	K530
Guide Assembly	4975EL3001A	K540
Thermistor,NTC	6323EL2001B	K550
Thermostat	6931EL3002M	K560
Bracket,Motor	MAZ66065301	K600
Motor Assembly,DC,Drum	EAU64883701	K610
Clamp	4860EL3001A	K620
Switch,Micro	3W40025D	K640
Switch,Micro	EBF61734701	K640
Pulley Assembly,Motor	4561EL3002C	K650
Pulley,Idle	4560EL3001A	K651
Screw,Customized	15ZZEL3001A	K655
Screw,Tapping	1TPL0303218	K660



Base Model Light Titan-C Elec Single (RV1840CD4.ASSEELC/TLD1840CES)

Light Titan-C Variations
Stack Lower Type
(RV1840CD1/TLD1840CED)

Description	Part Name	SVC Loc
Panel Assembly,Control	AGL74078563	A110
Plate Assembly,Top	AGU73729905	A210

Light Titan-C Variations
Stack Upper Type
(RV1840CD7/TLD1840CEW)

Description	Part Name	SVC Loc
Panel Assembly,Control	AGL74078563	A110
Frame Assembly	ADV74166905	A390
Harness,Multi	EAD61177526	A600
Cable,Assembly	EAD61246605	A601
Package Assembly,Stacking Kit	AGF30609834	A900



Warranty Card

Guarantee & Warranty Terms and Conditions

Thank you for purchasing this product. We are confident you will enjoy using it for many years to come.

Products	Warranty Period
Washing Machine	3 Years
Dryer	3 Years

- To obtain repair or a replacement part, please contact your local LG authorized dealer and distributor.
- Submit a copy of dealer’s dated bill of sale or delivery ticket as evidence of the Date of Purchase for proof of warranty at the time repair or replacement part is provided.
- Defective parts return is required to obtain repair or a replacement part.

Parts	Warranty Period
Washer : Direct Drive Motor, Bearing, Seal, Shaft, Inner Drum and Outer Tub	5 Years

- No labor and shipping costs covered (Customer is responsible for these costs.)
- Replacement products and parts may be new or remanufactured, are warranted for the remaining portion of the original product’s warranty period.
- If the original date of purchase cannot be verified, the warranty will begin on the 1st day of manufacture month.

The LIMITED WARRANTY DOES NOT APPLY TO

1. Service trips to deliver, pick up, installation, educate how to operate, replace fuses, correct wiring, or correction of unauthorized repairs.
2. Damage or failure of the Product to perform during power failures and interruptions or inadequate electrical service.
3. Damage or failure caused by leaky or broken water pipes, frozen water pipes, restricted drain lines, inadequate or interrupted water supply or inadequate supply of air.
4. Damage or failure resulting from running the Product in a corrosive atmosphere or contrary to the instructions outlined in the Product owner’s manual.
5. Damage to or failure of the Product caused by accidents, pest and vermin, lightning, wind, fire, floods, or acts of God.
6. Damage or failure resulting from misuse, abuse, improper installation, repair, maintenance, or foreign objects placed in or connected to the Product. Improper repair to include use of parts not approved or specified by LG.
7. Damage or failure caused by unauthorized modification, accessories, alteration, or if it is used for other than intended purpose.
8. Damage or failure caused by incorrect electrical current, voltage, plumbing codes, components or consumable cleaning products that are not approved by LG.
9. Damage or failure caused by transportation and handling, including scratches, dents, chips, and/or other damage to the finish of your Product, unless such damage results from defects in materials or workmanship and is reported within one (1) week of delivery.
10. Damage to or failure of any display, open box, discounted, or refurbished Product.
11. Product with original serial numbers that have been removed, altered or can not be readily determined.
12. Increases in utility costs and additional utility expenses.
13. Replacement of light bulbs, filters or any consumable parts.
14. Any accessories and software not approved or specified by LG including, but not limited to, coin drop meter, coin slide mechanism, coin vault and locks, debit card modules and cards, debit card system accessories.



Parts Order Process & Warranty

Warranty: Washer

LG ELECTRONICS, INC.
LG COMMERCIAL LAUNDRY LIMITED WARRANTY.

Should any functional part in your **LG Commercial Washer** (“Product”) fail due to a defect in material or workmanship under normal use during the warranty period set forth below, LG Electronics, Inc. (“LG”) will, at its option, either repair or provide a replacement part. This limited warranty is valid only to the original retail purchaser of the Product (“Customer” or “You”) and applies only when purchased and used within the country. Proof of original purchase is required to obtain repair or a replacement part under this limited warranty.

WARRANTY PERIOD:

PARTS (Functional Parts Only):

- **Three (3) years** from the Date of Purchase. (NOT Cosmetic parts)
- **Five (5) years** from the Date of Purchase: Direct drive motor, bearing, seal, shaft, inner drum and outer tub.
- **NO labor and shipping costs** covered. (Customer is responsible for these costs).
- Replacement products and parts may be new or remanufactured, and are warranted for the remaining portion of the original product’s warranty period.

NOTE: If the original date of purchase cannot be verified, the warranty will begin on the 1st day of the manufacture month.

HOW SERVICE IS HANDLED:

To obtain repair or a replacement part, please contact your local LG authorized dealer / distributor.

Submit a copy of dealer’s dated bill of sale or delivery ticket as evidence of the Date of Purchase for proof of warranty at the time repair or a replacement part is provided.

Defective parts return is required to obtain repair or a replacement part.

To locate your local LG authorized dealer / distributor,

Or visit our Web site at:
<http://www.lgcommerciallaundry.com>

THE LIMITED WARRANTY DOES NOT APPLY TO:

1. Service trips to deliver, pick up, installation, educate how to operate, replace fuses, correct wiring, or correction of unauthorized repairs.
2. Damage or failure of the Product to perform during power failures and interruptions or inadequate electrical service.
3. Damage or failure caused by leaky or broken water pipes, frozen water pipes, restricted drain lines, inadequate or interrupted water supply or inadequate supply of air.
4. Damage or failure resulting from running the Product in a corrosive atmosphere or contrary to the instructions outlined in the Product owner’s manual.
5. Damage to or failure of the Product caused by accidents, pest and vermin, lightning, wind, fire, floods, or acts of God.
6. Damage or failure resulting from misuse, abuse, improper installation, repair, maintenance, or foreign objects placed in or connected to the Product. Improper repair to include use of parts not approved or specified by LG.
7. Damage or failure caused by unauthorized modification, accessories, alteration, or if it is used for other than intended purpose.
8. Damage or failure caused by incorrect electrical current, voltage, plumbing codes, components or consumable cleaning products that are not approved by LG.
9. Damage or failure caused by transportation and handling, including scratches, dents, chips, and/or other damage to the finish of your Product, unless such damage results from defects in materials or workmanship and is reported within one (1) week of delivery.
10. Damage to or failure of any display, open box, discounted, or refurbished Product.
11. Product with original serial numbers that have been removed, altered or can not be readily determined.
12. Increases in utility costs and additional utility expenses.
13. Replacement of light bulbs, filters or any consumable parts.
14. Any accessories and software not approved or specified by LG including, but not limited to, coin drop meter, coin slide mechanism, coin vault and locks, debit card modules and cards, debit card system accessories.



Warranty: Dryer

**LG ELECTRONICS, INC.
LG COMMERCIAL LAUNDRY LIMITED WARRANTY.**

Should any functional part in your **LG Commercial Dryer** (“Product”) fail due to a defect in material or workmanship under normal use during the warranty period set forth below, LG Electronics, Inc. (“LG”) will, at its option, either repair or provide a replacement part. This limited warranty is valid only to the original retail purchaser of the Product (“Customer” or “You”) and applies only when purchased and used within the country. Proof of original purchase is required to obtain repair or a replacement part under this limited warranty.

WARRANTY PERIOD:

PARTS (Functional Parts Only):

▪ **Three (3) years** from the Date of Purchase. (All Parts)

▪ **NO labor and shipping costs** covered.
(Customer is responsible for these costs).

▪ Replacement products and parts may be new or remanufactured, and are warranted for the remaining portion of the original product’s warranty period.

NOTE: If the original date of purchase cannot be verified, the warranty will begin on the 1st day of the manufacture month.

HOW SERVICE IS HANDLED:

To obtain repair or a replacement part, please contact your local LG authorized dealer / distributor.

Submit a copy of dealer’s dated bill of sale or delivery ticket as evidence of the Date of Purchase for proof of warranty at the time repair or a replacement part is provided.

Defective parts return is required to obtain repair or a replacement part.

To locate your local LG authorized dealer / distributor,

Or visit our Web site at:
<http://www.lgcommerciallaundry.com>

THE LIMITED WARRANTY DOES NOT APPLY TO:

1. Service trips to deliver, pick up, installation, educate how to operate, replace fuses, correct wiring, or correction of unauthorized repairs.
2. Damage or failure of the Product to perform during power failures and interruptions or inadequate electrical service.
3. Damage or failure caused by leaky or broken water pipes, frozen water pipes, restricted drain lines, inadequate or interrupted water supply or inadequate supply of air.
4. Damage or failure resulting from running the Product in a corrosive atmosphere or contrary to the instructions outlined in the Product owner’s manual.
5. Damage to or failure of the Product caused by accidents, pest and vermin, lightning, wind, fire, floods, or acts of God.
6. Damage or failure resulting from misuse, abuse, improper installation, repair, maintenance, or foreign objects placed in or connected to the Product. Improper repair to include use of parts not approved or specified by LG.
7. Damage or failure caused by unauthorized modification, accessories, alteration, or if it is used for other than intended purpose.
8. Damage or failure caused by incorrect electrical current, voltage, plumbing codes, components or consumable cleaning products that are not approved by LG.
9. Damage or failure caused by transportation and handling, including scratches, dents, chips, and/or other damage to the finish of your Product, unless such damage results from defects in materials or workmanship and is reported within one (1) week of delivery.
10. Damage to or failure of any display, open box, discounted, or refurbished Product.
11. Product with original serial numbers that have been removed, altered or can not be readily determined.
12. Increases in utility costs and additional utility expenses.
13. Replacement of light bulbs, filters or any consumable parts.
14. Any accessories and software not approved or specified by LG including, but not limited to, coin drop meter, coin slide mechanism, coin vault and locks, debit card modules and cards, debit card system accessories.



