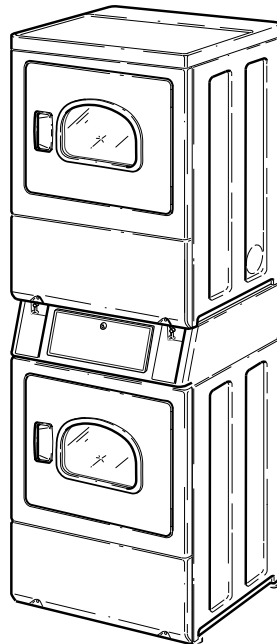


Commercial Dryers

Metered and Nonmetered
Models Starting Serial No. 2001000001

Refer to Page 3 for Model Numbers



DRY727C_D518145

Table of Contents

Title	Page
Parts Ordering Information.....	2
Serial Plate Location	2
Model Identification	3
Control Panel and Controls - Coin Drop and Card Models (Drawing 1 of 2).....	4
Control Panel and Controls - Coin Drop and Card Models (Drawing 2 of 2).....	6
Control Cabinet Controls - Coin Drop Models.....	8
Non-Electronic Coin Drop	10
Electronic Coin Drop	12
Control Cabinet Controls - Card Ready Models.....	14
Network Board Assembly.....	16
Control Panel and Controls - Nonmetered.....	18
Control and Control Panel - Coin Slide Models	20
Coin Slide Extension Kit.....	22
Loading Door Without Window	24
Loading Door With Window	26
Access Panel, Front Panel and Seal	28
Motor, Exhaust Fan and Belt	30
Front Bulkhead, Air Duct, Felt Seal and Cylinder	32
Rear Bulkhead, Felt Seal, Cylinder Roller and Terminal Block.....	34
Heater Duct and Element Assembly - Electric Model Dryers.....	36
Heater Duct Assembly - Gas Model Dryers.....	38
Gas Valve, Ignitor and Gas Conversion Kits - Gas Models	40
Burner Orifice Spuds - For Higher Elevations.....	42
Cabinet, Exhaust Duct and Base	44
Cabinet Top	46
Power Cord.....	48
Terminal Block and Terminals	50
Terminals	52
Terminals and Terminal Extractor Tools	54
Wires and Wire Harnesses	56
Label Location on Rear of Cabinet	58
Parts Index.....	61

© Copyright 2025, Alliance Laundry Systems LLC

All rights reserved. No part of the contents of this book may be reproduced or transmitted in any form or by any means without the expressed written consent of the publisher.

Parts Ordering Information

If literature or replacement parts are required, contact the source from whom the machine was purchased or contact Alliance Laundry Systems at (920) 748-3950 for the name and address of the nearest authorized parts distributor.

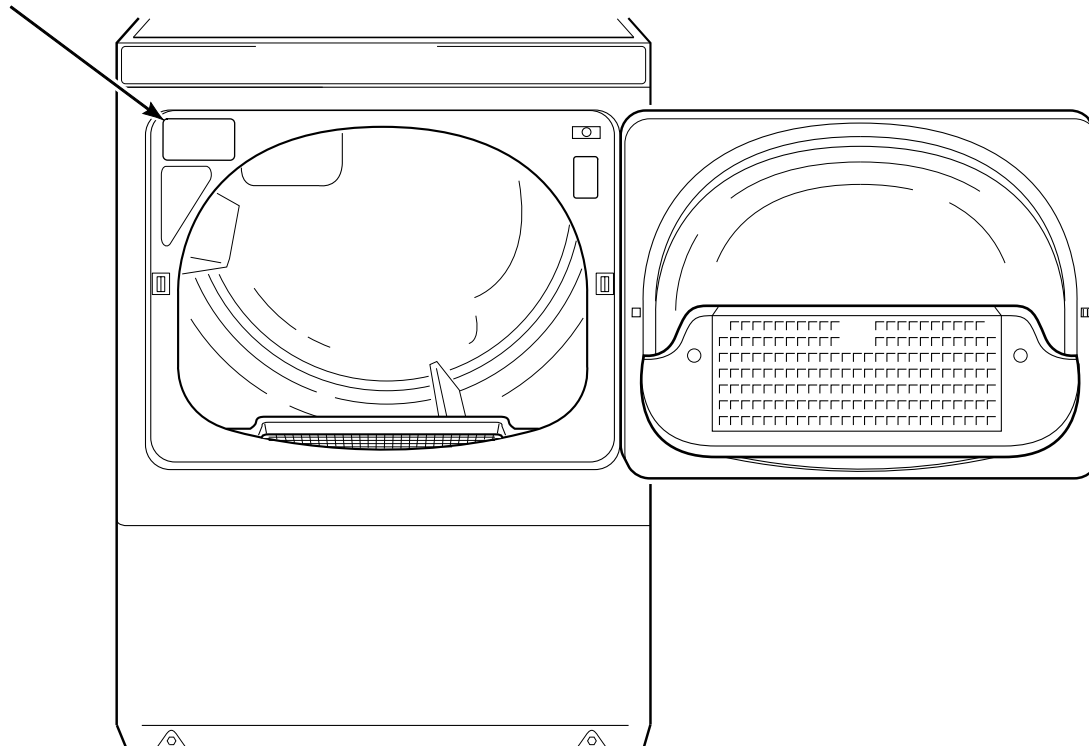
For technical assistance, call the number listed below:

(920) 748-3121 Ripon, Wisconsin

Serial Plate Location

When calling or writing about your product, be sure to mention model and serial numbers. Model and serial numbers are located on serial plate(s) as shown.

Serial Plate



DRY2283P_D518145

Model Identification

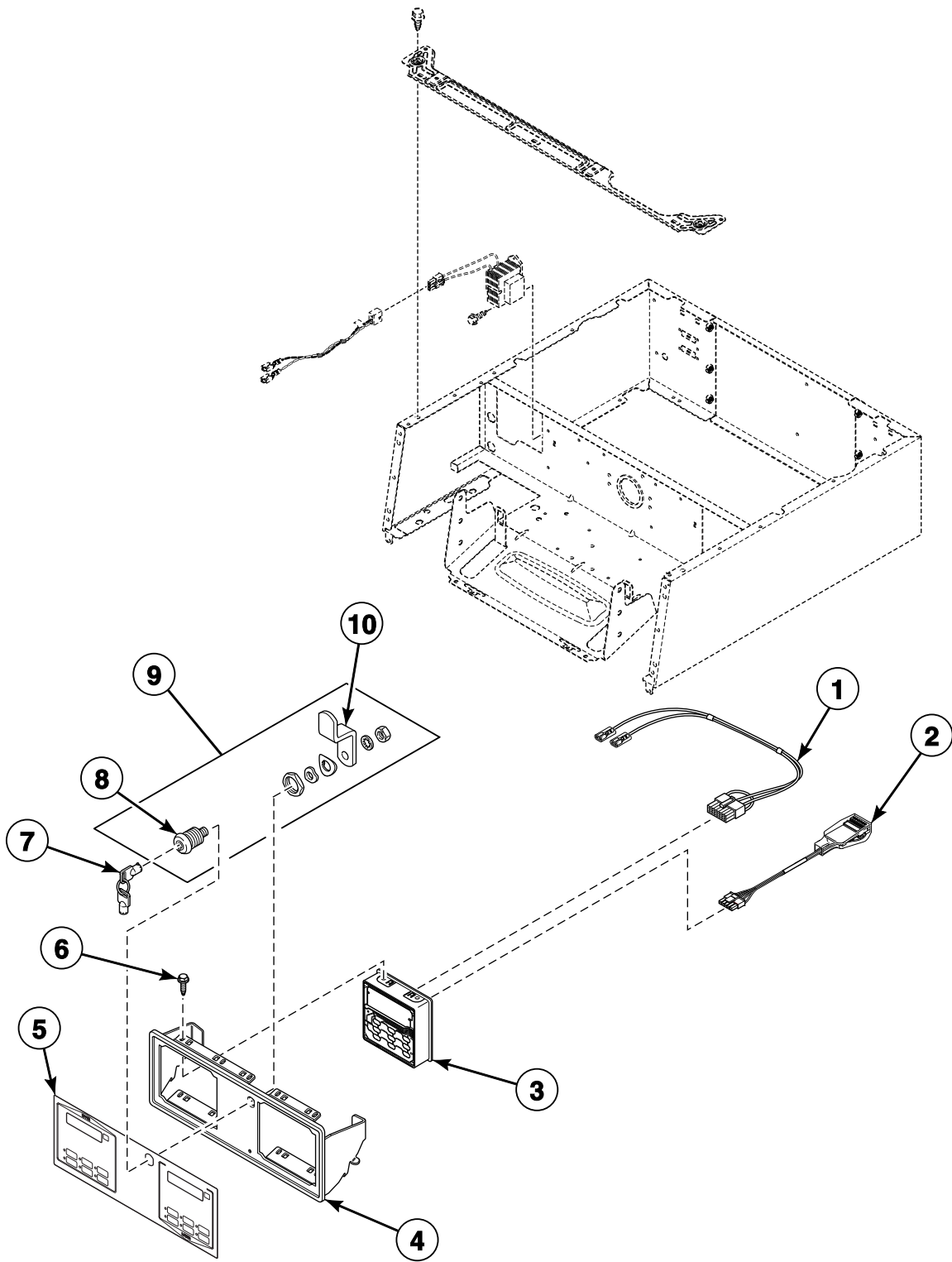
Information in this manual is applicable to these dryer models:

HSEBCAGS173TW01	SSEMNAGS153TW01
HSEBCAGS176TW01	SSEMNAGS173TW01
HSEBCAGW173TW01	SSESXAGS153TW01
HSEBCAGW176TW01	SSESXAGS173TW01
HSEBDAGW293CW01	SSESXAGW173TW01
HSEBEAGW293CW01	SSGMNAGS113TW01
HSEBYAGS173TW01	SSGSXAGS113TW01
HSEBYAGS176TW01	SSGSXAGW113TW01
HSEBYAGW173TW01	USEMNAGS173TW01
HSEBYAGW176TW01	USGMNAGS113TW01
HSEBYAGW283CW01	
HSEBYAGW293CW01	
HSESXAGW173TW01	
HSGBCAGS113TW01	
HSGBCAGW113TW01	
HSGBCAGS116TW01	
HSGBCAGW116TW01	
HSGBDAGW093CW01	
HSGBXAGW093CW01	
HSGBYAGS113TW01	
HSGBYAGS116TW01	
HSGBYAGW093CW01	
HSGBYAGW113TW01	
HSGBYAGW116TW01	
HSGSXAGW093CW01	
HSGSXAGW113TW01	
KSEBXAGS175TW01	
KSEBXAGS176TW01	
KSEMNAGS173TW01	
KSGBXAGS115TW01	
KSGBXAGS116TW01	
KSGMNAGS113TW01	

Control Panel and Controls - Coin Drop and Card Models (Drawing 1 of 2)

REF	PART NO.	DESCRIPTION	COMMENTS
1	804795	Transformer Harness	Models HSEBYAGW176TW01, HSGBCAGS113TW01, HSGBCAGS116TW01, HSGBCAGW113TW01, HSGBCAGW116TW01, HSGBDAGW093CW01, HSGBXAGW093CW01, HSGBYAGS113TW01, HSGBYAGS116TW01, HSGBYAGW093CW01, HSGBYAGW113TW01, HSGBYAGW116TW01, KSGBXAGS115TW01 and KSGBXAGS116TW01
	D514072	Transformer Harness	All other models
2	D503688	Screw	
3	202757P	Transformer	
4	804018	Shield Bracket	

Control Panel and Controls - Coin Drop and Card Models (Drawing 2 of 2)

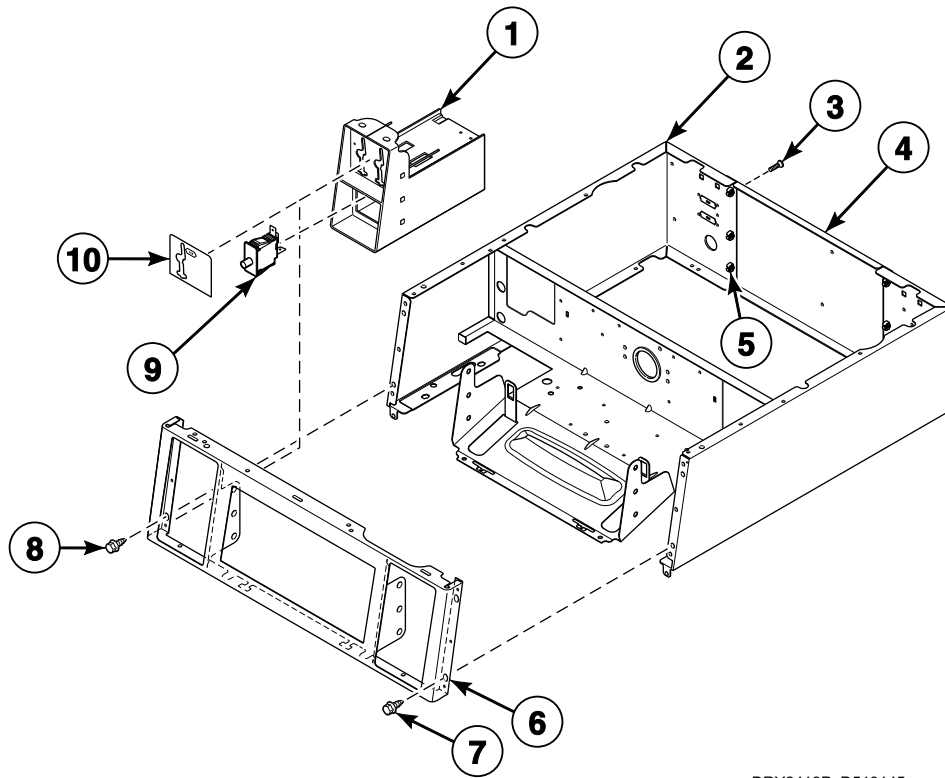


DRY2407PA

Control Panel and Controls - Coin Drop and Card Models (Drawing 2 of 2)

REF	PART NO.	DESCRIPTION	COMMENTS
1	202868	Wiring Harness Assembly	Models HSEBYAGS173TW01, HSEBYAGS176TW01, HSEBYAGW173TW01, HSEBYAGW176TW01, HSEBYAGW283CW01, HSEBYAGW293CW01, HSGBYAGS113TW01, HSGBYAGS116TW01, HSGBYAGW093CW01, HSGBYAGW113TW01 and HSGBYAGW116TW01
2	203361P	Machine ID Control Assembly	Models HSEBCAGS173TW01, HSEBCAGW173TW01, HSEBDAGW293CW01, HSEBEAGW293CW01, HSEBYAGS173TW01, HSEBYAGW173TW01, HSEBYAGW283CW01, HSEBYAGW293CW01, HSGBCAGS113TW01, HSGBCAGW113TW01, HSGBDAGW093CW01, HSGBXAGW093CW01, HSGBYAGS113TW01, HSGBYAGW093CW01, HSGBYAGW113TW01, KSEBXAGS175TW01 and KSGBXAGS115TW01; Model or serial number is required when ordering
3	D518647	Control Assembly	Models HSEBCAGS176TW01, HSEBCAGW176TW01, HSEBYAGS176TW01, HSEBYAGW176TW01, HSGBCAGS116TW01, HSGBCAGW116TW01, HSGBYAGS116TW01, HSGBYAGW116TW01, KSEBXAGS176TW01 and KSGBXAGS116TW01
	D517522	Control Assembly	
4	807640W	Control Panel and Bracket Assembly	Models HSEBCAGS176TW01, HSEBCAGW176TW01, HSEBYAGS176TW01, HSEBYAGW176TW01, HSGBCAGS116TW01, HSGBCAGW116TW01, HSGBYAGS116TW01, HSGBYAGW116TW01, KSEBXAGS176TW01 and KSGBXAGS116TW01
	D513778W	Control Panel and Bracket Assembly	All other models
5	D515542	Control Overlay	Models HSEBCAGS173TW01, HSEBCAGW173TW01, HSEBDAGW293CW01, HSEBEAGW293CW01, HSEBYAGS173TW01, HSEBYAGW173TW01, HSEBYAGW283CW01, HSEBYAGW293CW01, HSGBCAGS113TW01, HSGBCAGW113TW01, HSGBDAGW093CW01, HSGBXAGW093CW01, HSGBYAGS113TW01, HSGBYAGW093CW01 and HSGBYAGW113TW01
	D517899	Control Overlay	Models KSEBXAGS175TW01 and KSGBXAGS115TW01
	D518084	Control Overlay	Models HSEBCAGS176TW01, HSEBCAGW176TW01, HSEBYAGS176TW01, HSEBYAGW176TW01, HSGBCAGS116TW01, HSGBCAGW116TW01, HSGBYAGS116TW01 and HSGBYAGW116TW01
	D518090	Control Overlay	Models KSEBXAGS176TW01 and KSGBXAGS116TW01
	D515540	Control Overlay	All other models
6	D501524	Screw	
7	54612	Key	800
8	807761	Lock Assembly	Models HSEBCAGS176TW01, HSEBCAGW176TW01, HSEBYAGS176TW01, HSEBYAGW176TW01, HSGBCAGS116TW01, HSGBCAGW116TW01, HSGBYAGS116TW01, HSGBYAGW116TW01, KSEBXAGS176TW01 and KSGBXAGS116TW01
9	27260P	Lock Kit	Includes item 13
10	807760	Lock Cam	Models HSEBCAGS176TW01, HSEBCAGW176TW01, HSEBYAGS176TW01, HSEBYAGW176TW01, HSGBCAGS116TW01, HSGBCAGW116TW01, HSGBYAGS116TW01, HSGBYAGW116TW01, KSEBXAGS176TW01 and KSGBXAGS116TW01
	804338	Lock Cam	

Control Cabinet Controls - Coin Drop Models



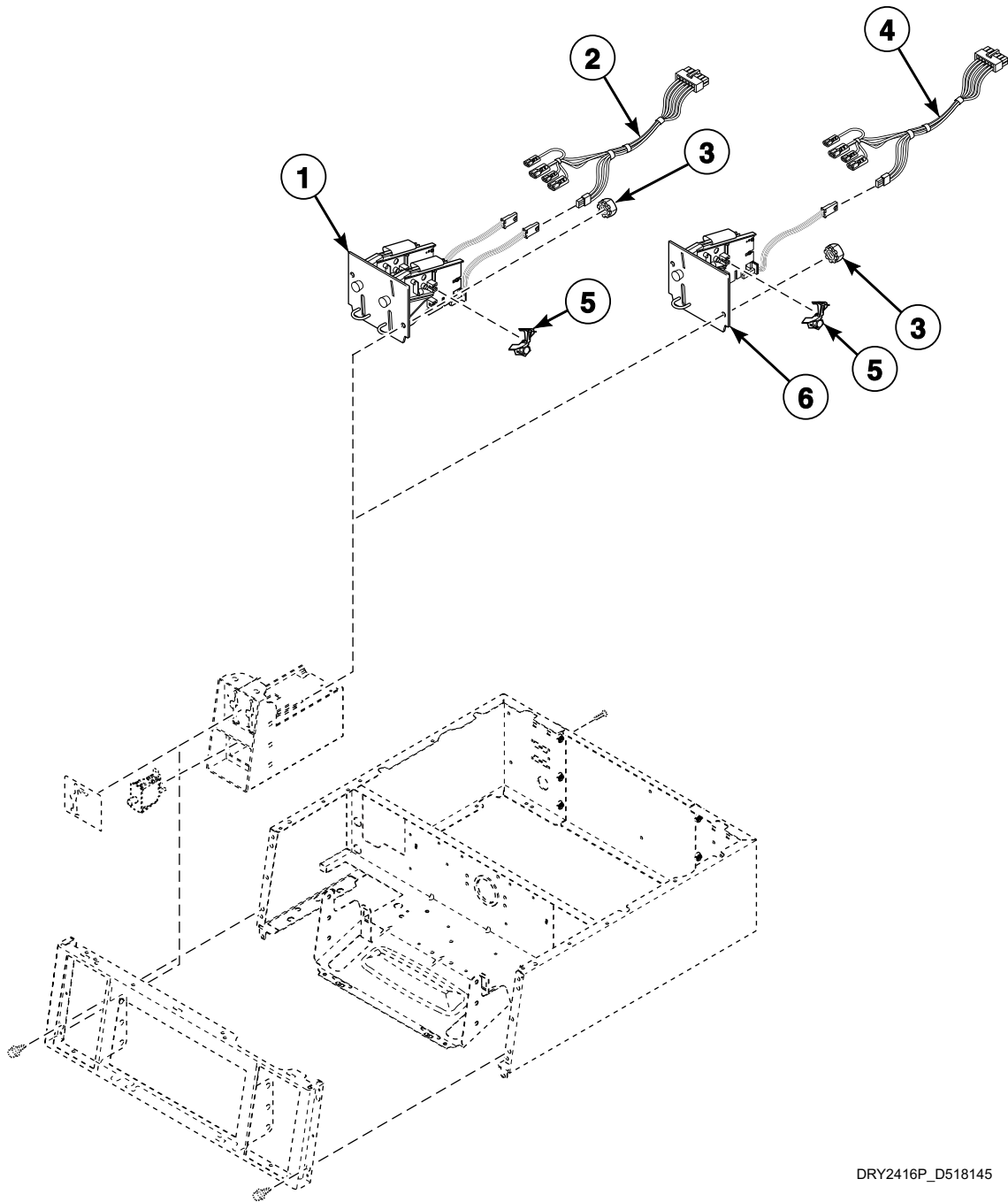
DRY2418P_D518145

Control Cabinet Controls - Coin Drop Models

REF	PART NO.	DESCRIPTION	COMMENTS
	44087201	Nut	4 required; Use with item 8
1	807396W	Meter Case Assembly	White; Requires high capacity coin vault
2	804104W	Wrapper Assembly	White
3	70240301	Screw	6 required
4	807646	Rear Access Panel	
5	70030501	Expansion Clip	6 required
6	803964W	Control Panel	White
7	D503688	Screw	
8	29651	Bolt	4 required
9	D512973	Switch	
10	38717	Single Overlay	For use with non-electronic coin drops
	201091	Overlay	For use with electronic coin drops
	39073	Dual Overlay	

Non-Electronic Coin Drop

Coin Drop Models



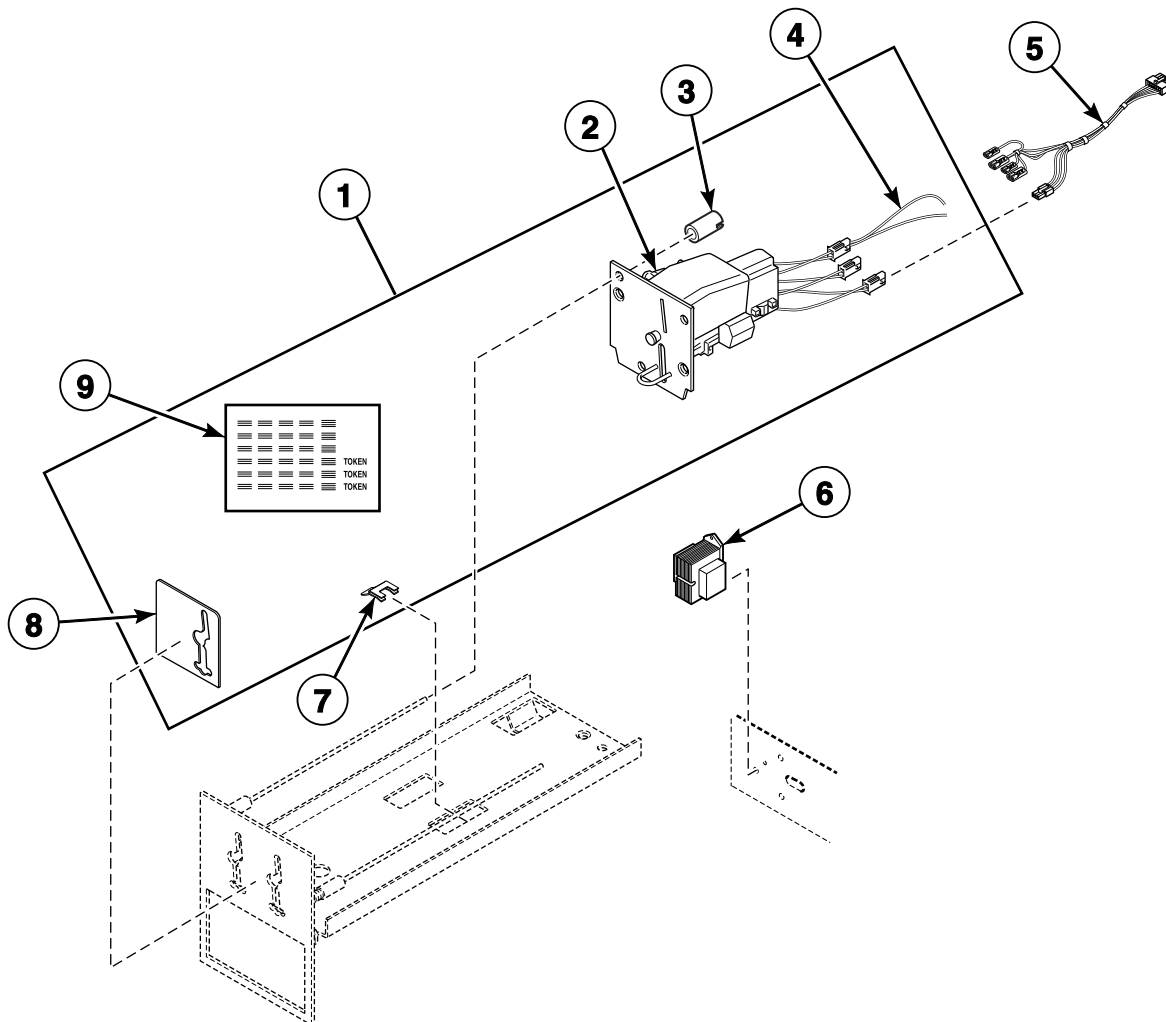
DRY2416P_D518145

Non-Electronic Coin Drop

REF	PART NO.	DESCRIPTION	COMMENTS
1	70441602	Coin Drop Assembly	Canada; 0.25 and 1.00
	70441603	Coin Drop	U.S.A.; \$0.25 and \$1.00
2	204915	Dual Coin Harness Assembly	Models KSEBXAGS176TW01 and KSGBXAGS116TW01
	202871	Dual Coin Harness Assembly	All other models
3	29786	Nut	
4	204914	Single Coin Harness Assembly	Models HSEBCAGS176TW01, HSEBCAGW176TW01, HSGBCAGS116TW01 and HSGBCAGW116TW01
	202870	Single Coin Harness Assembly	All other models
5	201595P	Wire Guard	Anti-stringing security device
6	38462P	Coin Drop Assembly	Token; 118-1 mzp; .880 diameter x .079 thick; Brass
	38463	Coin Drop Assembly	Token; 118-5 mzp; .990 diameter x .081 thick; Silver
	38464P	Coin Drop Assembly	Canada; 0.25
	70441601P	Coin Drop	USA; \$0.25
	38963P	Coin Drop	Token 118-16 not available

Electronic Coin Drop

Coin Models



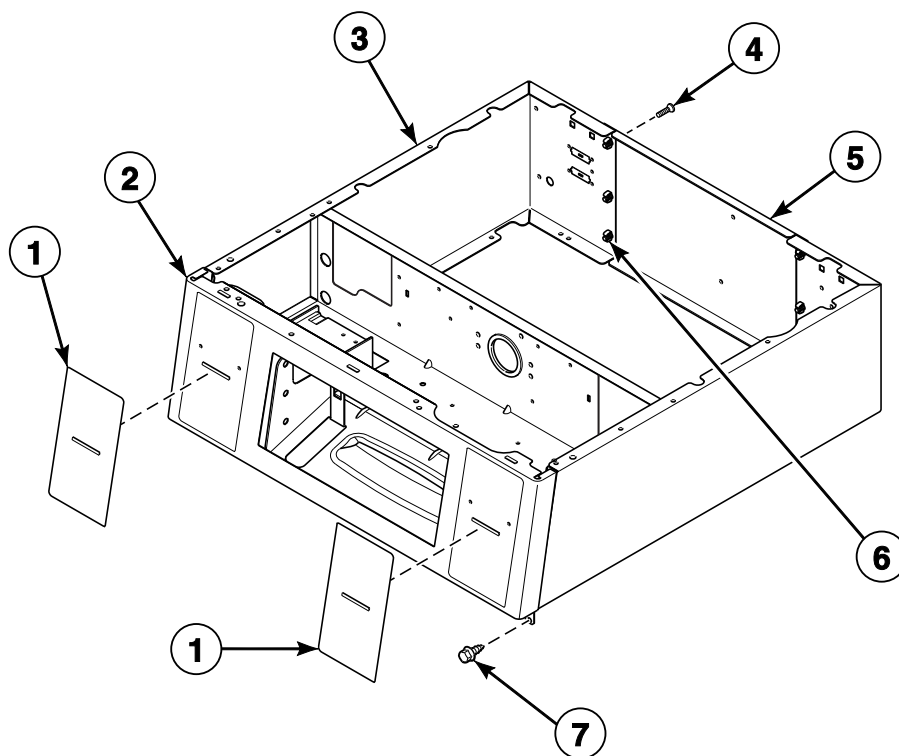
FLW1005P_D518145

Electronic Coin Drop

REF	PART NO.	DESCRIPTION	COMMENTS
1	CK110	Electronic Coin Drop Kit	Includes items 2-4 and 7-9; Mexico, Ecuador and United States coins
	CK115	Electronic Coin Drop Kit	Includes items 2-4 and 7-9; United States and Canada coins
2	70513306	Electronic Coin Drop Assembly	Mexico, Ecuador and United States coins
	70294122	Electronic Coin Drop Assembly	Great Britain and token coins
3	201216	Nut	
	29786	Nut	Use on front control models with no guide rods
4	201104	Coin Drop Wire Harness	
5	204915	Dual Coin Harness Assembly	Electronic coin drop requires this harness. If unit is not factory-equipped with this harness, it must be ordered separately.; Models KSEBXAGS176TW01 and KSGBXAGS116TW01
	802905	Harness Assembly	Electronic coin drop requires this harness. If unit is not factory-equipped with this harness, it must be ordered separately.; All other models
6	201375P	Transformer	Electronic coin drop requires this transformer. If unit is not factory-equipped with this transformer, it must be ordered separately.
7	201572	Clip	
8	201091	Overlay	
9	38725	Coin Identification Paper	

Control Cabinet Controls - Card Ready Models

Models HSEBYAGS173TW01, HSEBYAGS176TW01, HSEBYAGW173TW01, HSEBYAGW176TW01, HSEBYAGW283CW01, HSEBYAGW293CW01, HSGBYAGS113TW01, HSGBYAGW093CW01, HSGBYAGW113TW01 and HSGBYAGW116TW01



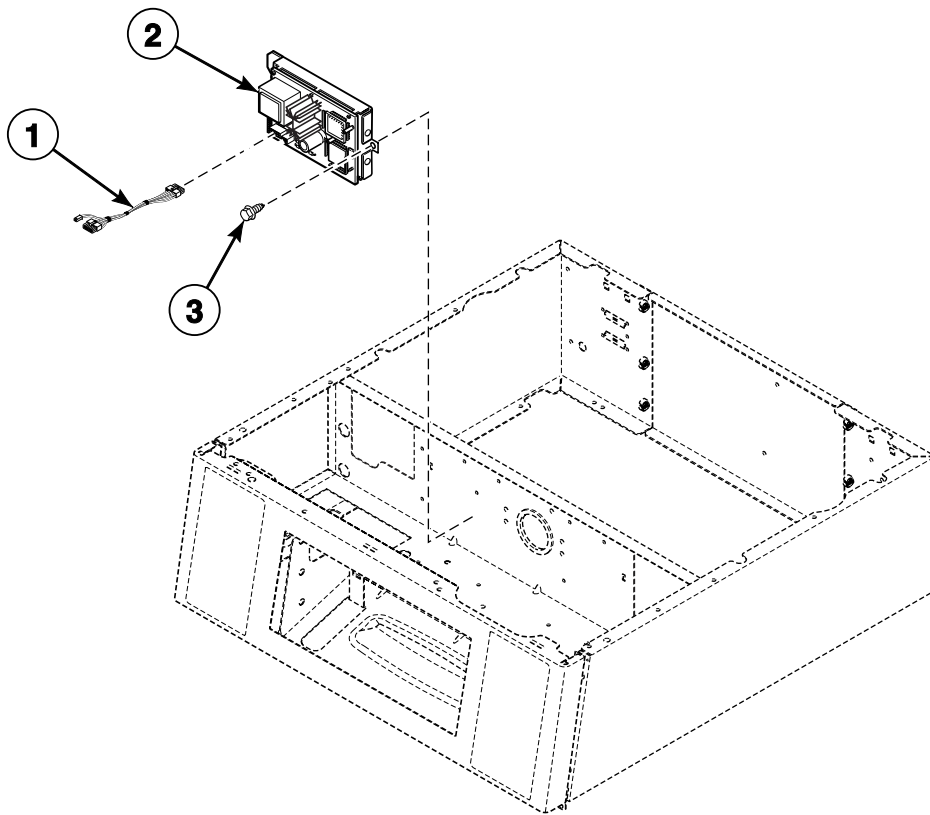
DRY2409P_D518145

Control Cabinet Controls - Card Ready Models

REF	PART NO.	DESCRIPTION	COMMENTS
1	D514873	Overlay	
2	804147WP	Security Cabinet Front Assembly	
3	804112W	Wrapper Assembly	
4	70240301	Screw	6 required
5	807646	Rear Access Panel	
6	70030501	Expansion Clip	6 required
7	D503688	Screw	

Network Board Assembly

Models HSEBCAGW176TW01, HSEBYAGW176TW01, HSGBCAGS116TW01, HSGBCAGW116TW01, HSGBYAGW116TW01, KSEBXAGS176TW01 and KSGBXAGS116TW01



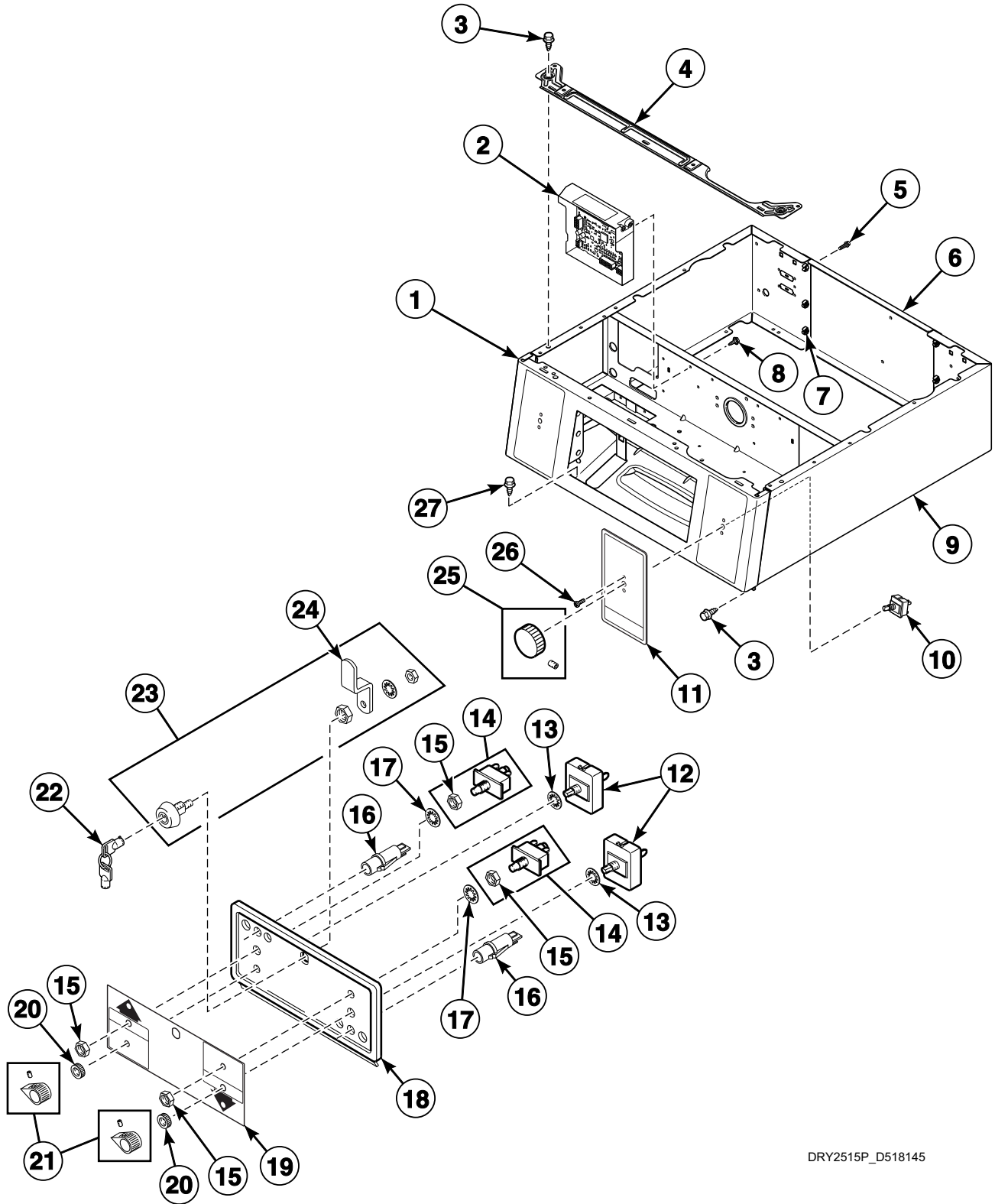
FLW1813P_D518057

Network Board Assembly

REF	PART NO.	DESCRIPTION	COMMENTS
	205256	USB-NFC Interface Kit	
1	F8713906	Serial Pay Harness	
2	807714	Serial Pay Control Assembly	
3	D503661	Screw	

Control Panel and Controls - Nonmetered

Models KSEMNAGS173TW01, KSGMNAGS113TW01, SSEMNAGS153TW01, SSEMNAGS173TW01, SSGMNAGS113TW01, USEMNAGS173TW01 and USGMNAGS113TW01



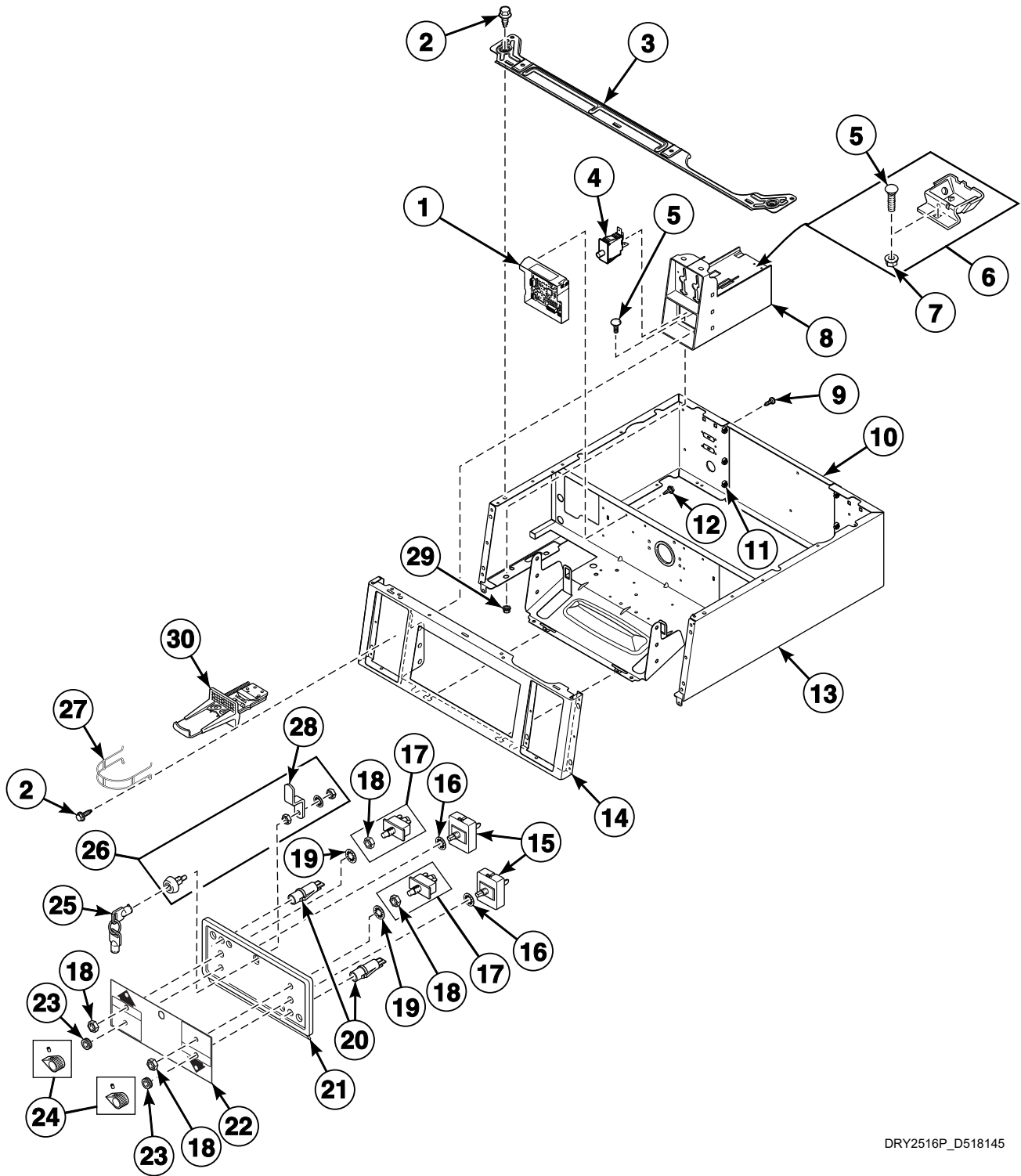
DRY2515P_D518145

Control Panel and Controls - Nonmetered

REF	PART NO.	DESCRIPTION	COMMENTS
1	D514711W	Control Panel	White
2	D517526	Control Assembly	
3	D503688	Screw	
4	804018	Shield Bracket	
5	70240301	Screw	6 required
6	807646	Rear Access Panel	
7	70030501	Expansion Clip	6 required
8	804608	Screw	
9	804112W	Wrapper Assembly	White
10	201686	Cycle Selector Switch	
11	D515998	Timer Overlay	
12	D511711	Temperature Selector Switch	
13	91029	Washer	
14	55882	Switch Assembly	Includes item 15
15	52947	Nut	
16	801431	Light	
17	F430339	Washer	
18	D500228W	Control Panel and Bracket Assembly	White
19	D514670	Overlay	Models USEMNAGS173TW01 and USGMNAGS113TW01
	D512678	Overlay	Models KSEMNAGS173TW01 and KSGMNAGS113TW01
	D514371	Overlay	All other models
20	24205	Nut	
21	39897	Switch Knob	
22	54612	Key	800
23	27260P	Lock Kit	Includes items 24
24	804338	Lock Cam	
25	54678	Timer Knob	
26	27328	Screw	
27	D502431	Screw	

Control and Control Panel - Coin Slide Models

Models HSESXAGW173TW01, HSGSXAGW093CW01, HSGSXAGW113TW01, SSESXAGS153TW01, SSESXAGS173TW01, SSESXAGW173TW01, SSGSXAGS113TW01 and SSGSXAGW113TW01



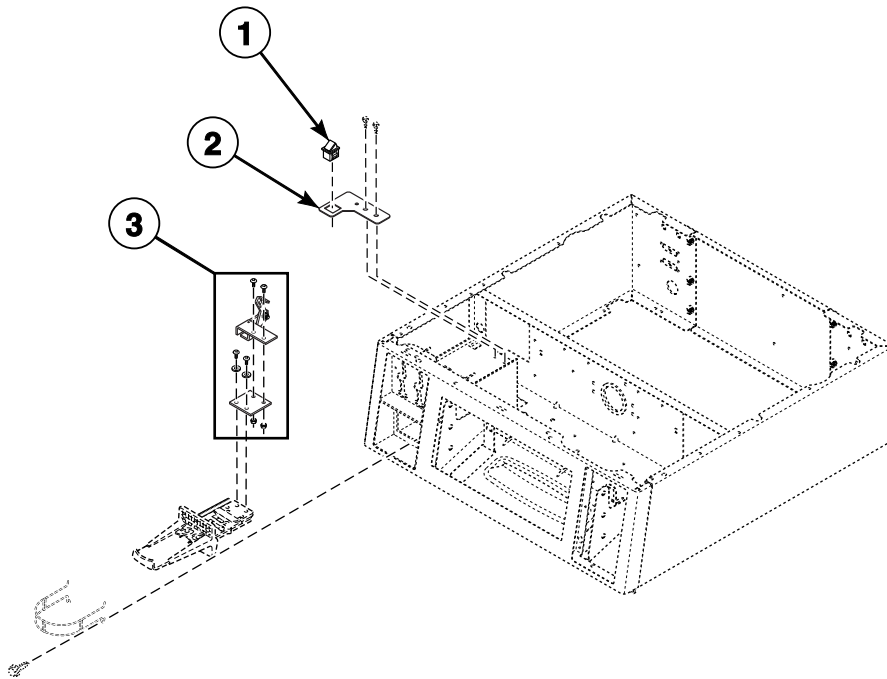
DRY2516P_D518145

Control and Control Panel - Coin Slide Models

REF	PART NO.	DESCRIPTION	COMMENTS
1	D517526	Control Assembly	
2	D503688	Screw	
3	804018	Shield Bracket	
4	D512973	Switch	
5	29651	Bolt	
6	523P3	Coin Funnel Kit	Includes items 5 and 7
7	29796	Nut	
8	807255W	Meter Case Assembly	White; Requires high capacity coin vault
	804011Q	Meter Case Assembly	Bisque; Requires high capacity coin vault
9	70240301	Screw	6 required
10	807646	Rear Access Panel	
11	70030501	Expansion Clip	6 required
12	804608	Screw	
13	804104W	Wrapper Assembly	White
	804104Q	Wrapper Assembly	Bisque
14	D514724W	Control Panel	White
	D514724Q	Control Panel	Bisque
15	D511711	Temperature Selector Switch	
16	91029	Washer	
17	55882	Switch Assembly	Includes item 18
18	52947	Nut	
19	F430339	Washer	
20	801431	Light	
21	D500228W	Control Panel and Bracket Assembly	White
	D500228Q	Control Panel and Bracket Assembly	Bisque
22	D514667	Overlay	Models HSEXAGW173TW01, HSGSXAGW093CW01 and HSGSXAGW113TW01
	D514371	Overlay	All other models
23	24205	Nut	
24	39897	Switch Knob	
25	54612	Key	800
26	27260P	Lock Kit	Includes item 28
27	D514726	Coin Slide Guard	
28	804338	Lock Cam	
29	44087201	Nut	4 required
30	CK001	Coin Slide Kit	U.S.A.
	CK009	Coin Slide Kit	STD-118-1 Token
	CK010P	Coin Slide Kit	STD-118-5 Token
	CK011	Coin Slide Kit	STD-118-10 Token
	CK014	Coin Slide Kit	U.S.A.
	CK017	Coin Slide Kit	Chilly Willy
	CK027	Slide	Tokette

Coin Slide Extension Kit

Models HSESXAGW173TW01, HSGSXAGW093CW01, HSGSXAGW113TW01, SSESXAGS153TW01, SSESXAGS173TW01, SSESXAGW173TW01, SSGSXAGS113TW01 and SSGSXAGW113TW01



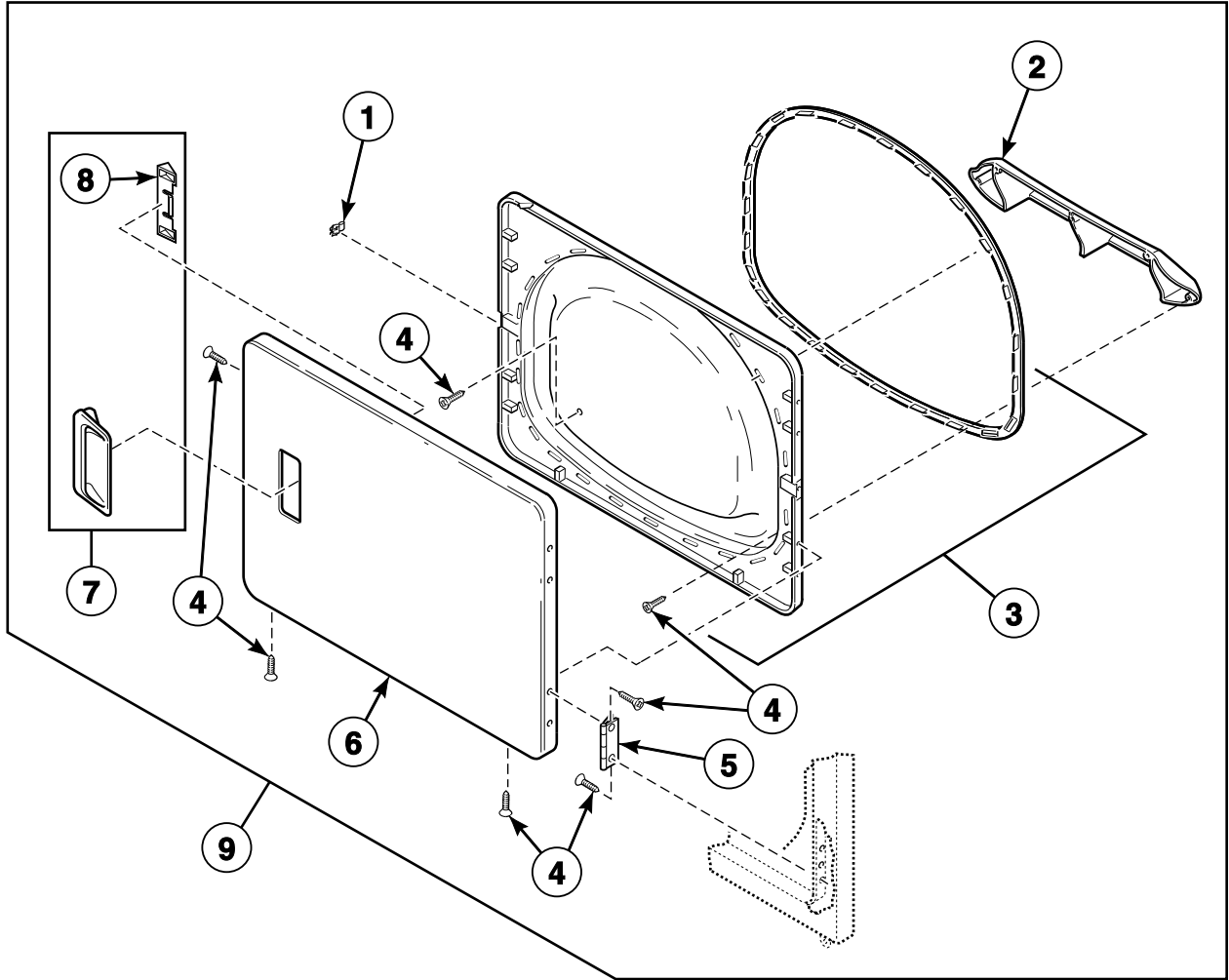
DRY2428P_D518145

Coin Slide Extension Kit

REF	PART NO.	DESCRIPTION	COMMENTS
1	D514105	Switch	
2	803662	Bracket	
3	D514228	Coin Slide Extension Kit	Includes items 1 and 2

Loading Door Without Window

Models HSEBCAGS173TW01, HSEBCAGS176TW01, HSEBYAGS173TW01, HSEBYAGS176TW01, HSGBCAGS113TW01, HSGBCAGS116TW01, HSGBYAGS113TW01, HSGBYAGS116TW01, KSEBXAGS175TW01, KSEBXAGS176TW01, KSEMAGS173TW01, KSGBXAGS115TW01, KSGBXAGS116TW01, KSGMNAGS113TW01, SSEMAGS153TW01, SSEMAGS173TW01, SSESXAGS153TW01, SSESXAGS173TW01, SSGMNAGS113TW01, SSGSAGS113TW01, USEMNAGS173TW01 and USGMNAGS113TW01



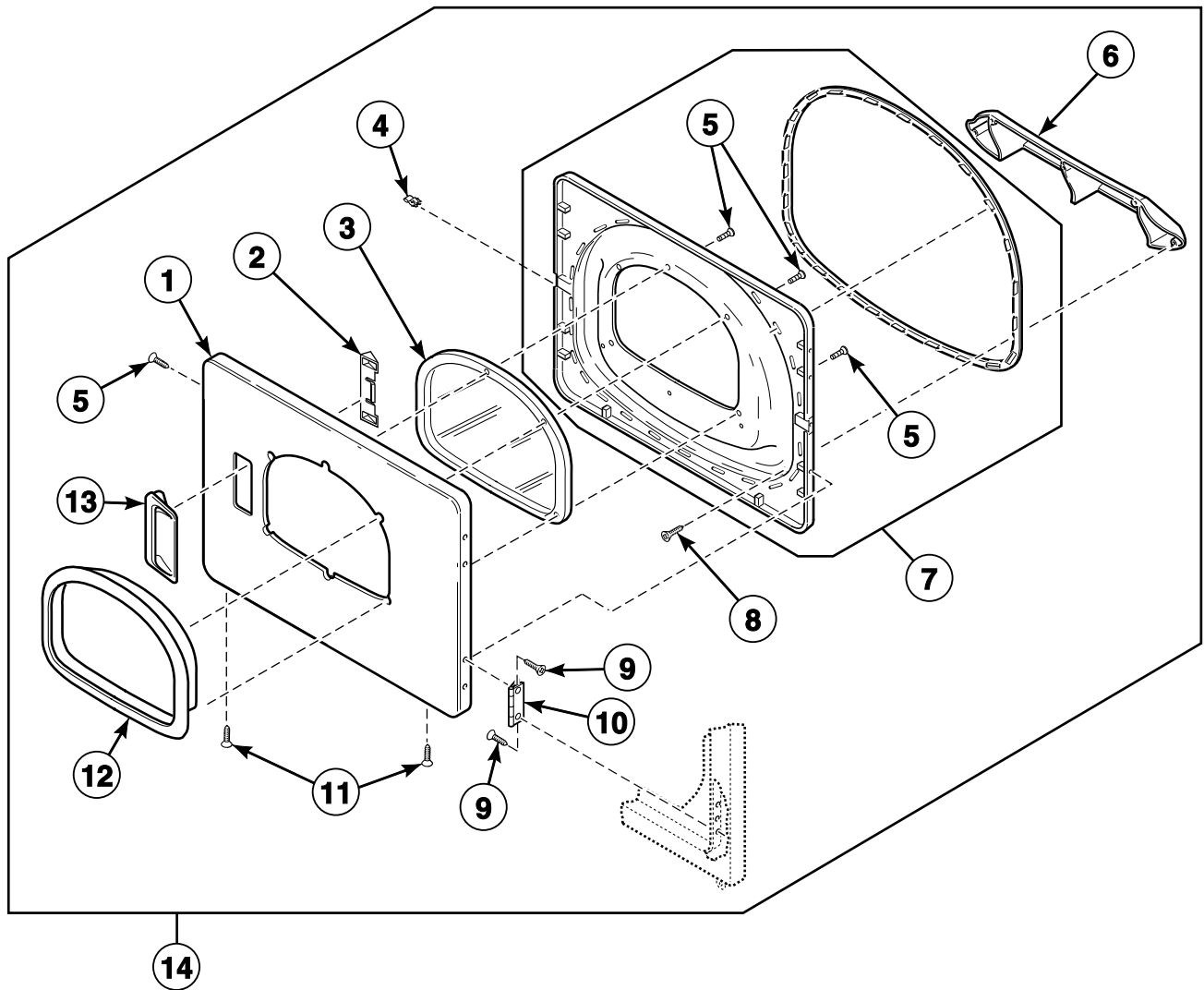
DRY2500P_D518145

Loading Door Without Window

REF	PART NO.	DESCRIPTION	COMMENTS
1	D510181	Door Strike	
2	D503870W	Door Liner Grill	
3	D516508	Door Liner Assembly	Includes door seal
4	D500226	Screw	
5	D511036	Hinge	
6	D515960WP	Dryer Door	White
	D515960QP	Dryer Door	Bisque
7	D510103WP	Door Pull and Wedge Kit	White; Includes item 8
	D510103QP	Door Pull and Wedge Kit	Bisque; Includes item 8
8	D510129W	Door Handle Wedge	
9	D516510WP	Door Assembly	White; Includes items 1-8
	D516510Q	Door Assembly	Bisque; Includes items 1-8

Loading Door With Window

Models HSEBCAGW173TW01, HSEBCAGW176TW01, HSEBDAGW293CW01, HSEBEAGW293CW01, HSEBYAGW173TW01, HSEBYAGW176TW01, HSEBYAGW283CW01, HSEBYAGW293CW01, HSESXAGW173TW01, HSGBCAGW113TW01, HSGBCAGW116TW01, HSGBDAGW093CW01, HSGBXAGW093CW01, HSGBYAGW093CW01, HSGBYAGW113TW01, HSGBYAGW116TW01, HSGSXAGW093CW01, HSGSXAGW113TW01, SSESXAGW173TW01 and SSGSXAGW113TW01

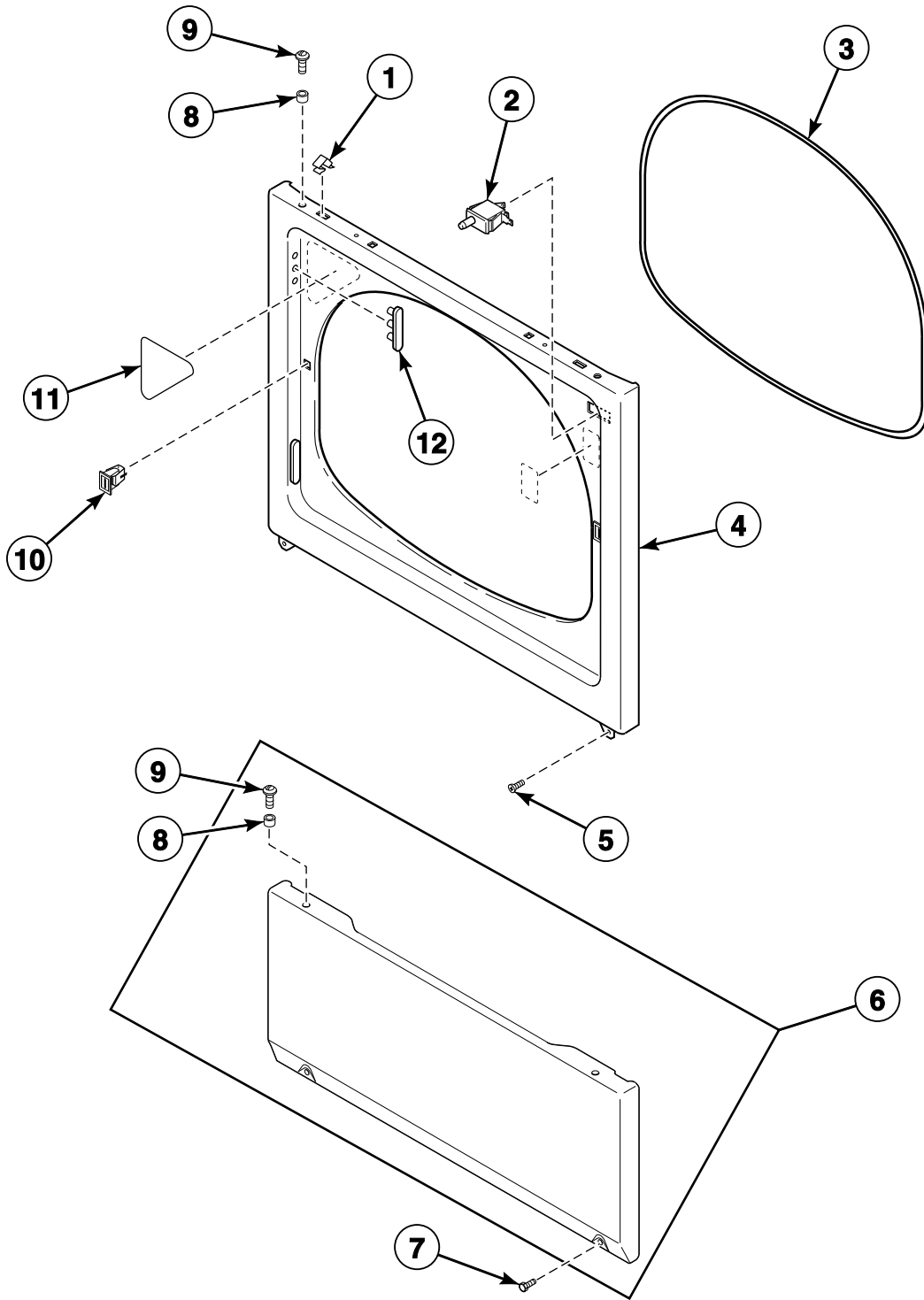


SWD1308P_D518145

Loading Door With Window

REF	PART NO.	DESCRIPTION	COMMENTS
1	D515961W	Dryer Door	
2	D510129W	Door Handle Wedge	
3	D515681	Dryer Door Window	
4	D510181	Door Strike	
5	D515967	Screw	
6	D503870W	Door Liner Grill	
7	D516509	Liner and Seal Assembly	Includes door seal
8	D505870	Screw	
9	D505295	Screw	
10	D511036	Hinge	
11	D500226	Screw	
12	D515956W	Window Trim	
13	D510103WP	Door Pull and Wedge Kit	Includes item 2
14	D516737W	Door Assembly	White; Includes items 1-13

Access Panel, Front Panel and Seal

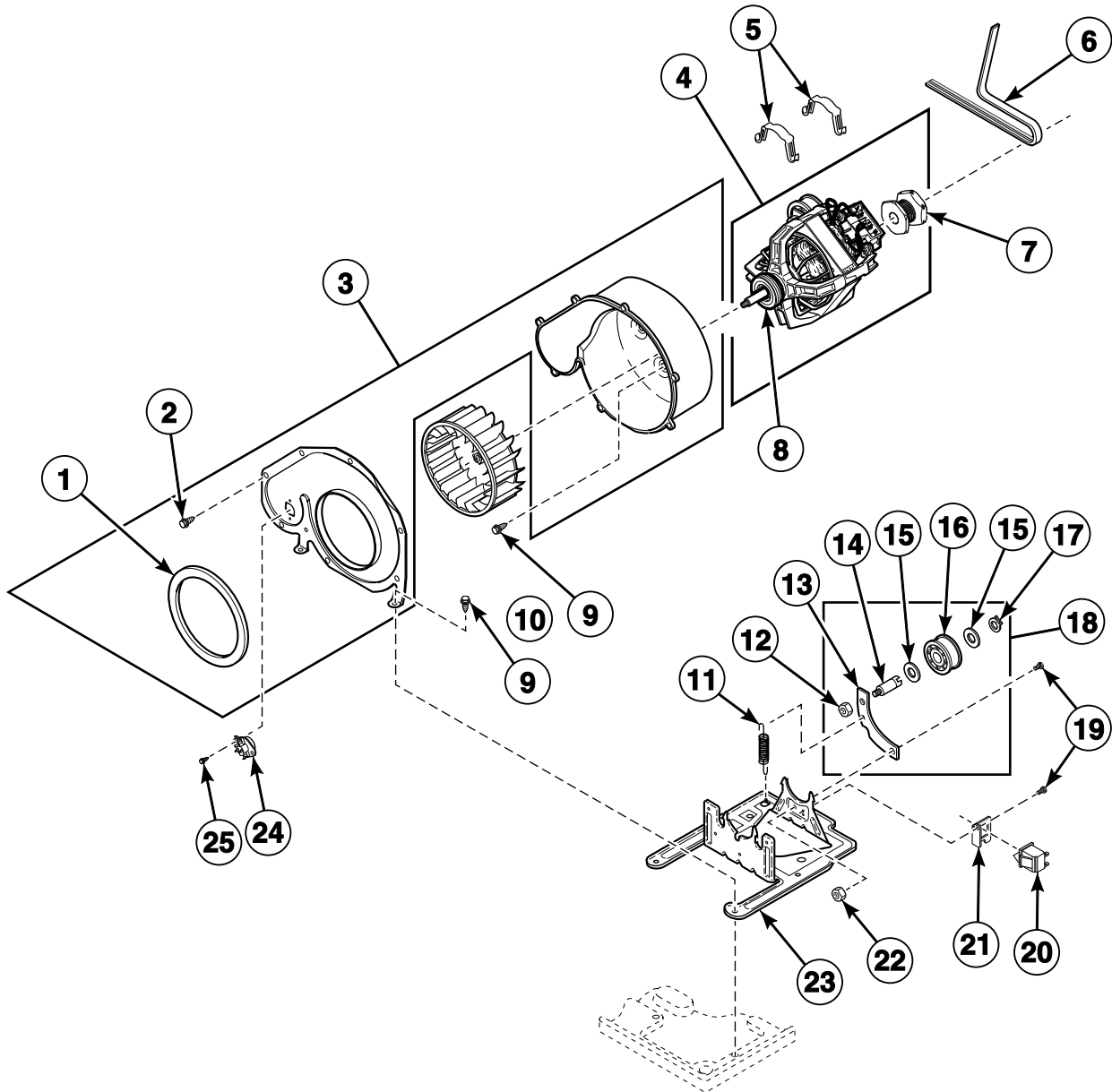


DRY1824P_D518145

Access Panel, Front Panel and Seal

REF	PART NO.	DESCRIPTION	COMMENTS
1	28835	Speed Clip	1 per side
2	D512973	Switch	
3	D511056	Front Panel Seal	
4	D510066WP	Front Panel	White
	D510066QP	Front Panel	Bisque
5	D503688	Screw	
6	D514250WP	Access Panel Assembly	White
	D514250Q	Access Panel Assembly	Bisque
7	33562	Screw	Slotted hex head
	62853	Screw	Torx head; Optional for added security
8	56079	Panel Locator	1 per side
9	39733	Screw	1 per side
10	D510177	Door Catch Assembly	
11	D516512	Warning/Caution Label	
12	D510186	Hinge Hole Plug	

Motor, Exhaust Fan and Belt

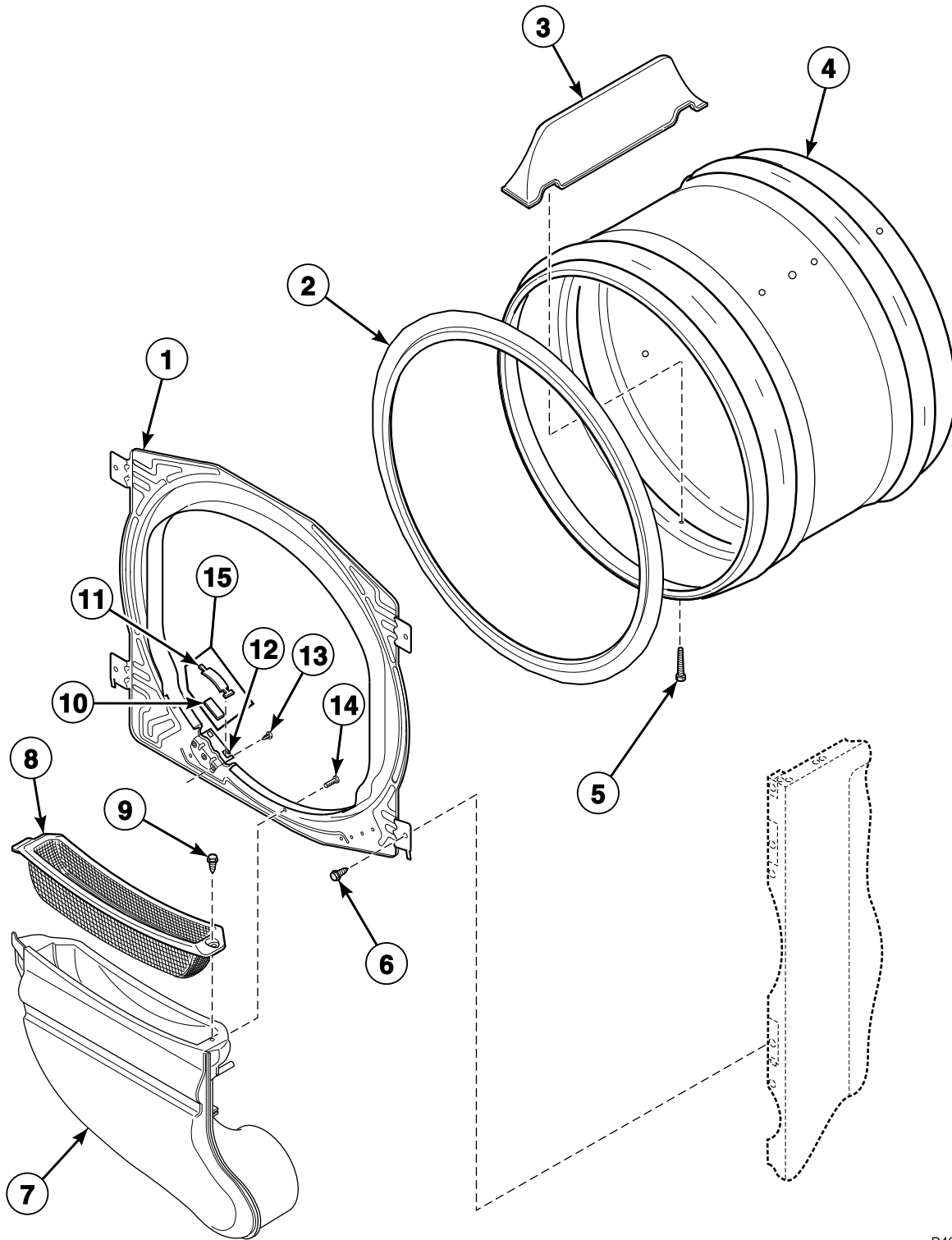


DRY2523P_D518145

Motor, Exhaust Fan and Belt

REF	PART NO.	DESCRIPTION	COMMENTS
	27604P	Anti-Seize Compound	Apply to motor shaft when installing blower fan assembly
	D519214	Dryer Maintenance Kit	Includes items 6 and 16, D510708P Cylinder Roller (two), D513710 Cylinder Glide (two) and D510189 Felt Pad (two)
1	D510238P	Blower Housing Seal	
2	31260	Screw	
3	D511969WP	Blower Housing	Includes items 1 and 2
4	D511629P	Motor and Pulley Assembly	120 Volt/60 Hertz; Apply anti-seize compound to motor shaft when installing blower fan assembly; Includes items 7 and 8
5	D510180	Motor Mount Clamp	
6	D511255P	Cylinder Belt	
7	D500011	Motor Pulley	60 Hertz
8	590P3	Motor Hub Ring Kit	
9	D503688	Screw	
10	D510139P	Blower Fan Assembly	Apply anti-seize compound to motor shaft when installing blower fan assembly
11	D510185	Idler Spring	
12	44087301	Nut	
13	D516310	Idler Lever	
14	56461P	Shaft	
15	52549	Washer	
16	D510142P	Idler Wheel and Bearing Assembly	
17	23748	Retaining Ring	
18	D516792	Idler Lever and Wheel Assembly	Includes items 12-17
19	D500824	Screw	
20	D516391	Switch	Starting Serial No. 1903000001
21	D516311	Motor Switch Bracket	Starting Serial No. 1903000001
22	52566	Nut	
23	D518517	Motor Mount	
24	D510523	Thermistor Assembly	Black
25	D502535	Screw	

Front Bulkhead, Air Duct, Felt Seal and Cylinder

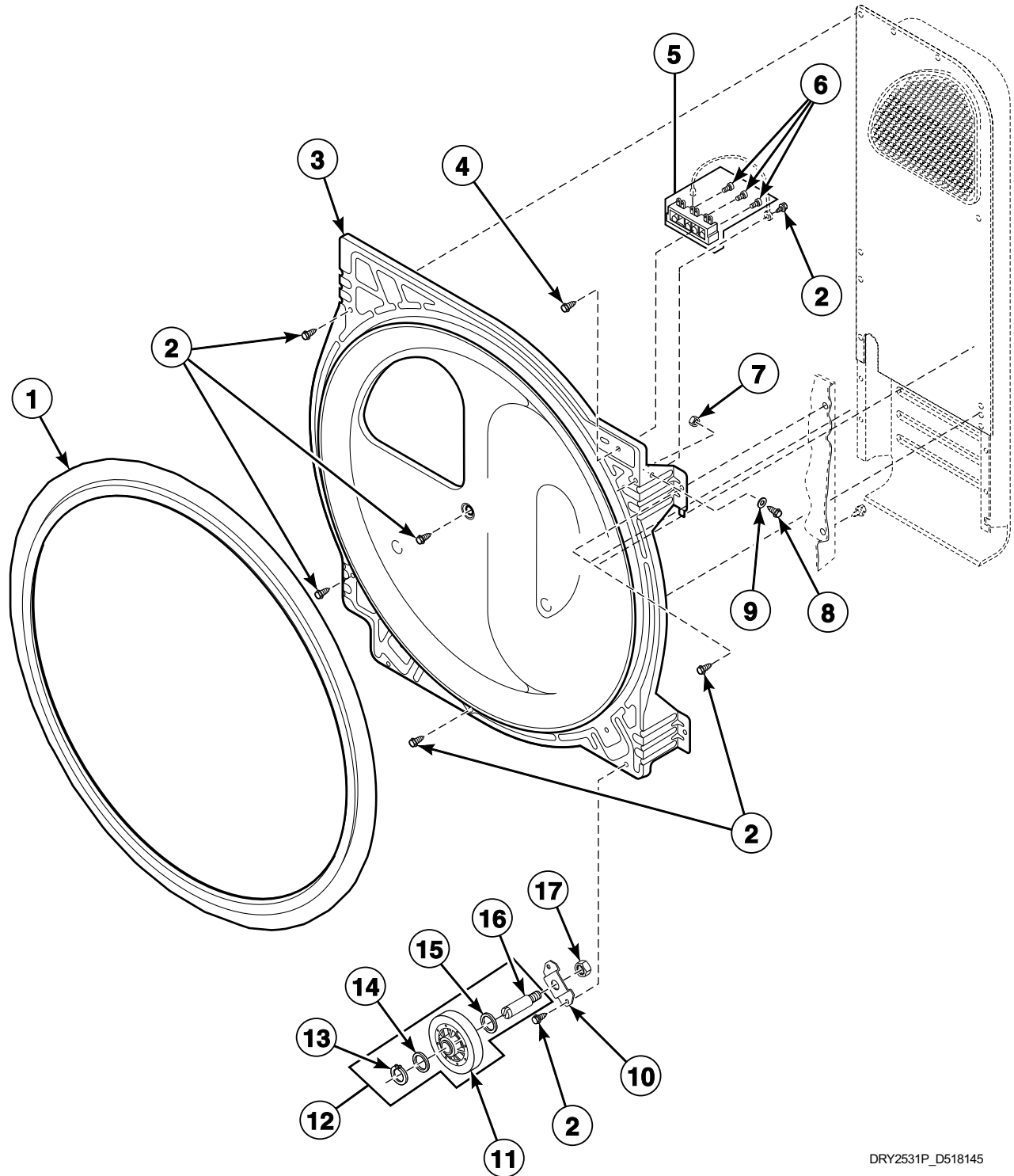


D402P_D518145

Front Bulkhead, Air Duct, Felt Seal and Cylinder

REF	PART NO.	DESCRIPTION	COMMENTS
1	D510266P	Front Bulkhead Assembly	Unpainted; Includes items 2 and 10-13
2	D510207P	Cylinder Seal Assembly	
	D511637P	Adhesive	Apply to cylinder seal
	RB170001	Seal Kit	Includes 2 cylinder seals, 510238P Blower Housing Seal and 511637P Adhesive
3	D510102W	Cylinder Baffle	
4	D510265WP	Cylinder Assembly	Galvanized
5	62588	Screw	
6	M405188	Screw	Use with stainless steel side panels
	D503688	Screw	Use with painted side panels
7	D518433	Air Duct Assembly	
8	D503980W	Lint Filter	
9	D501285	Screw	
10	D510189	Felt Pad	1 per side
11	D513710	Cylinder Glide	1 per side
12	D510145	Cylinder Glide Bracket	1 per side
13	D503688	Screw	2 per side
14	D500226	Screw	
15	RB170003	Glide Kit	Includes 2 of items 10 and 11

Rear Bulkhead, Felt Seal, Cylinder Roller and Terminal Block

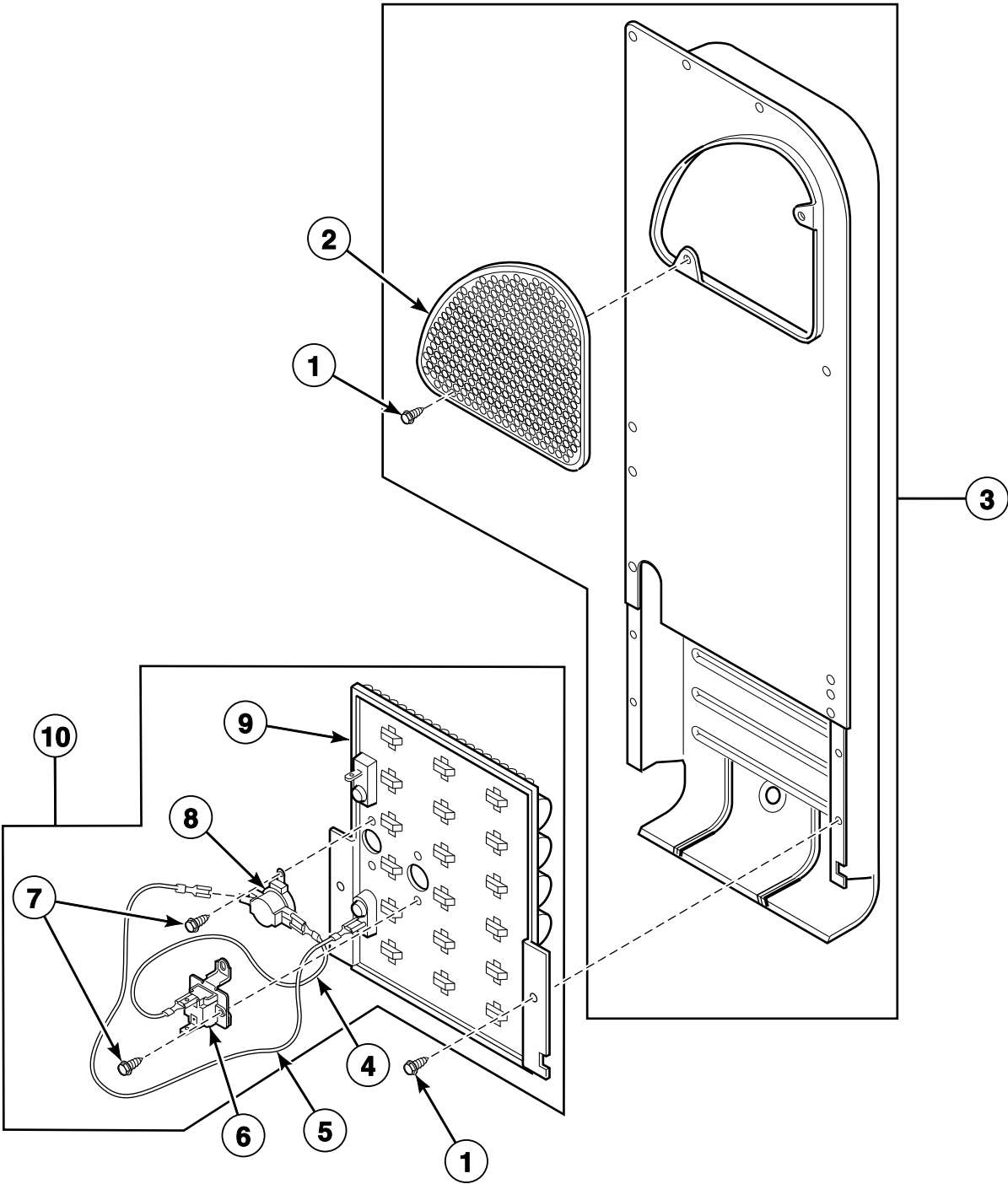


DRY2531P_D518145

Rear Bulkhead, Felt Seal, Cylinder Roller and Terminal Block

REF	PART NO.	DESCRIPTION	COMMENTS
1	D510207P	Cylinder Seal Assembly	
	D511637P	Adhesive	Apply to cylinder seal
	RB170001	Seal Kit	Includes 2 cylinder seals, D510238P Blower Housing Seal and D511637P Adhesive
2	D503688	Screw	
3	D511082P	Rear Bulkhead Assembly	Galvanized; Includes item 1
4	D501285	Screw	Electric models
5	D510190P	Terminal Block Assembly	Electric models; Includes 3 of item 6
6	61199	Screw	
7	28447	Nut	
8	28448	Screw	
9	28449	Washer	
10	D510100	Cylinder Roller Bracket	
11	D510708P	Cylinder Roller	
12	RB170002	Roller Kit	Includes items 11 and 13 -16
13	23748	Retaining Ring	
14	52549	Washer	
15	D504082	Washer	
16	56461P	Shaft	
17	44087301	Nut	

Heater Duct and Element Assembly - Electric Model Dryers

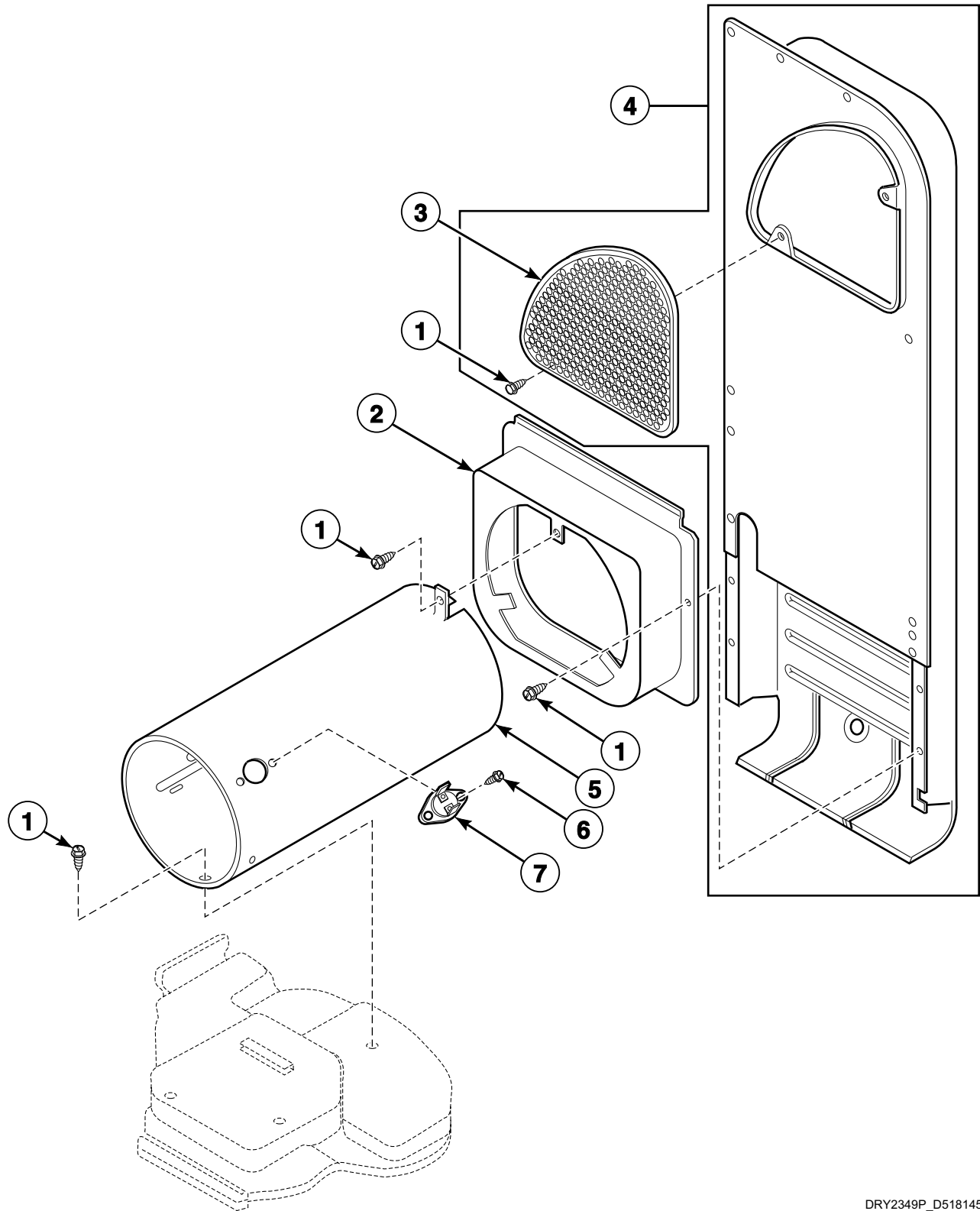


DRY1789P_D518145

Heater Duct and Element Assembly - Electric Model Dryers

REF	PART NO.	DESCRIPTION	COMMENTS
1	D503688	Screw	
2	D500820	Outlet Cover	Aluminized steel
	D518524	Outlet Cover	Black; Nitrocarburized
3	D510705P	Heater Duct Assembly	Includes items 1 and 2
4	D518256	Wire Assembly	Orange; Thermostat jumper; Attaches to heater assembly
5	D518255	Wire Assembly	Black; Fuse jumper; Attaches to heater assembly
6	D518649	Thermal Fuse Assembly	
7	23222	Screw	
8	D515873	Limit Thermostat	
9	D510325P	Heater	4.75 kW; 208 Volt; Models SSEMNAGS153TW01 and SSESXAGS153TW01
	D510324P	Heater Assembly	5 kW; 240 Volt; Model HSEBYAGW283CW01
	D510330P	Heater Assembly	4.25 kW; 208 Volt; Models HSEBDAGW293CW01, HSEBEAGW293CW01 and HSEBYAGW293CW01
	D510329P	Single Coil Heater Assembly	5.35 kW; 240 Volt; All other models
10	61927	Heater Kit Assembly	5 kW; 240 Volt; Model HSEBYAGW283CW01
	965P3	Heater Kit	4.25 kW; 208 Volt; Models HSEBDAGW293CW01, HSEBEAGW293CW01 and HSEBYAGW293CW01
	61928	Heater Kit Assembly	4.75 kW; 208 Volt; Optional conversion; All other models
	964P3	Heater Kit	5.35 kW; 240 Volt; Includes factory installed heater; All other models

Heater Duct Assembly - Gas Model Dryers



DRY2349P_D518145

Heater Duct Assembly - Gas Model Dryers

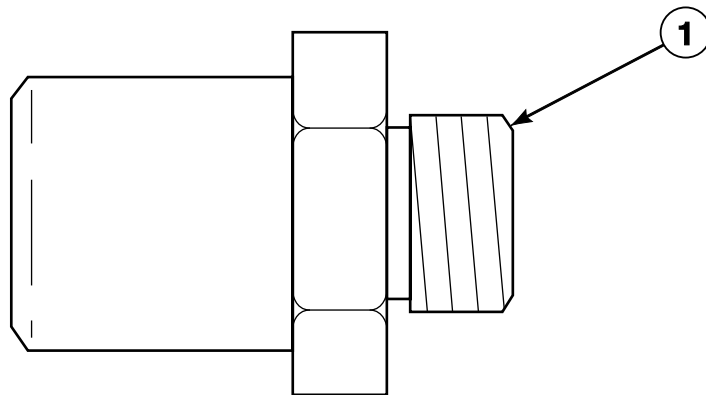
REF	PART NO.	DESCRIPTION	COMMENTS
1	D503688	Screw	
2	D510101	Heat Duct Shroud	
3	D500820	Outlet Cover	Aluminized steel
	D518524	Outlet Cover	Black; Nitrocarburized
4	D510705P	Heater Duct Assembly	Includes items 1 and 3
5	D510131	Combustion Duct	
6	51782	Screw	
7	D510702	Limit Thermostat	Black; Auto reset

Gas Valve, Ignitor and Gas Conversion Kits - Gas Models

REF	PART NO.	DESCRIPTION	COMMENTS
1	51782	Screw	
2	D510184P	Igniter and Bracket Assembly	
3	23222	Screw	
4	D510213	Sensor	
5	D503688	Screw	
6	D510149P	Burner Assembly	
7	458P3	L.P. Conversion Kit	Used to convert dryers from Natural Gas (N.G.) or Mixed Gas to Liquid Petroleum Gas (L.P.); For 25,000 Btu
8	459P3	N.G. Conversion Kit	Used to convert dryers from L.P. to N.G. or Mixed Gas; For 25,000 Btu
9	56124	Screw	
10	D510128	Gas Valve Mounting Bracket	
11	D517606	Gas Valve, Bracket and Pipe Assembly	60 Hertz; 25,000 Btu; N.G.; Includes items 9-13
12	58804A	Booster and Holding Coil	
13	58804B	Secondary Coil	

Burner Orifice Spuds - For Higher Elevations

Gas Models

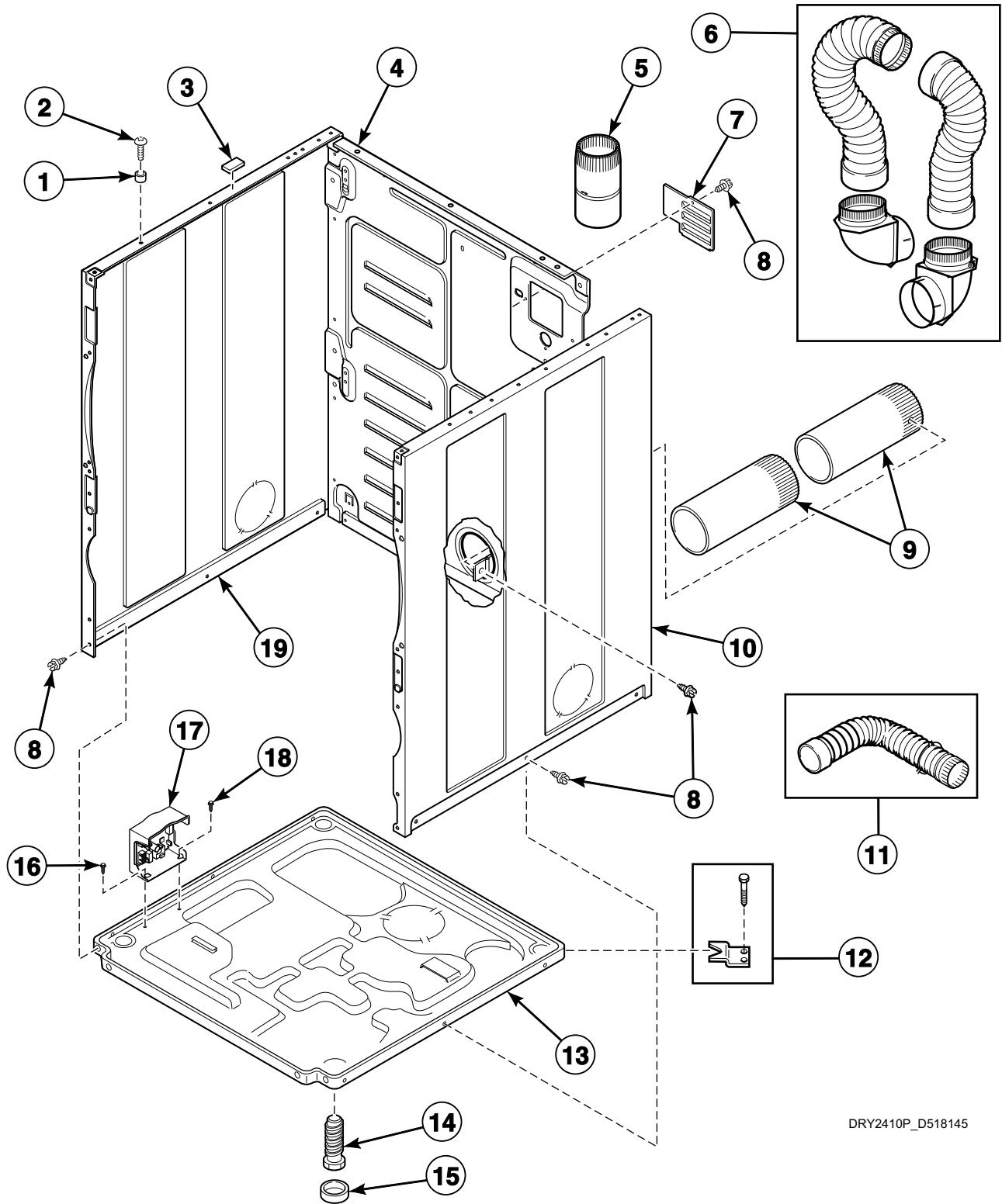


DRY2266P_D518145

Burner Orifice Spuds - For Higher Elevations

REF	PART NO.	DESCRIPTION	COMMENTS
1	58755	L.P. Orifice	Liquid Petroleum Gas (L.P.); 7500-10999 feet (2290-3354 m)
	D503786	L.P. Orifice	L.P.; 11000 feet (3355 m) and higher
	D503776	N.G. Orifice	Natural Gas (N.G.); 2000-2999 feet (610-914 m)
	D510517	N.G. Orifice	N.G.; 3000-5499 feet (915-1679 m)
	D503778	N.G. Orifice	N.G.; 5500-6999 feet (1680-2134 m)
	58719	Screw Orifice	N.G.; 7000-8999 feet (2135-2744 m)
	D503779	N.G. Orifice	N.G.; 9000-10499 feet (2745-3199 m)
	D503780	N.G. Orifice	N.G.; 10500 feet (3200 m) and higher

Cabinet, Exhaust Duct and Base

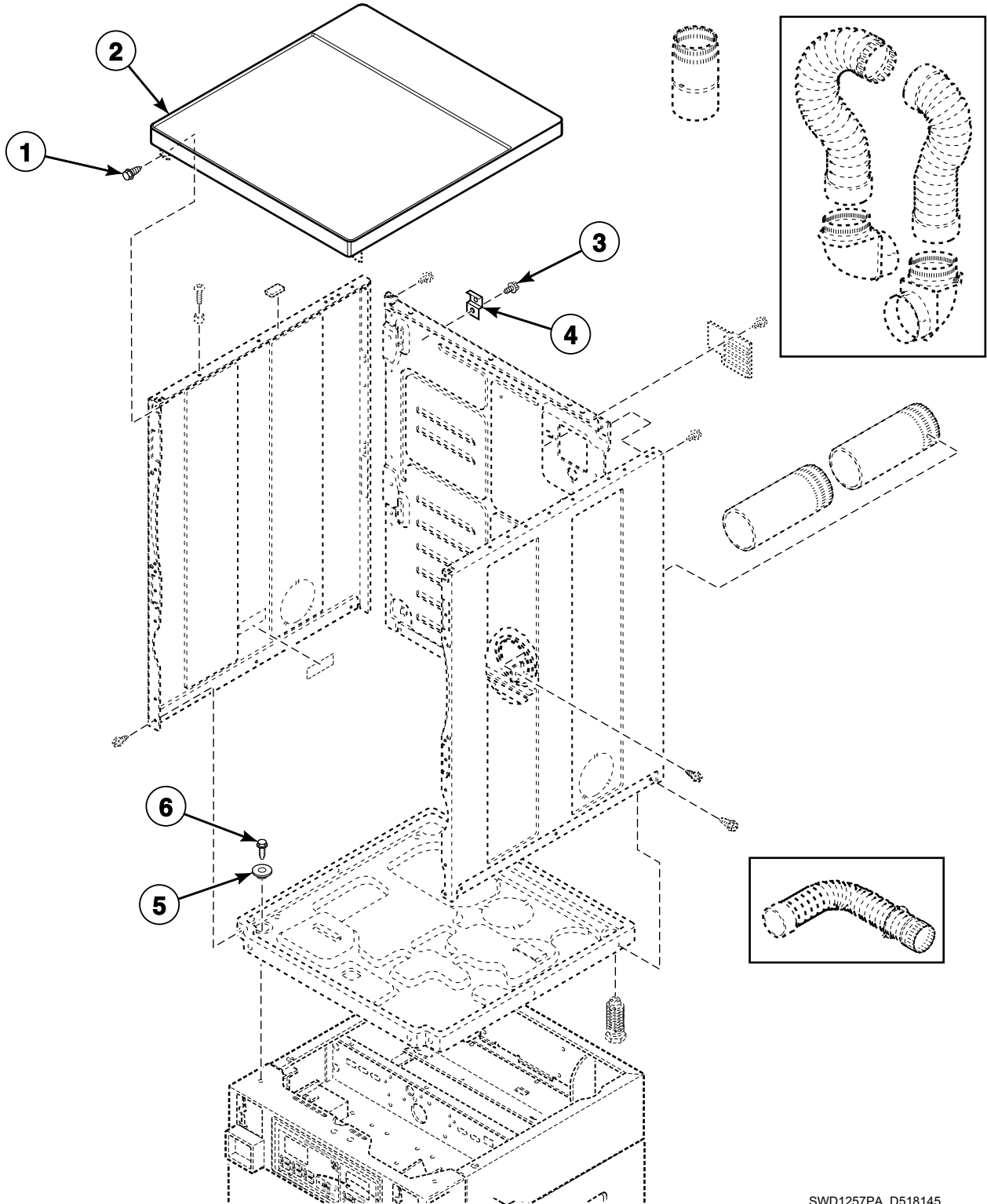


DRY2410P_D518145

Cabinet, Exhaust Duct and Base

REF	PART NO.	DESCRIPTION	COMMENTS
	370P4P	Porcelain Touch-Up Paint	Bisque
	122P4P	Porcelain Touch-Up Paint	White
1	56079	Panel Locator	
2	39733	Screw	
3	56128	Bumper Pad	
4	D517566	Cabinet Rear Panel	
5	58786	Damper	Use when connecting to a manifold vent system.
6	521P3	Flexible Venting Kit	
7	D510903	Access Panel Plate	
8	D503688	Screw	
9	D516196	Exhaust Duct	
10	D510002QP	Cabinet Side Panel	Bisque; Right
	D510002WP	Cabinet Side Panel	White; Right
11	528P3	Directional Exhaust Kit	Used to vent dryer out the sides or bottom
12	526P3	Hold Down Kit	For mobile home installations
13	D514245	Dryer Base	
14	D510135	Leveling Leg	
15	D501855	Rubber Foot	
16	D514428	Screw	
17	D517191P	Output Control Assembly	
18	804667	Screw	
19	D510001QP	Cabinet Side Panel	Bisque; Left
	D510001WP	Cabinet Side Panel	White; Left

Cabinet Top



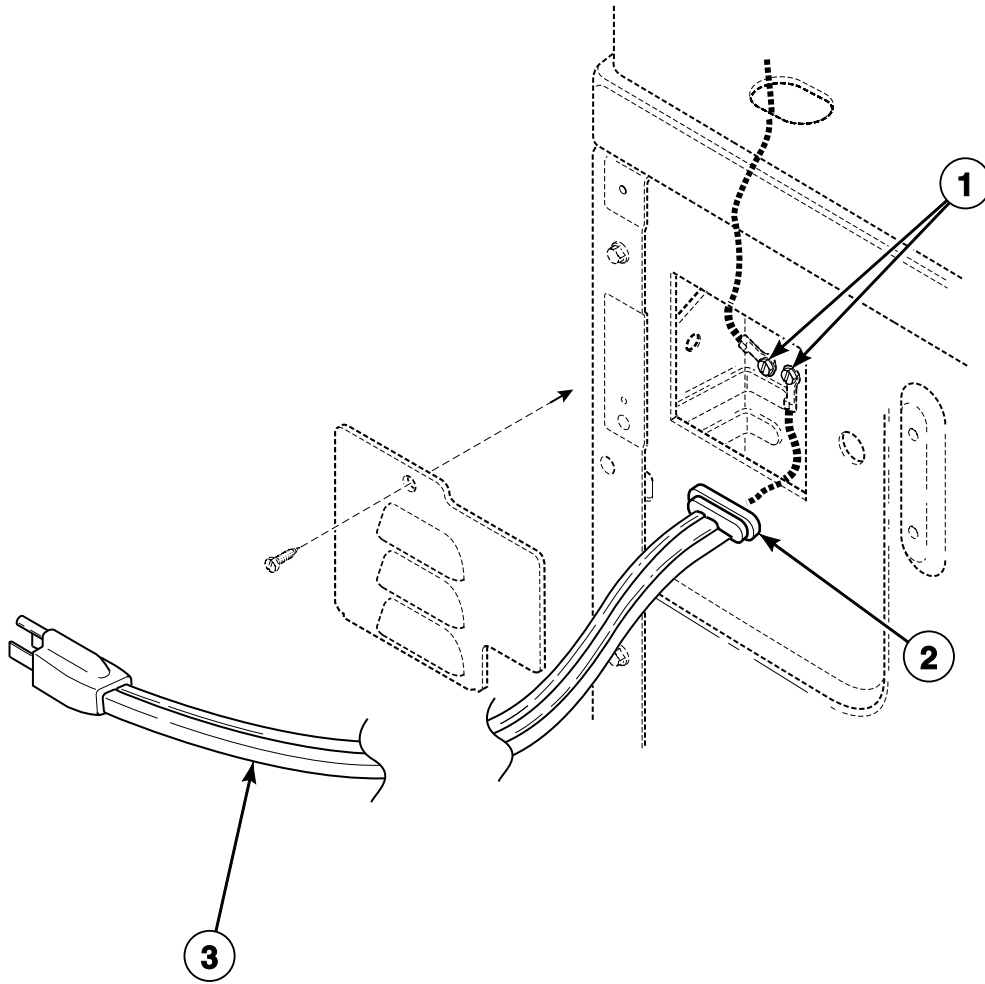
SWD1257PA_D518145

Cabinet Top

REF	PART NO.	DESCRIPTION	COMMENTS
1	D503661	Screw	
2	D510032QP	Top Kit	Bisque
	D510032WP	Top Kit	White
3	D503688	Screw	
4	D510136	Top Hinge	
5	D501307	Washer	
6	36048	Screw	

Power Cord

Gas Models

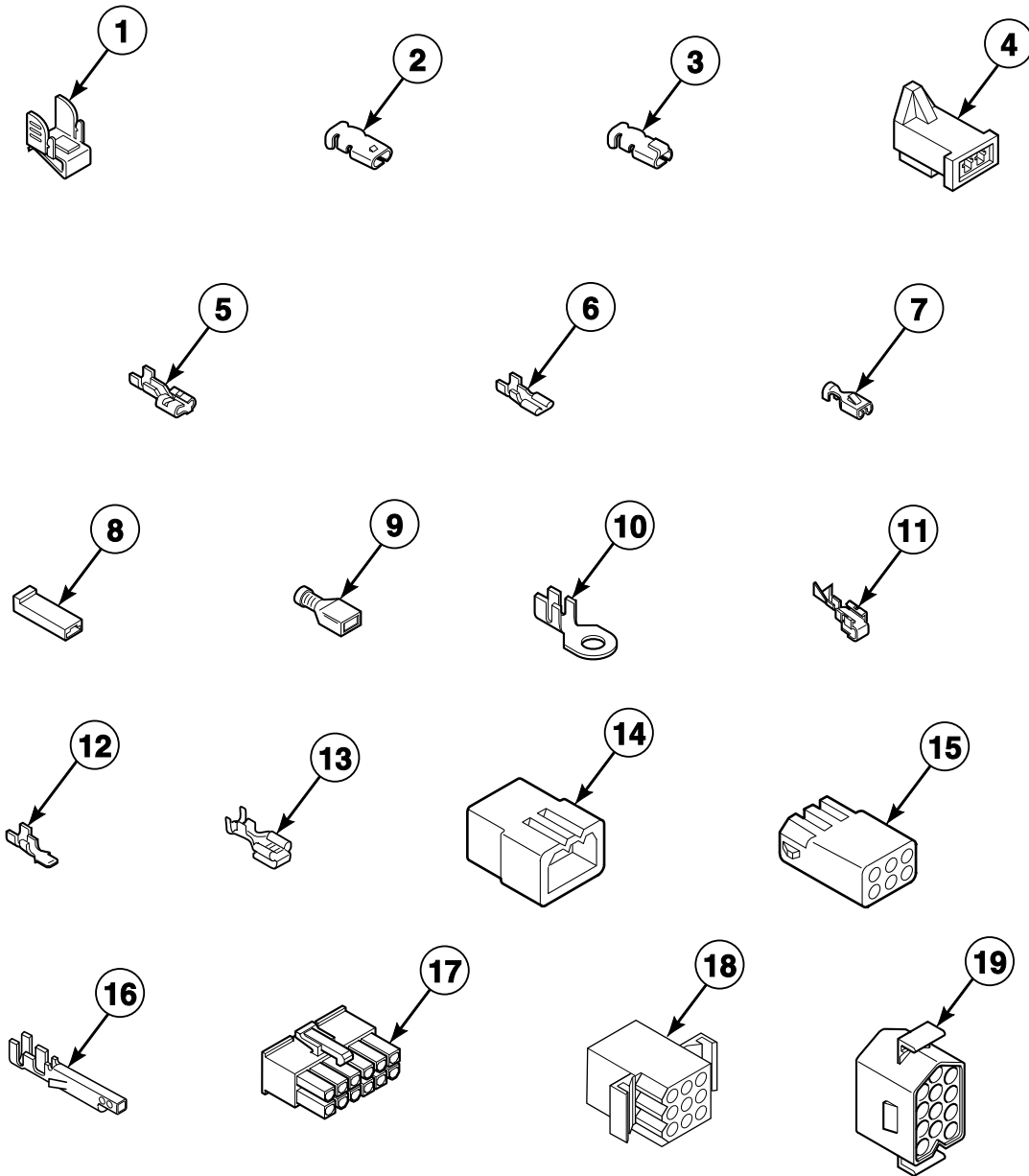


DRY1879P_D518145

Power Cord

REF	PART NO.	DESCRIPTION	COMMENTS
1	20530	Screw	
2	D517490	Strain Relief	
3	D517698	Lead-In Cord	Models HSGBDAGW093CW01, HSGBXAGW093CW01, HSGBYAGW093CW01 and HSGSXAGW093CW01
	D518387	Lead-In Cord	All other models

Terminal Block and Terminals

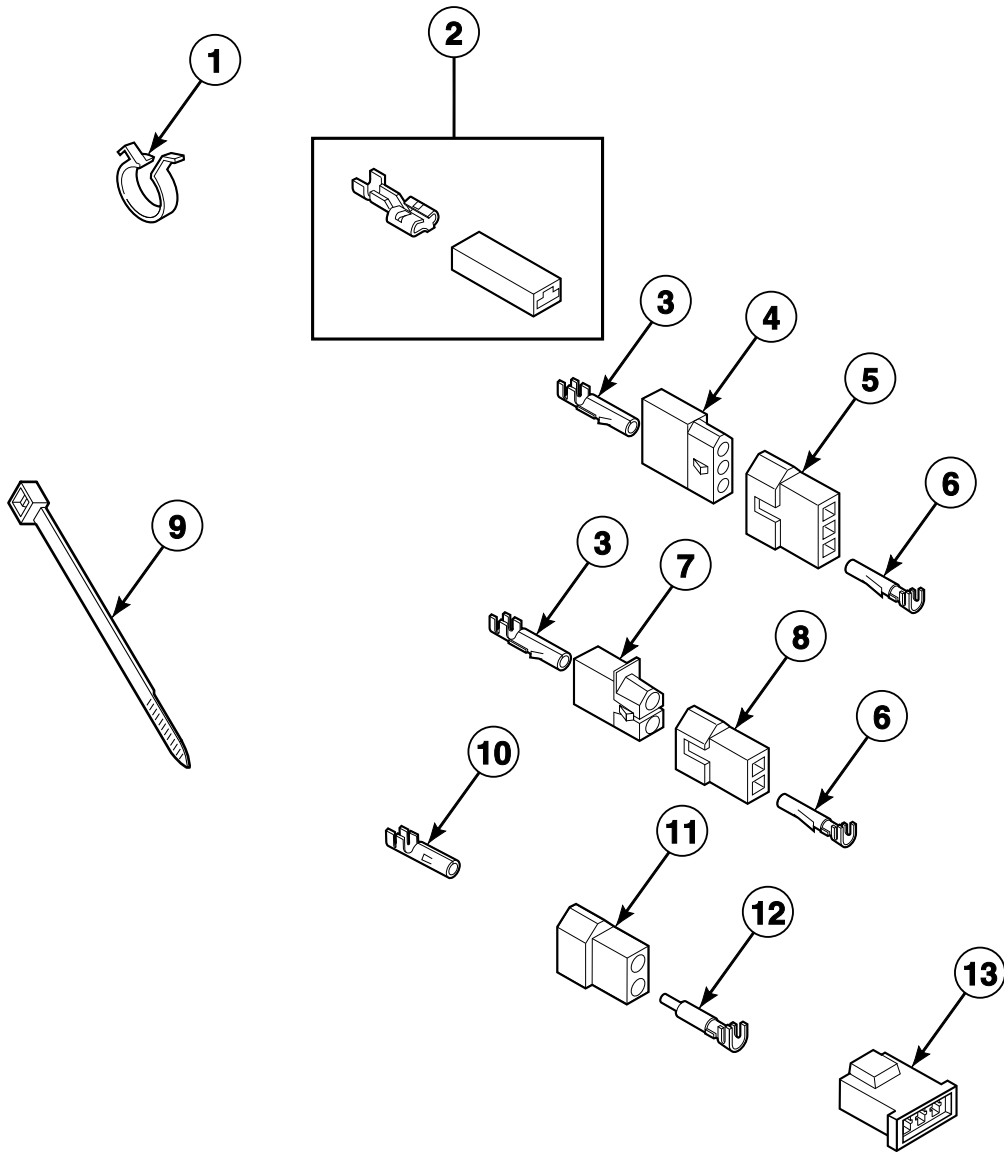


DRY2411P_D518145

Terminal Block and Terminals

REF	PART NO.	DESCRIPTION	COMMENTS
1	00161	Grounding Clip	
2	00189	Female Spade Terminal	1/8 inch
3	00361	Female Piggyback Terminal	
4	58799	2 Circuit Connector	
5	00223	Female Spade Terminal	1/4 inch; (1) 18 gauge wire
	00121	Female Spade Terminal	1/4 inch; (2) 18 gauge wires or (1) 12 gauge wire
	00245	Spade Terminal	1/4 inch; (1) 22 gauge wire
6	00124	Female Spade Terminal	3/16 inch; (1) 18 gauge wire; .020 tab
7	00115	Female Spade Terminal	1/4 inch; (1) 18 gauge wire
8	90789	Receptacle Housing	
9	00359	Insulated Female Spade Terminal	1/4 inch
10	00110	Ring Terminal	No. 10; (1) 18 gauge wire
11	00114	Female Spade Terminal	1/4 inch; Double connector
12	00139	Male Tab Terminal	1/4 inch; (2) 18 gauge wires or (1) 12 gauge wire
13	00344	Female Tab Terminal	1/4 inch
14	23033	9 Circuit Plug	
	44370401	1 Circuit Plug Housing	
15	26708	6 Circuit Receptacle	
	26301	1 Circuit Receptacle	
16	00252	Terminal	
17	34596	10 Circuit Receptacle	
	D501333	12 Circuit Receptacle	
18	56855	12 Circuit Receptacle	
19	54522	Plug	

Terminals

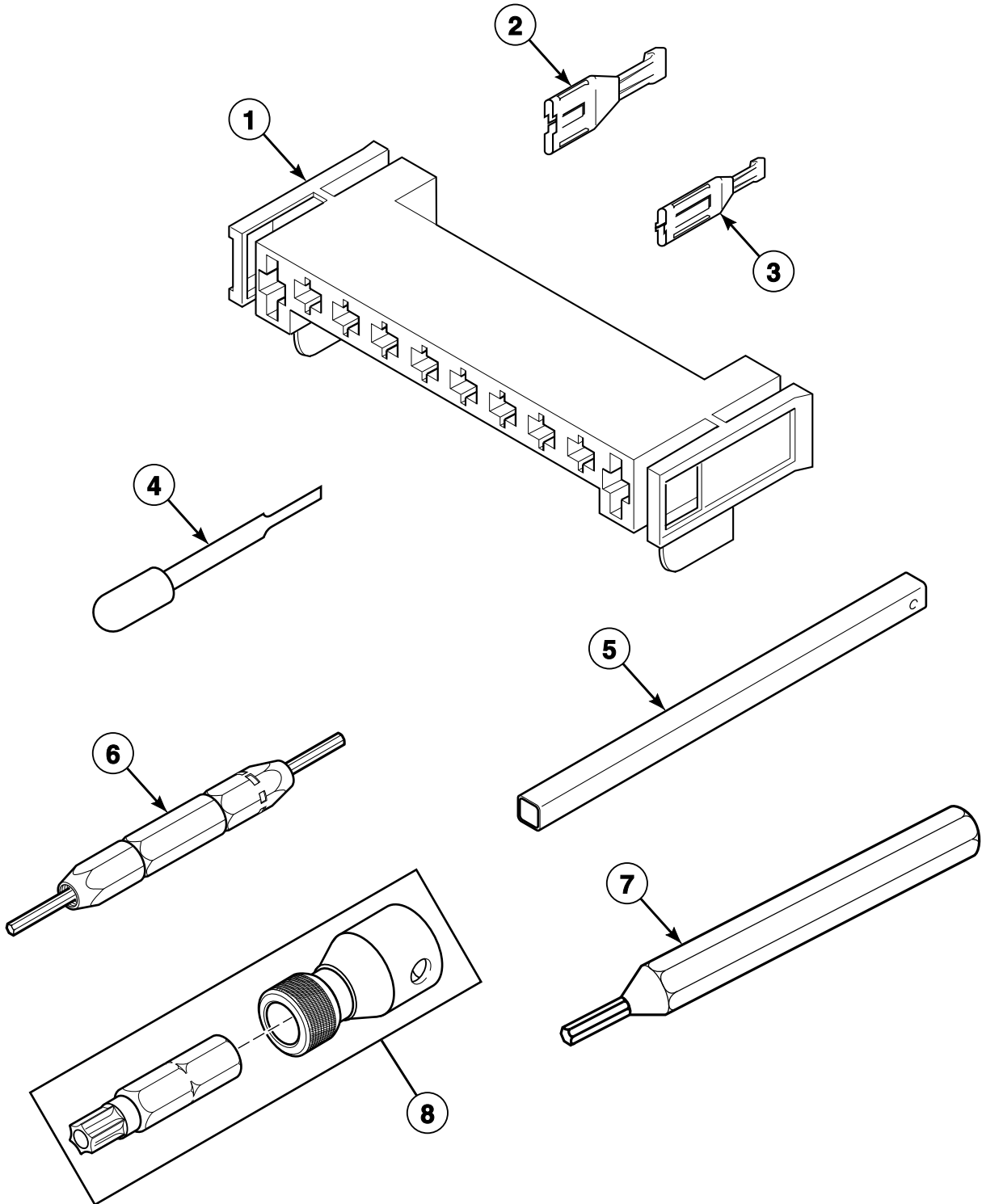


DRY1769P_D518145

Terminals

REF	PART NO.	DESCRIPTION	COMMENTS
1	D504034	Wire Clip	11/16 inch
	687500	Wire Clip	1 inch
2	00360	Insulated Female Spade Terminal	(1) 12 gauge wire or (2) 18 gauge wires
3	00117	Female Pin Terminal	
4	23039	3 Circuit Receptacle	
5	23040	Plug	
6	00116	Male Pin Terminal	
7	56451	2 Circuit Receptacle	
8	56448	2 Circuit Plug	
9	55881	Harness Strap	
10	00130	Female Pin Terminal	1/8 inch; 16-18 gauge wire
	00128	Female Pin Terminal	1/8 inch; 10-14 gauge wire
11	56266	2 Circuit Plug	
12	00127	Male Pin Terminal	1/8 inch
13	58800	3 Circuit Connector	

Terminals and Terminal Extractor Tools

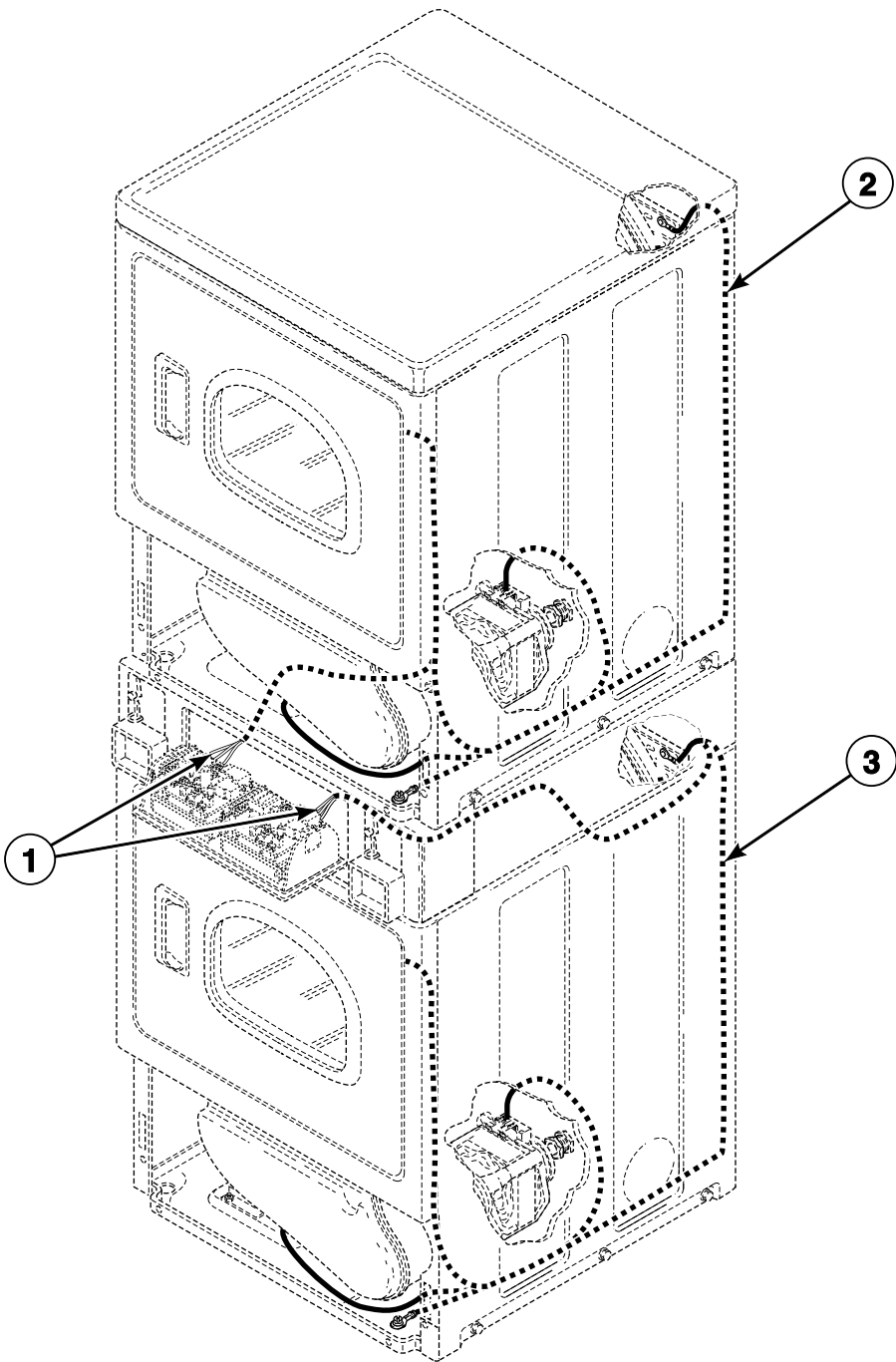


DRY2066P_D518145

Terminals and Terminal Extractor Tools

REF	PART NO.	DESCRIPTION	COMMENTS
1	D500338	10 Position Housing	
2	00255	Female Terminal	1/4 inch; (1) 12 gauge wire; Electric models
	00256	Female Terminal	1/4 inch; (1) or (2) 18 gauge wires
3	00188	Female Terminal	For 1 or 2 wire application
4	283P4	Terminal Extractor Tool	For use on Molex connectors
5	310P4	Ratchet Extension Tool	1/4 inch; For coin drop installation
6	190P4	Extractor Tool	For use on electric dryer terminals
7	128P4	Extractor Tool	For use on gas dryer terminals
8	281P4	Torx Bit	T15 Tamper Resistant Bit
	282P4	Torx Bit	Use with 62853 Screw on access panel; T25 Tamper Resistant Bit
	292P4	Torx Bit	T20 Standard Bit
	93501	Torx Drive Tool	T10 Standard Bit

Wires and Wire Harnesses



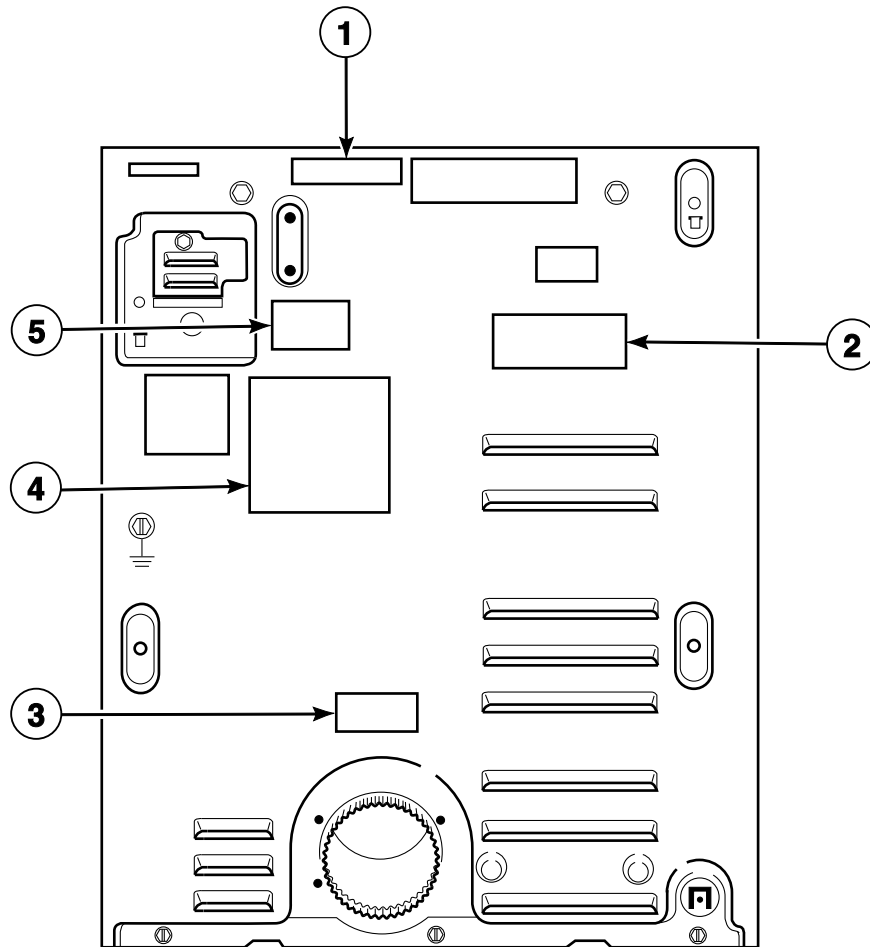
DRY2413P_D518145

Wires and Wire Harnesses

REF	PART NO.	DESCRIPTION	COMMENTS
	45001	18 Gauge Wire	Black; Order wire by the foot; Order terminals and connectors as required
	45380	12 Gauge Wire	Orange; Order wire by the foot; Order terminals and connectors as required
	D514076	Control Harness	Models KSEMAGS173TW01, KSGMNAGS113TW01, SSEMAGS153TW01, SEMAGS173TW01, SSGMNAGS113TW01, USEMNAGS173TW01 and USGMNAGS113TW01
	D515609	Control Harness	Models HSEXAGW173TW01, HSGSXAGW093CW01, HSGSXAGW113TW01, SSEXAGS153TW01, SSEXAGS173TW01, SSEXAGW173TW01, SSGSXAGS113TW01 and SSGSXAGW113TW01
	D518536	Gas Power Harness	Upper; Models HSGBDAGW093CW01, HSGBXAGW093CW01, HSGBYAGW093CW01 and HSGSXAGW093CW01 through 12/31/21
	D518663	Gas Harness	Upper; Models HSGBDAGW093CW01, HSGBXAGW093CW01, HSGBYAGW093CW01 and HSGSXAGW093CW01 starting 1/1/22
	D514085	Power Harness	Lower; Models HSGBDAGW093CW01, HSGBXAGW093CW01, HSGBYAGW093CW01 and HSGSXAGW093CW01 through 12/31/21
	D518655	Power Harness	Lower; Models HSGBDAGW093CW01, HSGBXAGW093CW01, HSGBYAGW093CW01 and HSGSXAGW093CW01 starting 1/1/22
	D514044	Power Harness	Upper; Models HSEBDAGW293CW01, HSEBEAGW293CW01, HSEBYAGW283CW01 and HSEBYAGW293CW01 through 12/31/21
	D518656	Power Harness	Upper; Models HSEBDAGW293CW01, HSEBEAGW293CW01, HSEBYAGW283CW01 and HSEBYAGW293CW01 starting 1/1/22
	D514042	Power Harness	Lower; Models HSEBDAGW293CW01, HSEBEAGW293CW01, HSEBYAGW283CW01 and HSEBYAGW293CW01 through 12/31/21
	D518654	Power Harness	Lower; Models HSEBDAGW293CW01, HSEBEAGW293CW01, HSEBYAGW283CW01 and HSEBYAGW293CW01 starting 1/1/22
1	D517970	Security Cabinet Harness	Models HSEBCAGS176TW01, HSEBCAGW176TW01, HSEBYAGS176TW01, HSEBYAGW176TW01, HSGBCAGS116TW01, HSGBCAGW116TW01, HSGBYAGS116TW01, HSGBYAGW116TW01, KSEBXAGS176TW01 and KSGBXAGS116TW01
	D513991	Security Cabinet Harness	All other models
2	D517476	Upper Electric Harness	Electric models
	D517477	Gas Harness	Gas models
3	D517972	Electric Harness	Lower; Models HSEBCAGS176TW01, HSEBCAGW176TW01, HSEBYAGS176TW01, HSEBYAGW176TW01 and KSEBXAGS176TW01
	D517478	Electric Harness	Lower; All other models
	D517973	Gas Harness	Lower; Models HSGBCAGS116TW01, HSGBCAGW116TW01, HSGBYAGS116TW01, HSGBYAGW116TW01 and KSGBXAGS116TW01
	D517479	Gas Harness	Lower; All other models

NOTE: Individual wires are not available separately. Order complete harness, or order wire by the foot. When applying terminals to wires, it is recommended that the terminals be soldered to the wires.

Label Location on Rear of Cabinet



DRY2303P_D518145

Label Location on Rear of Cabinet

REF	PART NO.	DESCRIPTION	COMMENTS
1	D505281	Disconnect Power Warning Label	
2	D502791	Venting Instruction Label	
3	D500497	Exhaust Warning Label	
4	D511004	Gas Clearance Label	Gas models
	D511005	Electric Clearance Label	Electric models
5	807561	Warning Label	

Parts Index

A

Access Panel Assembly	
D514250Q	29
D514250WP	29
Access Panel Plate	
D510903	45
Adhesive	
D511637P	33, 35
Air Duct Assembly	
D518433	33
Anti-Seize Compound	
27604P	31

B

Blower Fan Assembly	
D510139P	31
Blower Housing	
D511969WP	31
Blower Housing Seal	
D510238P	31
Bolt	
29651	9, 21
Booster and Holding Coil	
58804A	41
Bracket	
803662	23
Bumper Pad	
56128	45
Burner Assembly	
D510149P	41

C

Cabinet Rear Panel	
D517566	45
Cabinet Side Panel	
D510001QP	45
D510001WP	45
D510002QP	45
D510002WP	45
Clip	
201572	13
Coin Drop	
38963P	11
70441601P	11
70441603	11
Coin Drop Assembly	
38462P	11
38463	11
38464P	11
70441602	11
Coin Drop Wire Harness	
201104	13
Coin Funnel Kit	
523P3	21

Coin Identification Paper	
38725	13
Coin Slide Extension Kit	
D514228	23
Coin Slide Guard	
D514726	21
Coin Slide Kit	
CK001	21
CK009	21
CK010P	21
CK011	21
CK014	21
CK017	21
Combustion Duct	
D510131	39
Connector, 2 Circuit	
58799	51
Connector, 3 Circuit	
58800	53
Control Assembly	
D517522	7
D517526	19, 21
D518647	7
Control Harness	
D514076	57
D515609	57
Control Overlay	
D515540	7
D515542	7
D517899	7
D518084	7
D518090	7
Control Panel	
D514711W	19
D514724Q	21
D514724W	21
803964W	9
Control Panel and Bracket Assembly	
D500228Q	21
D500228W	19, 21
D513778W	7
807640W	7
Cycle Selector Switch	
201686	19
Cylinder Assembly	
D510265WP	33
Cylinder Baffle	
D510102W	33
Cylinder Belt	
D511255P	31
Cylinder Glide	
D513710	33
Cylinder Glide Bracket	
D510145	33
Cylinder Roller	
D510708P	35
Cylinder Roller Bracket	
D510100	35
Cylinder Seal Assembly	
D510207P	33, 35

N/A items do not appear in index.

D

Damper	
58786	45
Directional Exhaust Kit	
528P3	45
Disconnect Power Warning Label	
D505281	59
Door Assembly	
D516510Q	25
D516510WP	25
D516737W	27
Door Catch Assembly	
D510177	29
Door Handle Wedge	
D510129W	25, 27
Door Liner Assembly	
D516508	25
Door Liner Grill	
D503870W	25, 27
Door Pull and Wedge Kit	
D510103QP	25
D510103WP	25, 27
Door Strike	
D510181	25, 27
Dryer Base	
D514245	45
Dryer Door	
D515960QP	25
D515960WP	25
D515961W	27
Dryer Door Window	
D515681	27
Dual Coin Harness Assembly	
202871	11
204915	11, 13
Dual Overlay	
39073	9

E

Electric Clearance Label	
D511005	59
Electric Harness	
D517478	57
D517972	57
Electronic Coin Drop Assembly	
70294122	13
70513306	13
Electronic Coin Drop Kit	
CK110	13
CK115	13
Exhaust Duct	
D516196	45
Exhaust Warning Label	
D500497	59
Expansion Clip	
70030501	9, 15, 19, 21
Extractor Tool	
128P4	55
190P4	55

F

Felt Pad	
D510189	33
Female Piggyback Terminal	
00361	51
Female Pin Terminal	
00117	53
00128	53
00130	53
Female Spade Terminal	
00114	51
00115	51
00121	51
00124	51
00189	51
00223	51
Female Tab Terminal	
00344	51
Female Terminal	
00188	55
00255	55
00256	55
Flexible Venting Kit	
521P3	45
Front Bulkhead Assembly	
D510266P	33
Front Panel	
D510066QP	29
D510066WP	29
Front Panel Seal	
D511056	29

G

Gas Clearance Label	
D511004	59
Gas Harness	
D517477	57
D517479	57
D517973	57
D518663	57
Gas Power Harness	
D518536	57
Gas Valve Mounting Bracket	
D510128	41
Gas Valve, Bracket and Pipe Assembly	
D517606	41
Glide Kit	
RB170003	33
Grounding Clip	
00161	51

H

Harness Assembly	
802905	13
Harness Strap	
55881	53
Heat Duct Shroud	
D510101	39

N/A items do not appear in index.

Heater	
D510325P	37
Heater Assembly	
D510324P	37
D510330P	37
Heater Duct Assembly	
D510705P	37, 39
Heater Kit	
964P3	37
965P3	37
Heater Kit Assembly	
61927	37
61928	37
Hinge	
D511036	25, 27
Hinge Hole Plug	
D510186	29
Hold Down Kit	
526P3	45
Housing, 10 Position	
D500338	55

I

Idler Lever	
D516310	31
Idler Lever and Wheel Assembly	
D516792	31
Idler Spring	
D510185	31
Idler Wheel and Bearing Assembly	
D510142P	31
Igniter and Bracket Assembly	
D510184P	41
Insulated Female Spade Terminal	
00359	51
00360	53

K

Key	
54612	7, 19, 21

L

Lead-In Cord	
D517698	49
D518387	49
Leveling Leg	
D510135	45
Light	
801431	19, 21
Limit Thermostat	
D510702	39
D515873	37
Liner and Seal Assembly	
D516509	27
Lint Filter	
D503980W	33

Lock Assembly	
807761	7
Lock Cam	
804338	7, 19, 21
807760	7
Lock Kit	
27260P	7, 19, 21
L.P. Conversion Kit	
458P3	41
L.P. Orifice	
D503786	43
58755	43

M

Machine ID Control Assembly	
203361P	7
Male Pin Terminal	
00116	53
00127	53
Male Tab Terminal	
00139	51
Meter Case Assembly	
804011Q	21
807255W	21
807396W	9
Motor and Pulley Assembly	
D511629P	31
Motor Hub Ring Kit	
590P3	31
Motor Mount	
D518517	31
Motor Mount Clamp	
D510180	31
Motor Pulley	
D500011	31
Motor Switch Bracket	
D516311	31

N

Nut	
201216	13
24205	19, 21
28447	35
29786	11, 13
29796	21
44087201	9, 21
44087301	31, 35
52566	31
52947	19, 21
N.G. Conversion Kit	
459P3	41
N.G. Orifice	
D503776	43
D503778	43
D503779	43
D503780	43
D510517	43

N/A items do not appear in index.

O

Outlet Cover	
D500820	37, 39
D518524	37, 39
Output Control Assembly	
D517191P	45
Overlay	
D512678	19
D514371	19, 21
D514667	21
D514670	19
D514873	15
201091	9, 13

P

Panel Locator	
56079	29, 45
Plug	
23040	53
54522	51
Plug, 2 Circuit	
56266	53
56448	53
Plug, 9 Circuit	
23033	51
Porcelain Touch-Up Paint	
122P4P	45
370P4P	45
Power Harness	
D514042	57
D514044	57
D514085	57
D518654	57
D518655	57
D518656	57

R

Ratchet Extension Tool	
310P4	55
Rear Access Panel	
807646	9, 15, 19, 21
Rear Bulkhead Assembly	
D511082P	35
Receptacle Housing	
90789	51
Receptacle, 1 Circuit	
26301	51
Receptacle, 10 Circuit	
34596	51
Receptacle, 12 Circuit	
D501333	51
56855	51
Receptacle, 2 Circuit	
56451	53
Receptacle, 3 Circuit	
23039	53
Receptacle, 6 Circuit	
26708	51

Retaining Ring	
23748	31, 35
Ring Terminal	
00110	51
Roller Kit	
RB170002	35
Rubber Foot	
D501855	45

S

ScREW	
804667	45
Screw	
D500226	25, 27, 33
D500824	31
D501285	33, 35
D501524	7
D502431	19
D502535	31
D503661	17, 47
D503688 ...	5, 9, 15, 19, 29, 31, 33, 35, 37, 39, 41, 45, 47
D505295	27
D505870	27
D514428	45
D515967	27
M405188	33
20530	49
23222	37, 41
27328	19
28448	35
31260	31
33562	29
36048	47
39733	29, 45
503688	21
51782	39, 41
56124	41
61199	35
62588	33
62853	29
70240301	9, 15, 19, 21
804608	19, 21
Screw Orifice	
58719	43
Seal Kit	
RB170001	33, 35
Secondary Coil	
58804B	41
Security Cabinet Front Assembly	
804147WP	15
Security Cabinet Harness	
D513991	57
D517970	57
Sensor	
D510213	41
Serial Pay Control Assembly	
807714	17
Serial Pay Harness	
F8713906	17
Shaft	
56461P	31, 35
Shield Bracket	
804018	5, 19, 21

N/A items do not appear in index.

Single Coil Heater Assembly D510329P	37
Single Coin Harness Assembly 202870	11
204914	11
Single Overlay 38717	9
Slide CK027	21
Spade Terminal 00245	51
Speed Clip 28835	29
Strain Relief D517490	49
Switch D512973	9, 21, 29
D514105	23
D516391	31
Switch Assembly 55882	19, 21
Switch Knob 39897	19, 21

T	
Temperature Selector Switch D511711	19, 21
Terminal 00252	51
Terminal Block Assembly D510190P	35
Terminal Extractor Tool 283P4	55
Thermal Fuse Assembly D518649	37
Thermistor Assembly D510523	31
Timer Knob 54678	19
Timer Overlay D515998	19
Top Hinge D510136	47
Top Kit D510032QP	47
D510032WP	47
Torx Bit 281P4	55
282P4	55
292P4	55
Torx Drive Tool 93501	55
Transformer 201375P	13
202757P	5
Transformer Harness D514072	5
804795	5

U

Upper Electric Harness D517476	57
---	----

V

Venting Instruction Label D502791	59
--	----

W

Warning Label 807561	59
Warning/Caution Label D516512	29
Washer D501307	47
D504082	35
F430339	19, 21
28449	35
52549	31, 35
91029	19, 21
Window Trim D515956W	27
Wire Assembly D518255	37
D518256	37
Wire Clip D504034	53
687500	53
Wire Guard 201595P	11
Wire, 12 Gauge 45380	57
Wire, 18 Gauge 45001	57
Wiring Harness Assembly 202868	7
Wrapper Assembly 804104Q	21
804104W	9, 21
804112W	15, 19

Numerics

1 Circuit Plug Housing 44370401	51
--	----

Numerics

205256 USB-NFC Interface Kit	17
---------------------------------------	----
