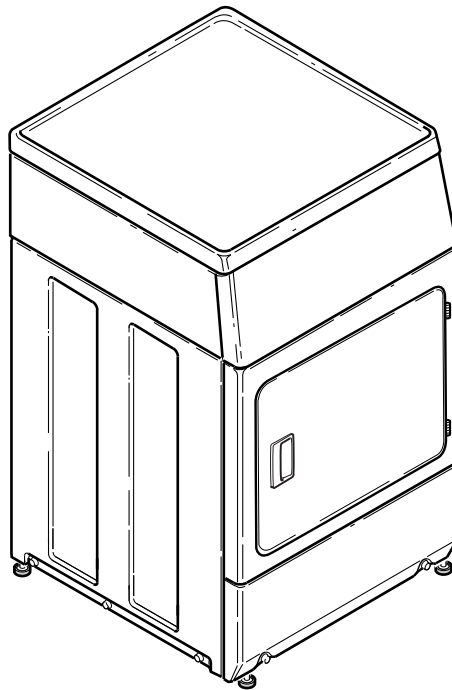


# Commercial Dryers

Metered and Nonmetered  
Models Starting Serial No. 2001000001

Refer to Page 3 for Model Numbers



DRY721C\_D518111



# Table of Contents

Title	Page
Parts Ordering Information.....	2
Serial Plate Location .....	2
Model Identification .....	3
Control Panel and Controls - Rear Control Coin Drop Models.....	4
Control Panel, Control Hood and Controls - Nonmetered Rear Control Models.....	6
Control Panel and Controls - Rear Control Card Models.....	8
Network Board Assembly.....	10
Control Panel and Control Hood - Coin Slide Rear Control Models.....	12
Meter Case - Rear Control Coin Drop Models .....	14
Coin Slide Extension, Meter Case and Control.....	16
Cabinet Top - Rear Control Models .....	18
Non-Electronic Coin Drop .....	20
Electronic Coin Drop .....	22
Control Cabinet Controls - 10 Degree Front Control Coin Models.....	24
Control Cabinet Controls - 10 Degree Front Control Card/OPL Models .....	26
Control Panel and Controls - 10 Degree Front Control Models (Drawing 1 of 2).....	28
Control Panel and Controls - 10 Degree Front Control Models (Drawing 2 of 2).....	30
Cabinet Top - 10 Degree Front Control Models.....	32
Loading Door Without Window .....	34
Loading Door With Window .....	36
Access Panel, Front Panel and Seal .....	38
Motor, Exhaust Fan and Belt .....	40
Front Bulkhead, Air Duct and Felt Seal.....	42
Cylinder Assembly .....	44
Rear Bulkhead, Felt Seal and Cylinder Roller .....	46
Terminal Block .....	48
Heater Duct and Element Assembly - Electric Models.....	50
Heater Duct Assembly .....	52
Gas Valve, Igniter and Gas Conversion Kits.....	54
Burner Orifice Spuds - For Higher Elevations.....	56
Cabinet, Exhaust Duct and Base .....	58
Label Location on Rear of Cabinet .....	60
Power Cord.....	62
Terminal Block and Terminals .....	64
Terminals .....	66
Motor Connection Block and Tools.....	68
Wire Harnesses and Wires - Front Control Models.....	70
Wire Harnesses and Wires - Rear Control Models .....	72
Parts Index.....	75

© Copyright 2025, Alliance Laundry Systems LLC

All rights reserved. No part of the contents of this book may be reproduced or transmitted in any form or by any means without the expressed written consent of the publisher.

## Parts Ordering Information

If literature or replacement parts are required, contact the source from whom the machine was purchased or contact Alliance Laundry Systems at (920) 748-3950 for the name and address of the nearest authorized parts distributor.

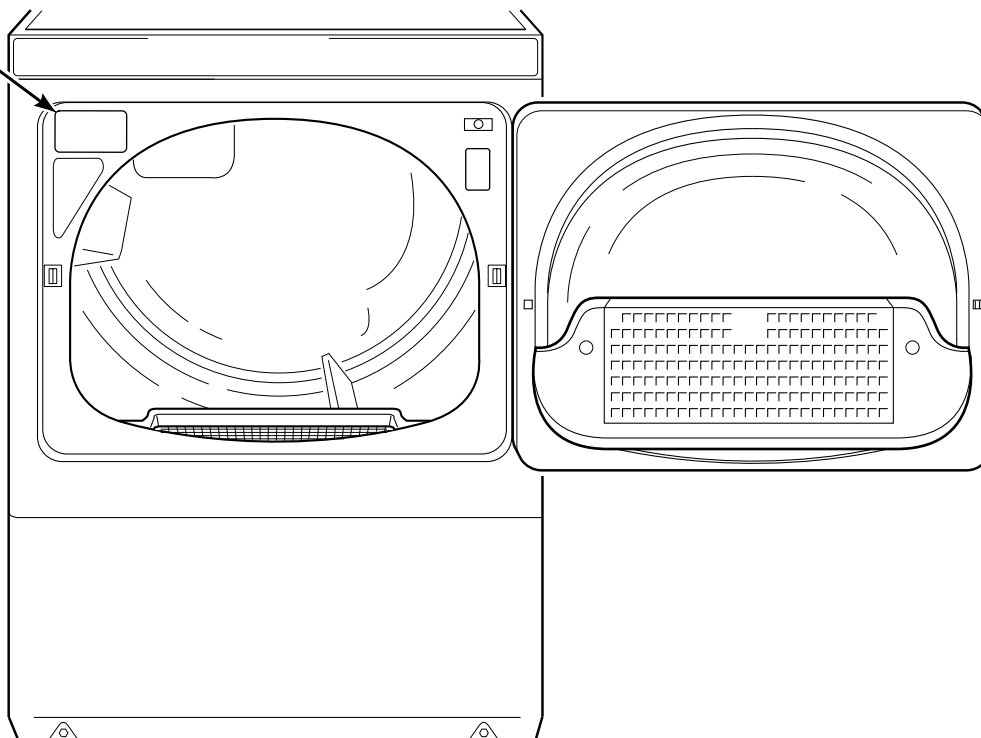
For technical assistance, call the number listed below:

(920) 748-3121 Ripon, Wisconsin

## Serial Plate Location

When calling or writing about your product, be sure to mention model and serial numbers. Model and serial numbers are located on serial plate(s) as shown.

SERIAL PLATE



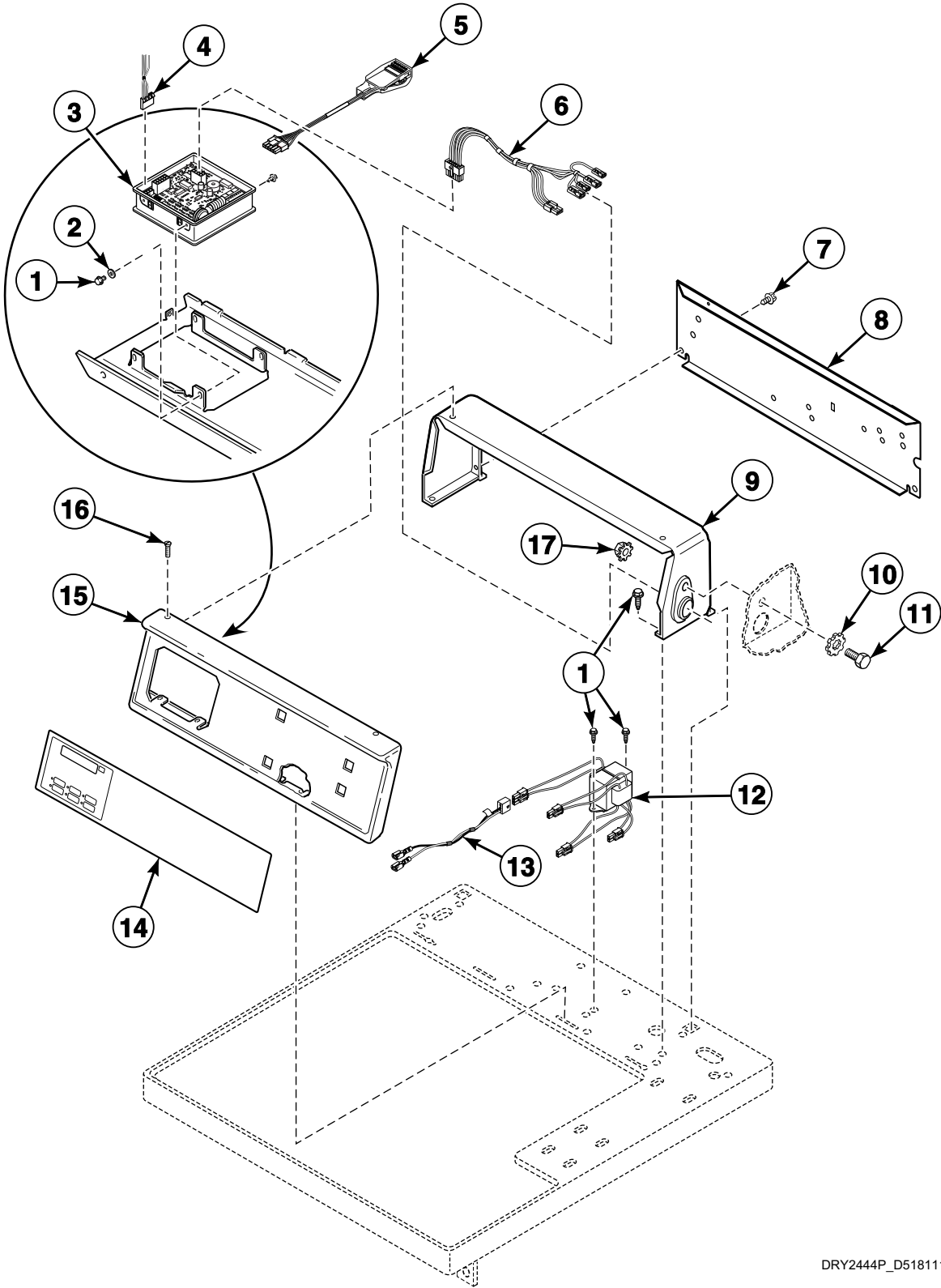
DRY2283P\_D518111

## Model Identification

Information in this manual is applicable to these dryer models:

HDEBCAGS173TW01	KDEBCACW173CN01	SDEMNRGS153TW01
HDEBCAGS176TW01	KDEBCACW173TN01	SDEMNRGS173TW01
HDEBCRGS173TW01	KDEBGACW173CN01	SDESXRGs153TW01
HDEBCRGS176TW01	KDEBGACW173TN01	SDESXRGs173TW01
HDEBERGS153CW01	KDEBGACS176TN01	SDGMNRGS113TW01
HDEBERGS173CW01	KDEBGACW176TN01	SDGSXRGs113TW01
HDEBXAGS173CW01	KDEBXRGs175TW01	UDEMNRGS173CW01
HDEBXRGs153CW01	KDEBXRGs176TW01	UDGMNRGS113CW01
HDEBXRGs173CW01	KDEBYRGs176TW01	
HDEBYAGS173CW01	KDEMNRGS173TW01	
HDEBYRGs153CW01	KDGBCACW113CN01	
HDEBYRGs173CW01	KDGBCACW113TN01	
HDEBYRGs173TW01	KDGBGACW113CN01	
HDEBYRGs176TW01	KDGBGACW113TN01	
HDEMNRGS173CW01	KDGBGACS116TN01	
HDESXRGs153CW01	KDGBGACW116TN01	
HDESXRGs173CW01	KDGBXRGs115TW01	
HDESXRGs173TW01	KDGBXRGs116TW01	
HDGBCAGS113TW01	KDGMNRGS113TW01	
HDGBCAGS116TW01		
HDGBCRGS113TW01		
HDGBCRGS116TW01		
HDGBXAGS113CW01		
HDGBYAGS113CW01		
HDGBYRGs113TW01		
HDGBYRGs116TW01		
HDGMNRGS113CW01		
HDGSXRGs113CW01		
HDGSXRGs113TW01		

# Control Panel and Controls - Rear Control Coin Drop Models

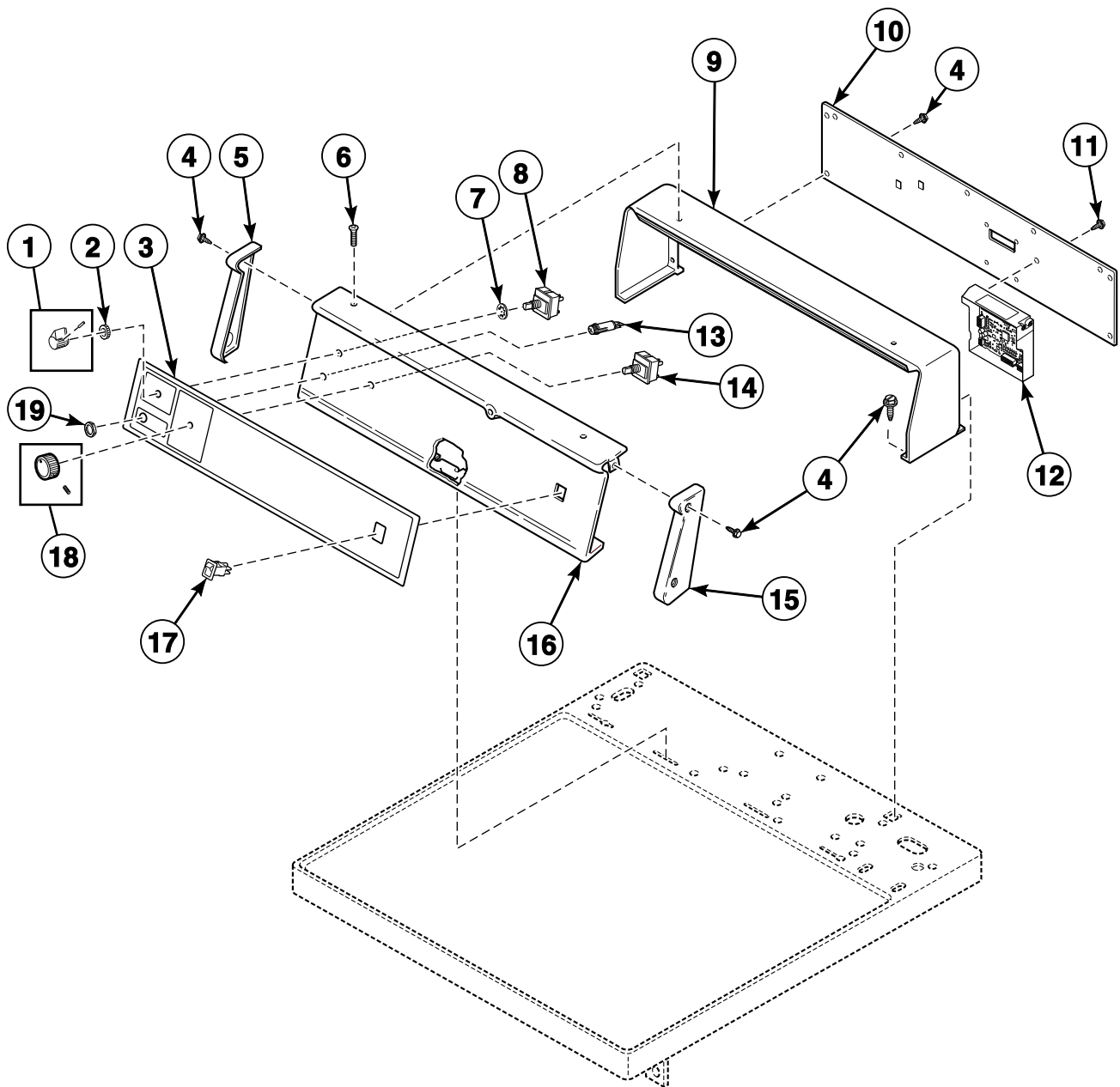


DRY2444P\_D518111

## Control Panel and Controls - Rear Control Coin Drop Models

REF	PART NO.	DESCRIPTION	COMMENTS
1	D503688	Screw	
2	200608	Washer	
3	D518647	Control Assembly	Models HDEBCRGS176TW01, HDGBCRGS116TW01, KDEBXRGS176TW01 and KDGBXRGS116TW01
	D517522	Control Assembly	All other models
4	D511478	Central Pay Harness	
5	203361P	Machine ID Control Assembly	Models HDEBCRGS173TW01, HDEBERGS153CW01, HDEBERGS173CW01, HDEBXRGS153CW01, HDEBXRGS173CW01, HDGBCRGS113TW01, KDEBXRGS175TW01 and KDGBXRGS115TW01; Model or serial number is required when ordering
6	202871	Dual Coin Harness Assembly	Coin drop
7	D505295	Screw	
8	804886	Hood Back Panel	
9	D502567W	Control Hood	White
10	M400017	Washer	
11	02916	Screw	
12	202757	Transformer	
13	804832	Harness	Model HDGBCRGS116TW01
	804832	Harness	Models HDGBCRGS113TW01, KDGBXRGS115TW01 and KDGBXRGS116TW01
	D514073	Transformer Harness	All other models
14	D517898	Control Overlay	Models KDEBXRGS175TW01 and KDGBXRGS115TW01
	D518085	Control Overlay	Models HDEBCRGS176TW01 and HDGBCRGS116TW01
	D518089	Control Overlay	Models KDEBXRGS176TW01 and KDGBXRGS116TW01
	D515553	Control Overlay	All other models
15	807812W	Control Panel	Models HDEBCRGS176TW01, HDGBCRGS116TW01, KDEBXRGS176TW01 and KDGBXRGS116TW01
	D510067W	Control Panel	White; All other models
16	52864	Screw	Phillips head
	35528	Screw	Torx head
17	52566	Nut	

# Control Panel, Control Hood and Controls - Nonmetered Rear Control Models

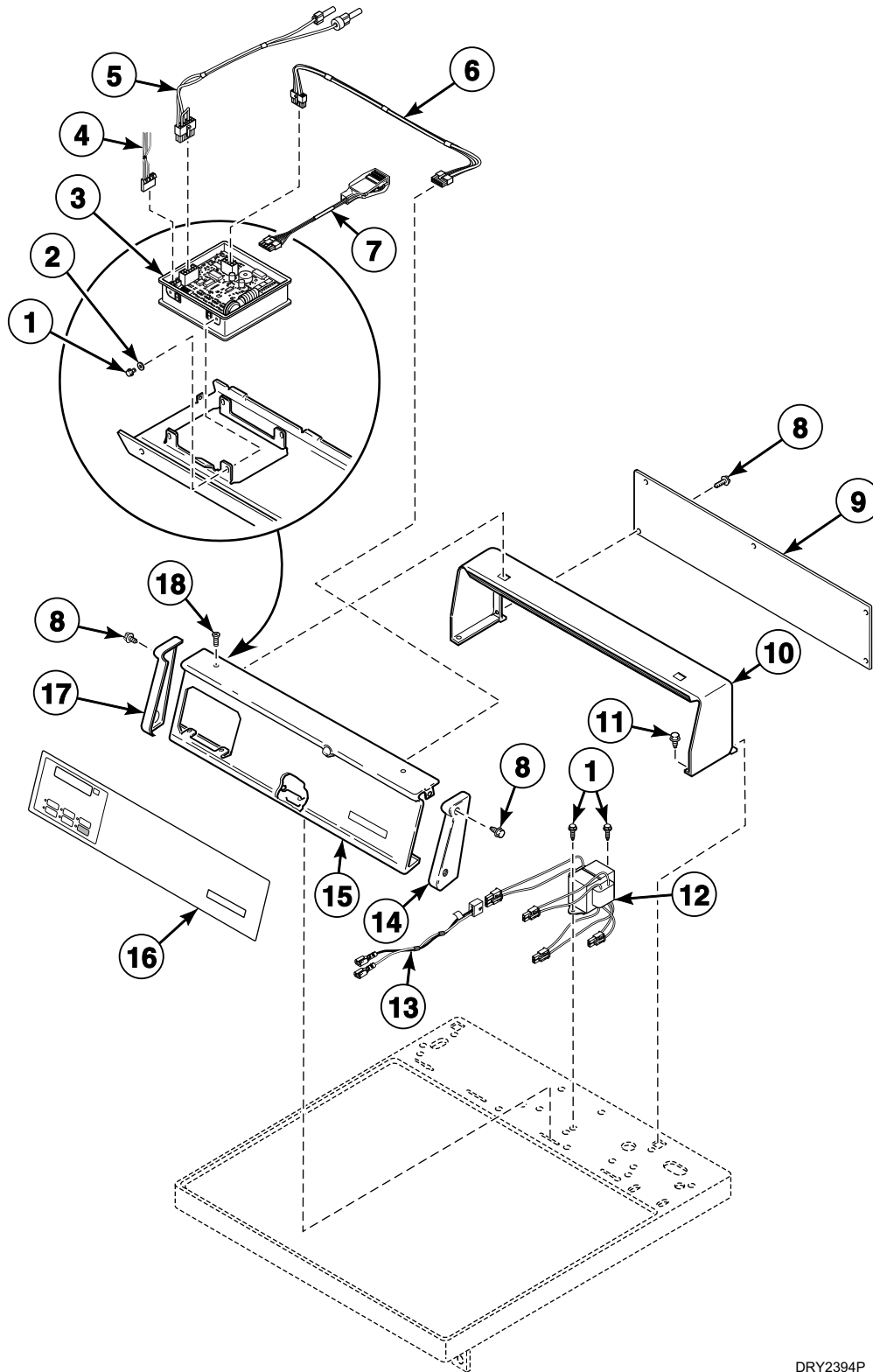


DRY2503P\_D518111

## Control Panel, Control Hood and Controls - Nonmetered Rear Control Models

REF	PART NO.	DESCRIPTION	COMMENTS
1	39897	Switch Knob	
2	24205	Nut	
3	D515552	Control Overlay	Models HDEMNRGS173CW01 and HDGMNRGS113CW01
	D515568	Control Panel Overlay	Models KDEMNRGS173TW01 and KDGMRNRGS113TW01
	D515562	Control Overlay	Models UDEMNRGS173CW01 and UDGMRNRGS113CW01
	D515526	Control Panel Overlay	All other models
4	D505295	Screw	
5	210109W	End Cap	Left
6	52864	Screw	Phillips head
	35528	Screw	Torx head
7	91029	Washer	
8	D511711	Temperature Selector Switch	
9	D511253W	Control Hood	
10	D511254	Rear Panel	
11	804608	Screw	
12	D517526	Control Assembly	
13	801431	Light	
14	201686	Cycle Selector Switch	
15	210108W	End Cap	Right
16	D515578W	Control Panel Assembly	
17	70455101	Rocker Switch	
18	54678	Timer Knob	
19	52947	Nut	

# Control Panel and Controls - Rear Control Card Models

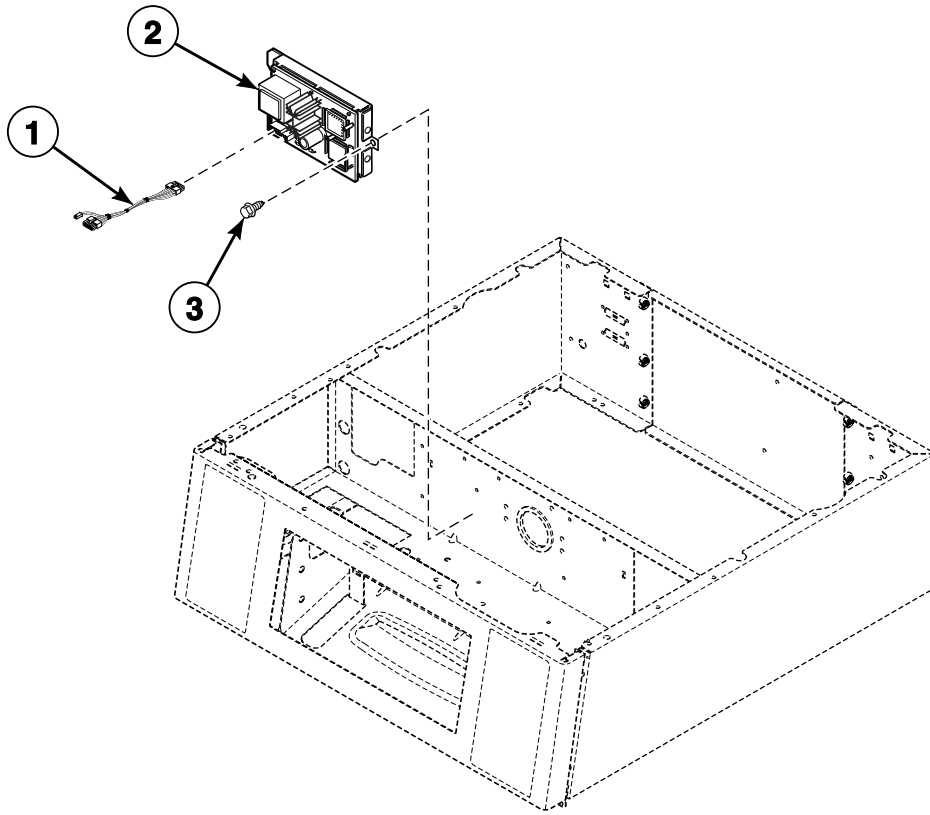


DRY2394P\_D518111

## Control Panel and Controls - Rear Control Card Models

REF	PART NO.	DESCRIPTION	COMMENTS
1	D503688	Screw	
2	200608	Washer	
3	D518647	Control Assembly	Models HDEBYRGS176TW01 and HDGBYRGS116TW01
	D517522	Control Assembly	All other models
4	D511478	Central Pay Harness	
5	202869	Wiring Harness Assembly	
6	800125P	Card Reader Wire Harness Assembly	
7	203361P	Machine ID Control Assembly	Models HDEBYRGS153CW01, HDEBYRGS173CW01, HDEBYRGS173TW01 and HDGBYRGS113TW01; Model or serial number is required when ordering
8	D505295	Screw	
9	804884	Rear Panel	
10	D511253W	Control Hood	White
11	02916	Screw	
12	202757	Transformer	
13	D514073	Transformer Harness	Models HDEBYRGS153CW01, HDEBYRGS173CW01, HDEBYRGS173TW01 and HDEBYRGS176TW01
	804832	Harness	Models HDGBYRGS113TW01 and HDGBYRGS116TW01
14	210108W	End Cap	Right
15	807774W	Control Panel	Models HDEBYRGS176TW01, HDGBYRGS116TW01 and KDEBYRGS176TW01
	D511055W	Control Panel	White; All other models
16	D518086	Control Overlay	Models HDEBYRGS176TW01 and HDGBYRGS116TW01
	D519276	Control Overlay	Model KDEBYRGS176TW01
	D515554	Control Overlay	All other models
17	210109W	End Cap	Left
18	52864	Screw	Phillips head
	35528	Screw	Torx head

# Network Board Assembly

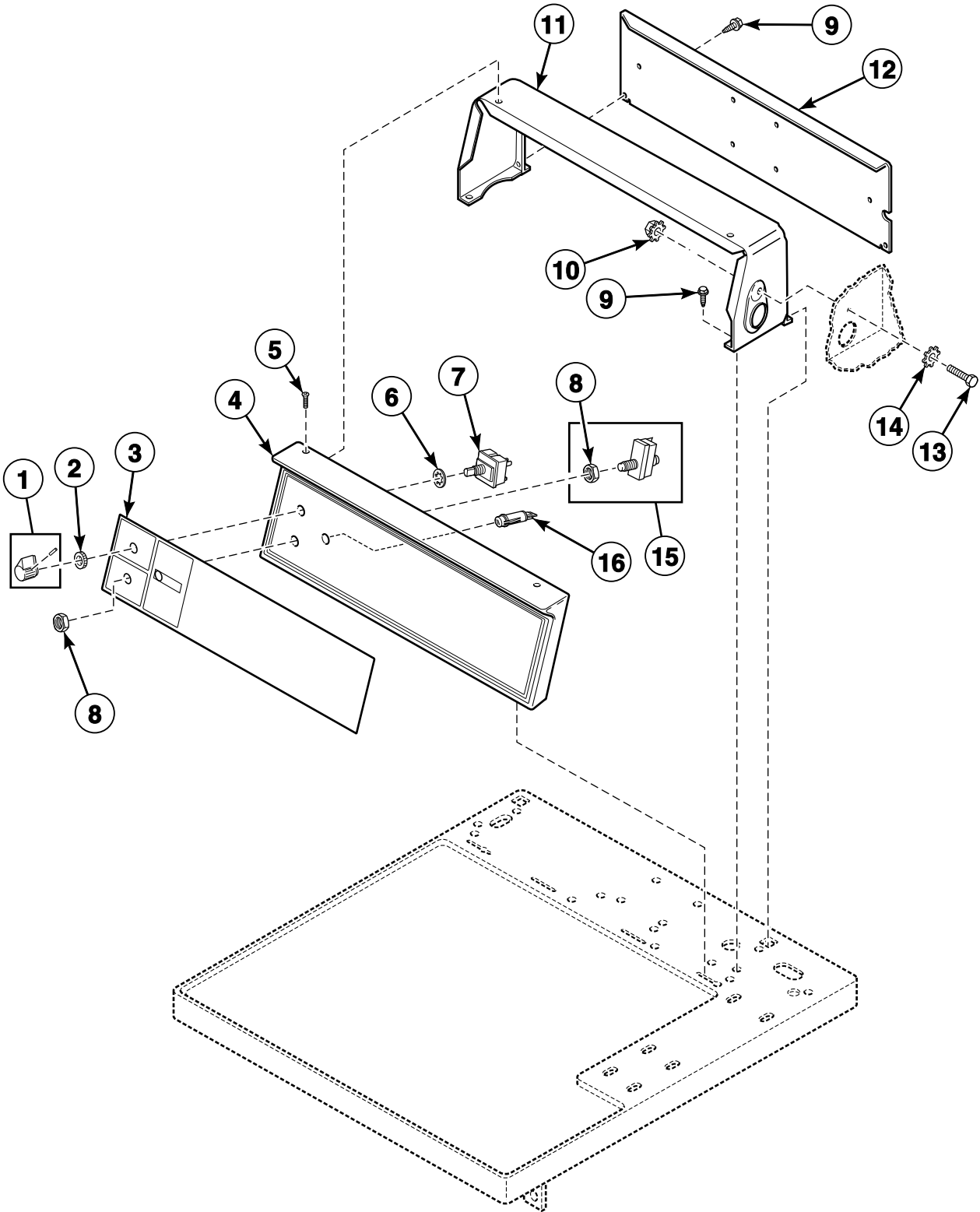


FLW1813P

# Network Board Assembly

REF	PART NO.	DESCRIPTION	COMMENTS
	205256	USB-NFC Interface Kit	Models HDEBCAGS176TW01, HDEBCRGS176TW01, HDEBYRGS176TW01, HDGBCAGS116TW01, HDGBCRGS116TW01, HDGBYRGS116TW01, KDEBXRGS176TW01 and KDGBXRGS116TW01
1	F8713906	Serial Pay Harness	
2	807714	Serial Pay Control Assembly	
3	D503661	Screw	

# Control Panel and Control Hood - Coin Slide Rear Control Models

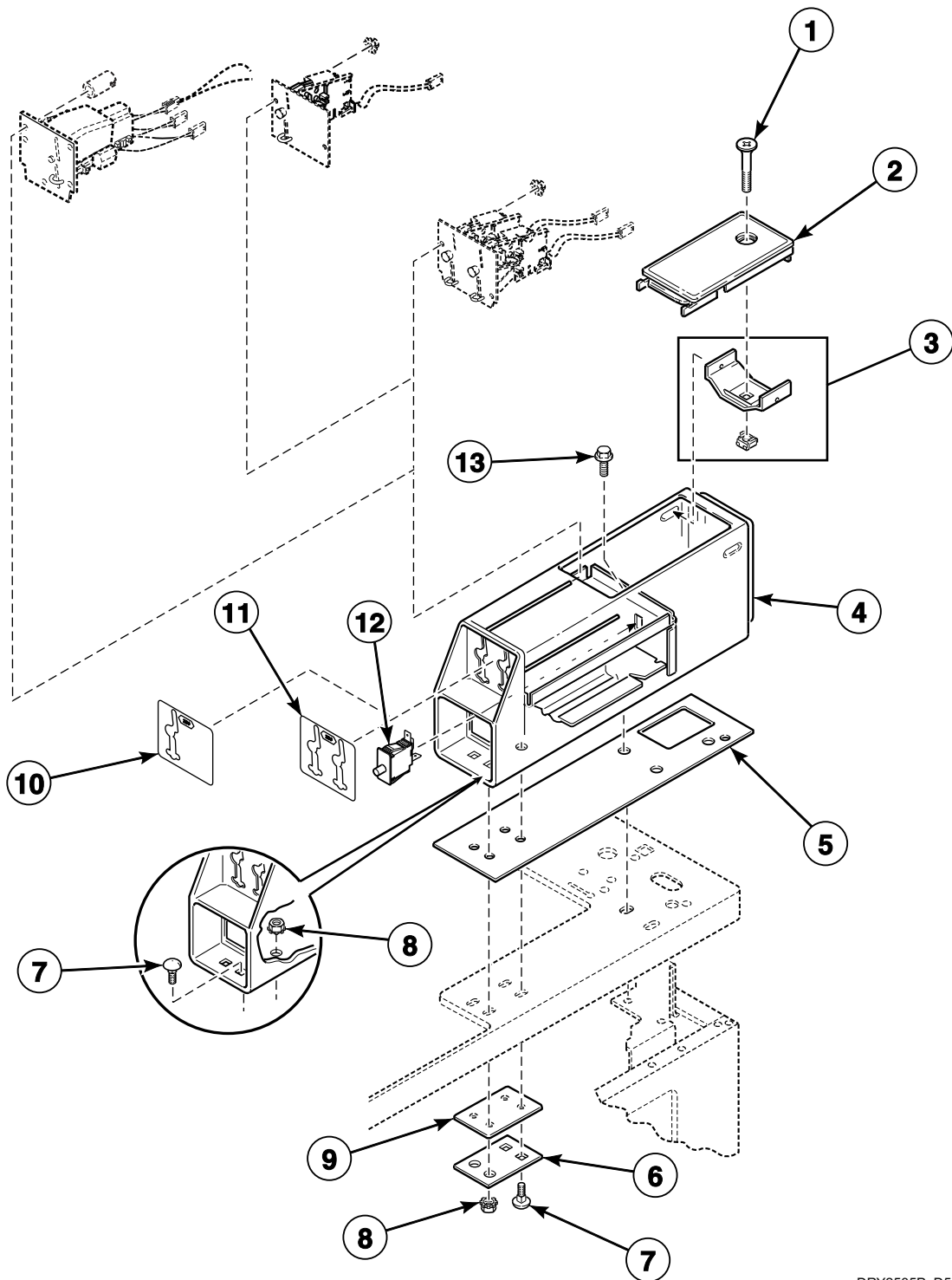


DRY2504P\_D518111

## Control Panel and Control Hood - Coin Slide Rear Control Models

REF	PART NO.	DESCRIPTION	COMMENTS
1	39897	Switch Knob	
2	24205	Nut	
3	D515551	Control Panel Overlay	Models HDESXRGS153CW01, HDESXRGS173CW01, HDESXRGS173TW01, HDGSXRGS113CW01 and HDGSXRGS113TW01
	D515525	Control Panel Overlay	All other models
4	D501738W	Control Panel and Bracket Assembly	White
	D501738Q	Control Panel and Bracket Assembly	Bisque
5	52864	Screw	
	35528	Screw	Optional for added security
6	91029	Washer	
7	D511711	Temperature Selector Switch	
8	52947	Nut	
9	D505295	Screw	
10	29786	Nut	White
11	D502567W	Control Hood	White
	D502567Q	Control Hood	Bisque
12	804886	Hood Back Panel	
13	02916	Screw	
14	M400017	Washer	
15	55882	Switch Assembly	Includes item 8
16	801431	Light	

# Meter Case - Rear Control Coin Drop Models



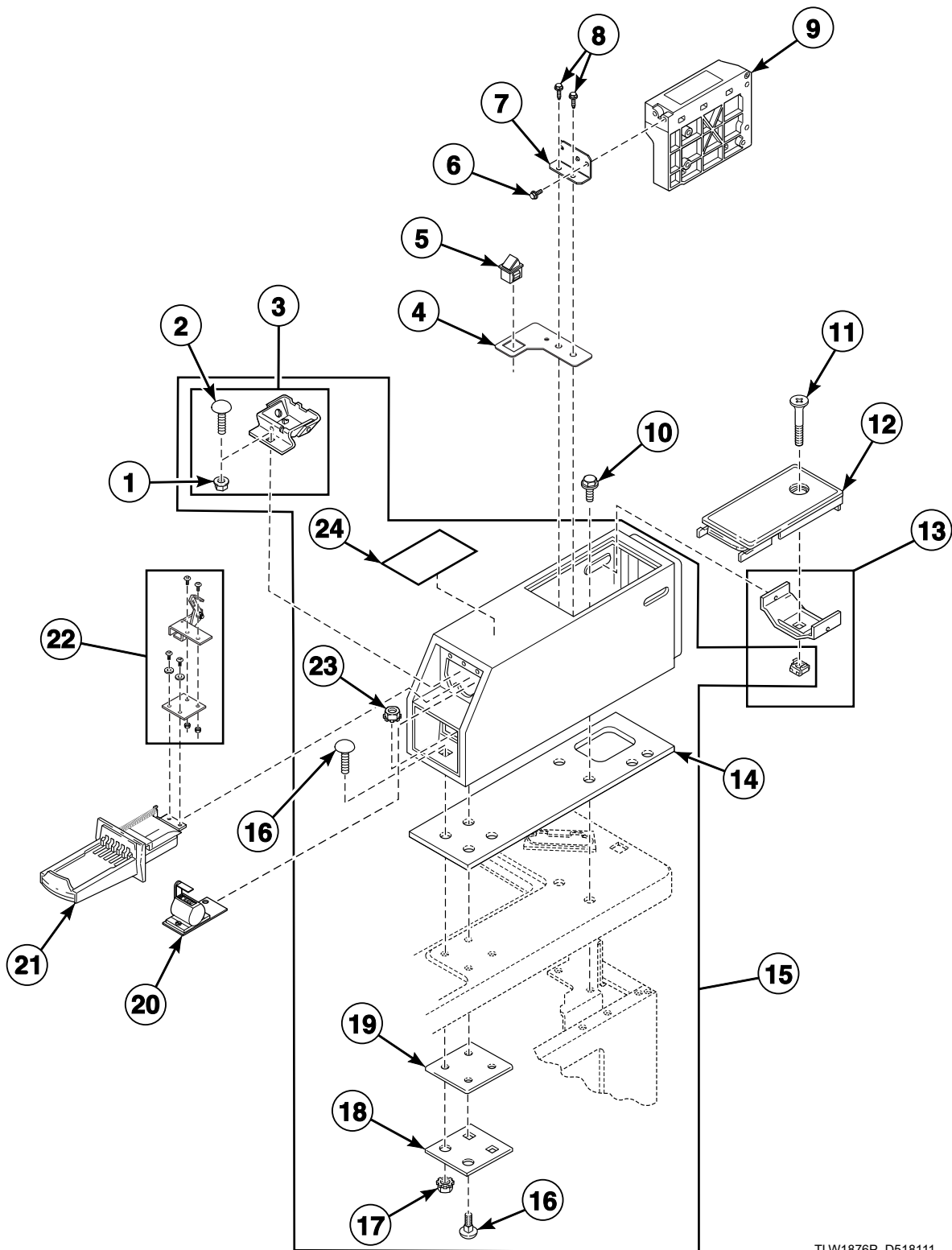
DRY2535P\_D518111

## Meter Case - Rear Control Coin Drop Models

REF	PART NO.	DESCRIPTION	COMMENTS
	D513371	Read Instructions Label	
1	D503673	Screw	
2	39874WP	Service Door Assembly	White
	39874QP	Service Door Assembly	Bisque
	39874DGP	Service Door Assembly	Gray
3	204616	Meter Case Locking Bracket Kit	
4	807406W	Meter Case Assembly	Models HDEBERGS153CW01 and HDEBERGS173CW01
	202877W	Meter Case Assembly	White; All other models
	807096W	Meter Case Assembly	White; High capacity; All other models
5	26354	Meter Case Gasket	
6	35525	Meter Case Lockdown Bracket	
7	203798	Bolt	Through 11/21/22
	2916	Screw	Starting 11/22/22
8	29786	Nut	Through 11/21/22
	44087101	Nut	Starting 11/22/22
	M400017	Washer	Starting 11/22/22
9	35526	Meter Case Bracket Gasket	
10	38717	Single Overlay	For non-electronic coin drops
	201091	Overlay	For electronic coin drops
11	39073	Dual Overlay	
12	70529301	Switch	
13	36048	Screw	

# Coin Slide Extension, Meter Case and Control

Coin Slide Models

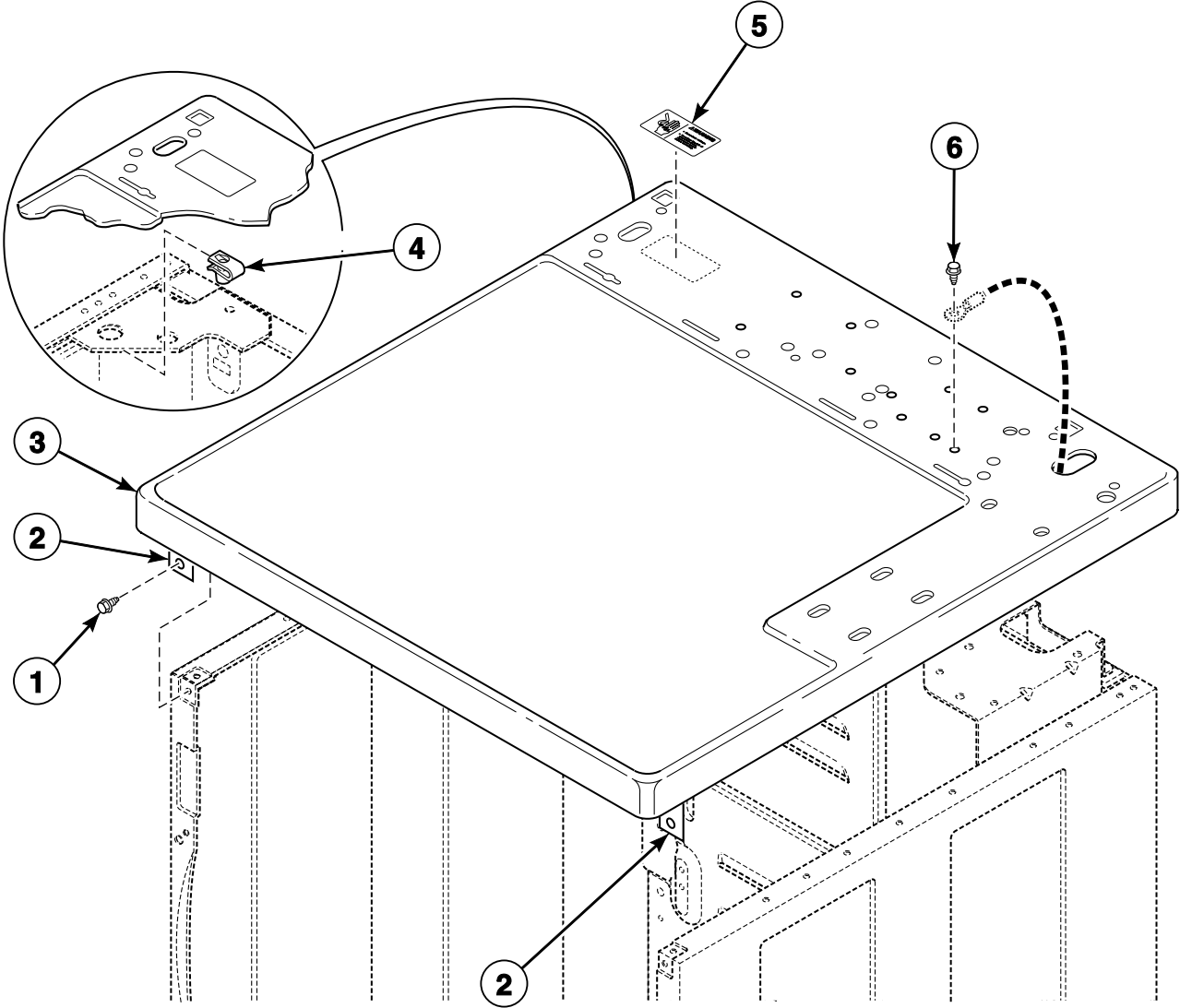


TLW1876P\_D518111

## Coin Slide Extension, Meter Case and Control

REF	PART NO.	DESCRIPTION	COMMENTS
1	29796	Nut	
2	29651	Bolt	
3	523P3	Coin Funnel Kit	
4	803662	Bracket	
5	431159	Switch	
6	D501524	Screw	
7	201581	Chassis Mounting Bracket	
8	D503688	Screw	
9	D517526	Control Assembly	
10	36048	Screw	
11	D503673	Screw	
12	39874WP	Service Door Assembly	White
13	204616	Meter Case Locking Bracket Kit	
14	26354	Meter Case Gasket	
15	803575WP	Meter Case Assembly Kit	White; Includes items 3, 13, 14, 16-19 and 23
16	203798	Bolt	
17	29786	Nut	
18	35525	Meter Case Lockdown Bracket	
19	35526	Meter Case Bracket Gasket	
20	201280P	Mechanical Counter Kit Assembly	No longer available
21	CK001	Coin Slide Kit	U.S.A.
	CK009	Coin Slide Kit	STD-118-1 Token
	CK010P	Coin Slide Kit	STD-118-5 Token
	CK011	Coin Slide Kit	STD-118-10 Token
	CK014	Coin Slide Kit	U.S.A.
	CK017	Coin Slide Kit	Chilly Willy
	CK027	Slide	Tokette
22	200913	Coin Slide Extension Kit	Includes spring and items 4 and 5
	804794	Spring	
23	802337	Nut	
24	D500628	Instruction Label	

# Cabinet Top - Rear Control Models



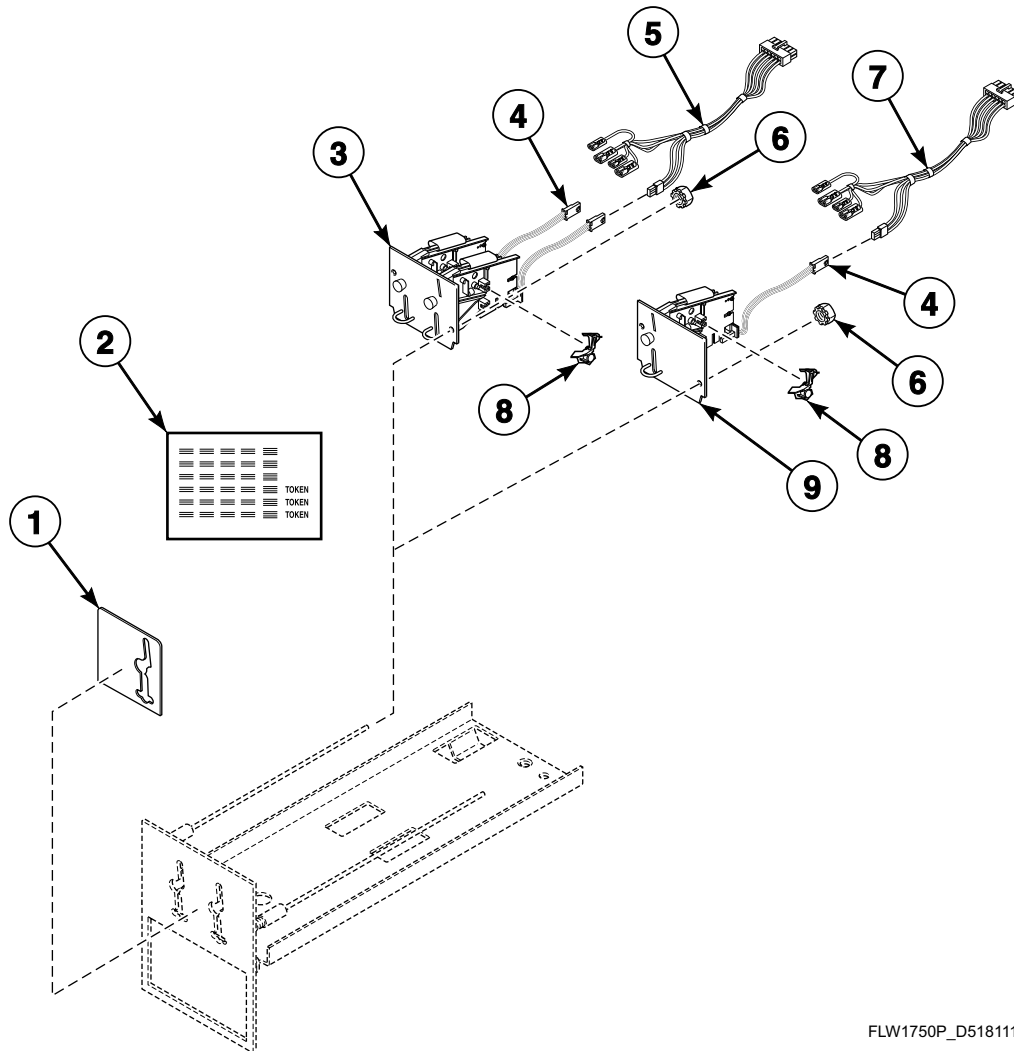
DRY2181P\_D518111

## Cabinet Top - Rear Control Models

REF	PART NO.	DESCRIPTION	COMMENTS
1	D503688	Screw	
2	D510146	Bracket	
3	D511530WP	Top Panel Kit	White; Includes item 2; Models HDEMNRGS173CW01, HDGMNRGS113CW01, KDEBYRGS176TW01, KDEMNRGS173TW01, KDGMNRGS113TW01, SDEMNRGS153TW01, SDEMNRGS173TW01, SDGMNRGS113TW01, UDEMNRGS173CW01 and UDGMNRGS113CW01
	D511527WP	Top Kit	White; All other models
4	27222	Nut	
5	D500316	Warning Label	English/French
	D505281	Disconnect Power Warning Label	English
6	D503688	Screw	

# Non-Electronic Coin Drop

Coin Drop Models



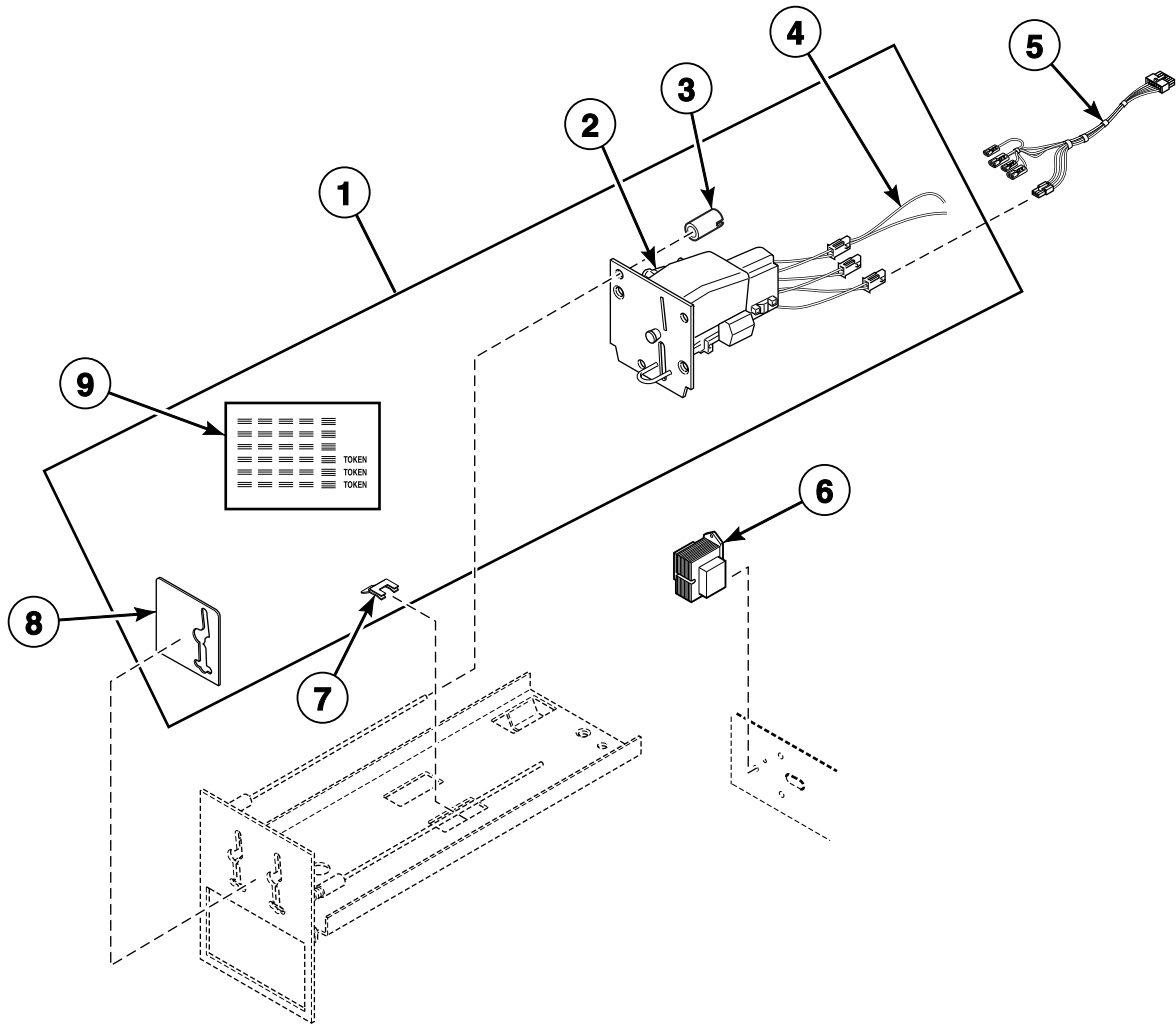
FLW1750P\_D518111

## Non-Electronic Coin Drop

REF	PART NO.	DESCRIPTION	COMMENTS
1	38717	Single Overlay	
2	38725	Coin Identification Paper	
3	70441602	Coin Drop Assembly	Canada; 0.25 and 1.00
	70441603	Coin Drop	U.S.A.; \$0.25 and \$1.00
4	200674P	Opto Coupler	
5	806827	Dual Coin Harness Assembly	
6	29786	Nut	
7	204914	Single Coin Harness Assembly	Models HDEBCAGS176TW01, HDEBCRGS176TW01, HDGBCAGS116TW01 and HDGBCRGS116TW01
	806826	Single Coin Harness Assembly	All other models
8	201595P	Wire Guard	Anti-stringing security device
9	70441601P	Coin Drop	U.S.A.; \$0.25
	38464P	Coin Drop Assembly	Canada; 0.25
	38462P	Coin Drop Assembly	Token; STD-118-1
	38463	Coin Drop Assembly	Token; STD-118-5
	38963P	Coin Drop	Token 118-16 not available; Replacement for 38963P Con Drop only

# Electronic Coin Drop

Coin Drop Models

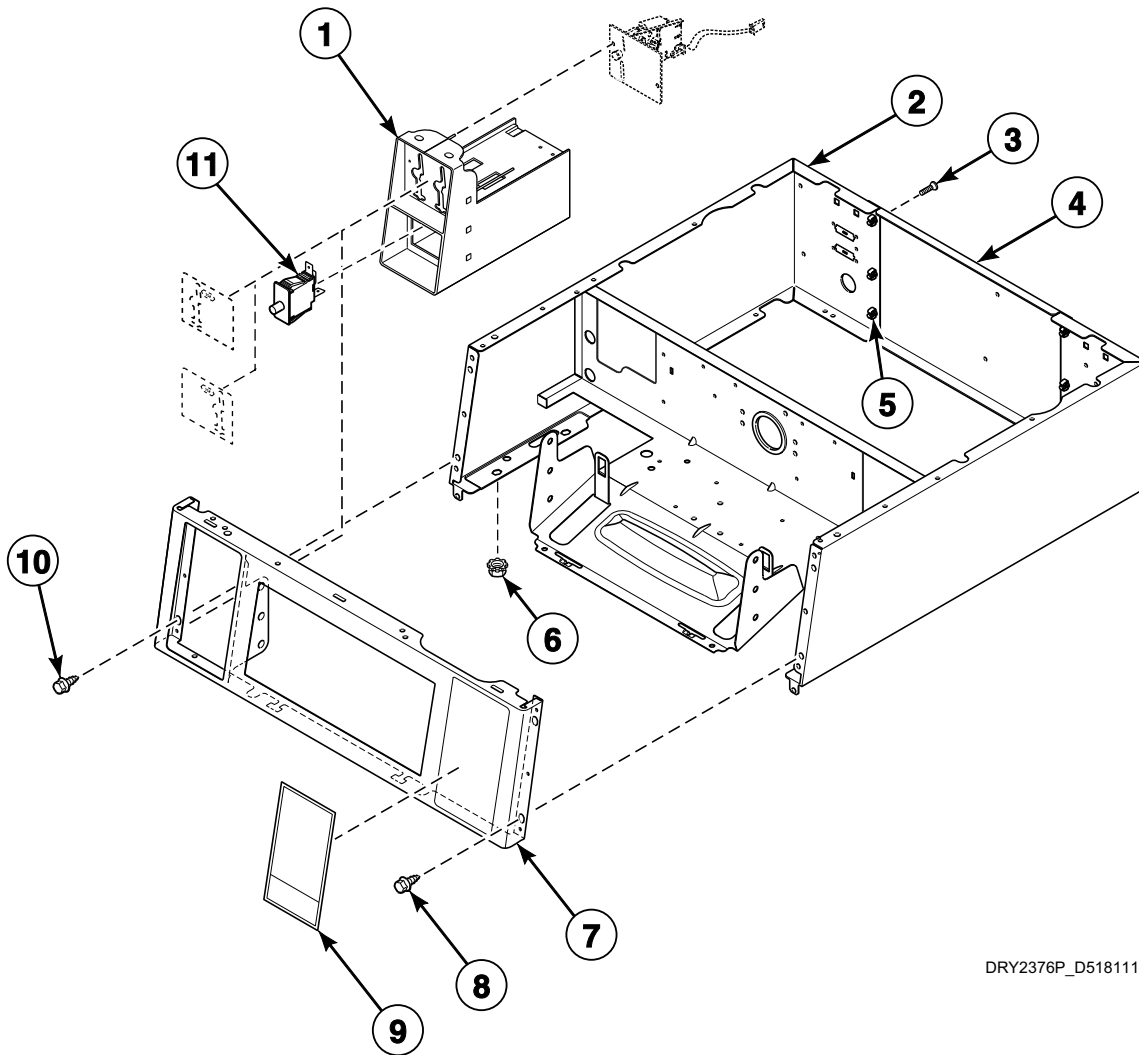


FLW1005P\_D518111

## Electronic Coin Drop

REF	PART NO.	DESCRIPTION	COMMENTS
1	CK110	Electronic Coin Drop Kit	Includes items 2-3 and 7-9; Mexico, Ecuador and United States coins
	CK115	Electronic Coin Drop Kit	Includes items 2-3 and 7-9; United States and Canada coins
2	70513306	Electronic Coin Drop Assembly	Mexico, Ecuador and Unites States coins
	70294122	Electronic Coin Drop Assembly	Great Britain and token coins
3	201216	Nut	
	29786	Nut	Use on front control models with no guide rods
4	201104	Coin Drop Wire Harness	
5	204915	Dual Coin Harness Assembly	Models KDEBXRGS176TW01 and KDGBXRGS116TW01
	806827	Dual Coin Harness Assembly	All other models; Electronic coin drop requires this harness. If unit is not factory-equipped with this harness, it must be ordered separately
6	201375P	Transformer	Electronic coin drop requires this transformer. If unit is not factory-equipped with this transformer, it must be ordered separately.
7	201572	Clip	
8	201091	Overlay	
9	38725	Coin Identification Paper	

# Control Cabinet Controls - 10 Degree Front Control Coin Models



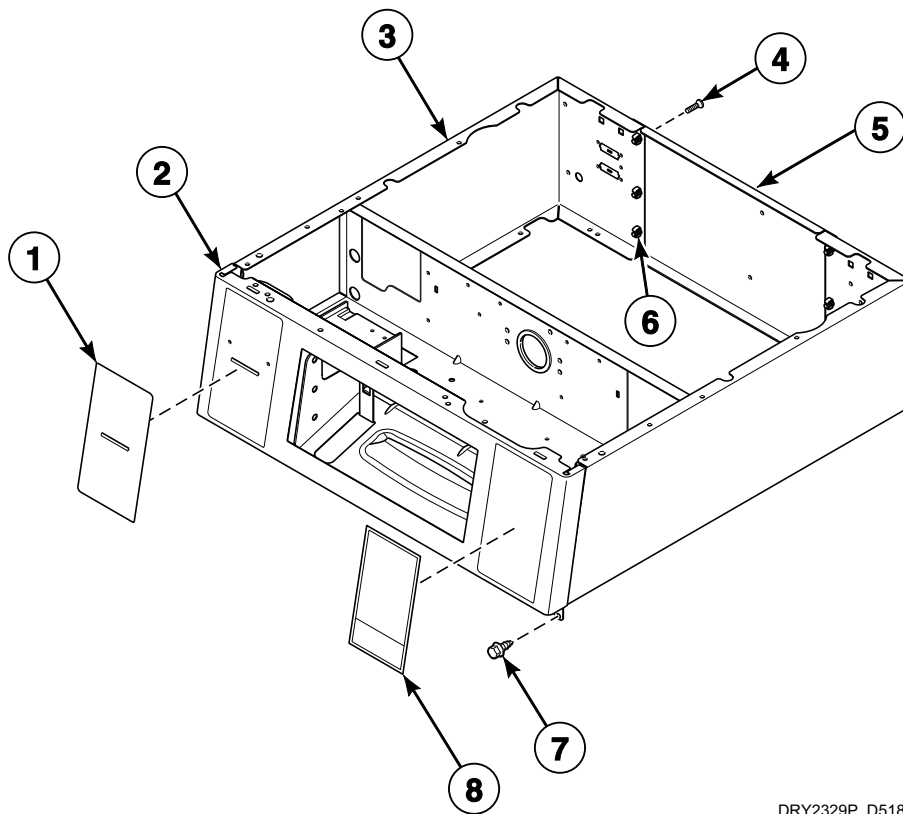
DRY2376P\_D518111

# Control Cabinet Controls - 10 Degree Front Control Coin Models

REF	PART NO.	DESCRIPTION	COMMENTS
1	807396W	Meter Case Assembly	White; Requires high capacity coin vault
	807396B	Meter Case Assembly	Black
	804009Q	Meter Case Assembly	Bisque
2	804104W	Wrapper Assembly	White
	804104B	Wrapper Assembly	Black
	804104Q	Wrapper Assembly	Bisque
3	70240301	Screw	6 required
4	807646	Rear Access Panel	
5	70030501	Expansion Clip	6 required
6	44087201	Nut	
7	803962WP	Control Panel	White
	803962BP	Control Panel	Black
	803962Q	Control Panel	Bisque
8	M405188	Screw	Use with stainless steel side panels
	D503688	Screw	Use with painted side panels
9	D518482	Operating Instructions Label	Models HDEBCAGS176TW01 and HDGBCAGS116TW01
	D518482	Operating Instructions Label	All other models
10	29651	Bolt	
11	D512973	Switch	

# Control Cabinet Controls - 10 Degree Front Control Card/OPL Models

Models HDEBYAGS173CW01, HDGBYAGS113CW01, KDEBGACS176TN01, KDEBGACW173CN01,  
KDEBGACW173TN01, KDEBGACW176TN01, KDGBGACS116TN01, KDGBGACW113CN01,  
KDGBGACW113TN01 and KDGBGACW116TN01

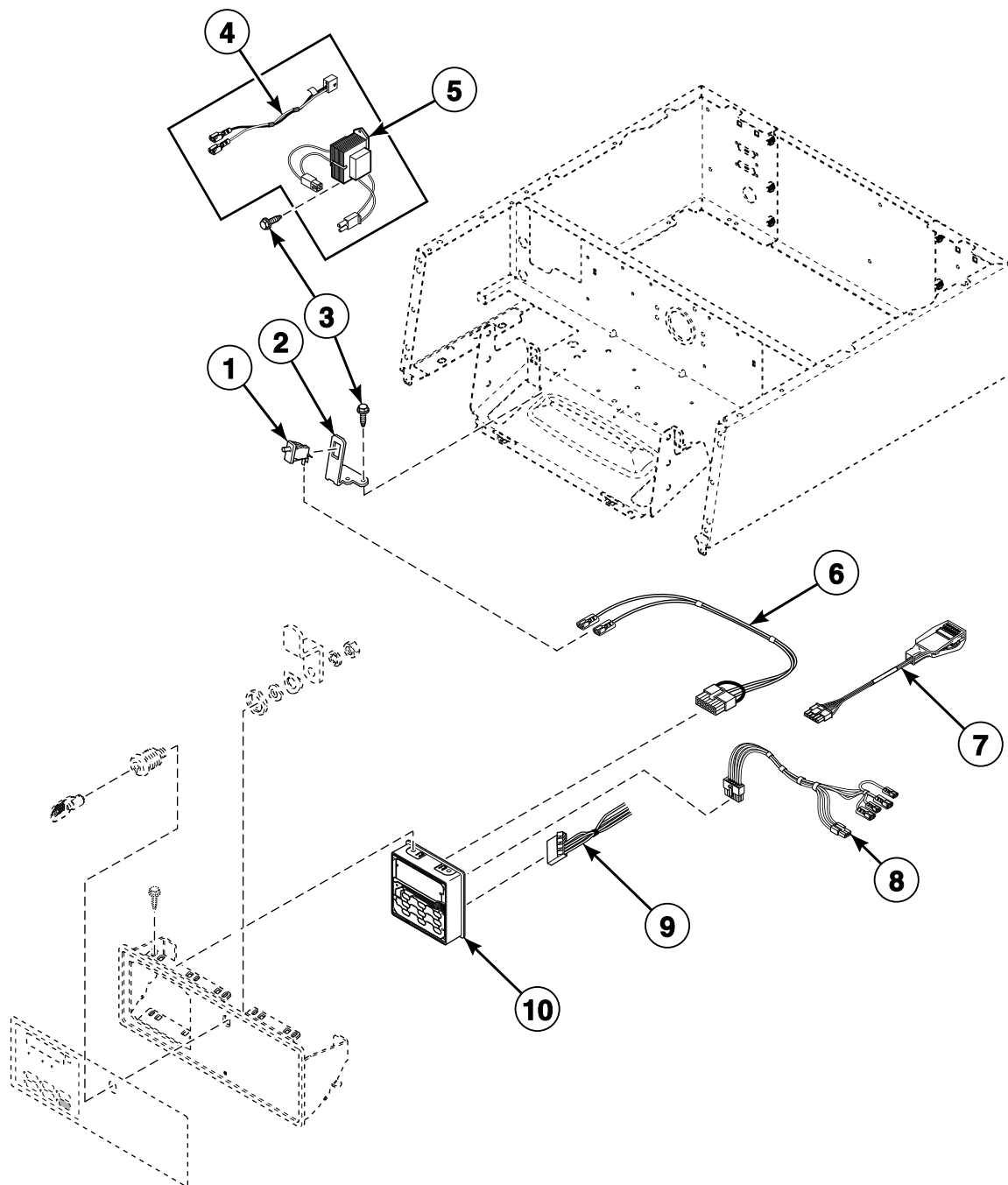


DRY2329P\_D518111

## Control Cabinet Controls - 10 Degree Front Control Card/OPL Models

REF	PART NO.	DESCRIPTION	COMMENTS
1	D514873	Overlay	Models HDEBYAGS173CW01 and HDGBYAGS113CW01
2	D515215	Control Panel Assembly	Gray; Models KDEBGACW173CN01, KDEBGACW173TN01, KDGBGACW113CN01 and KDGBGACW113TN01
	D518297	Control Panel Assembly	Gray; Models KDEBGACS176TN01, KDEBGACW176TN01, KDGBGACS116TN01 and KDGBGACW116TN01
	804149WP	Security Cabinet Assembly	White; All other models
3	D515216	Security Wrapper Assembly	Gray; Models KDEBGACS176TN01, KDEBGACW173CN01, KDEBGACW173TN01, KDEBGACW176TN01, KDGBGACS116TN01, KDGBGACW113CN01, KDGBGACW113TN01 and KDGBGACW116TN01
	804112W	Wrapper Assembly	White; All other models
4	70240301	Screw	6 required
5	807646	Rear Access Panel	
6	70030501	Expansion Clip	6 required
7	D503688	Screw	
8	D518482	Operating Instructions Label	Models KDEBGACS176TN01, KDEBGACW176TN01, KDGBGACS116TN01 and KDGBGACW116TN01
	D518482	Operating Instructions Label	All other models

# Control Panel and Controls - 10 Degree Front Control Models (Drawing 1 of 2)

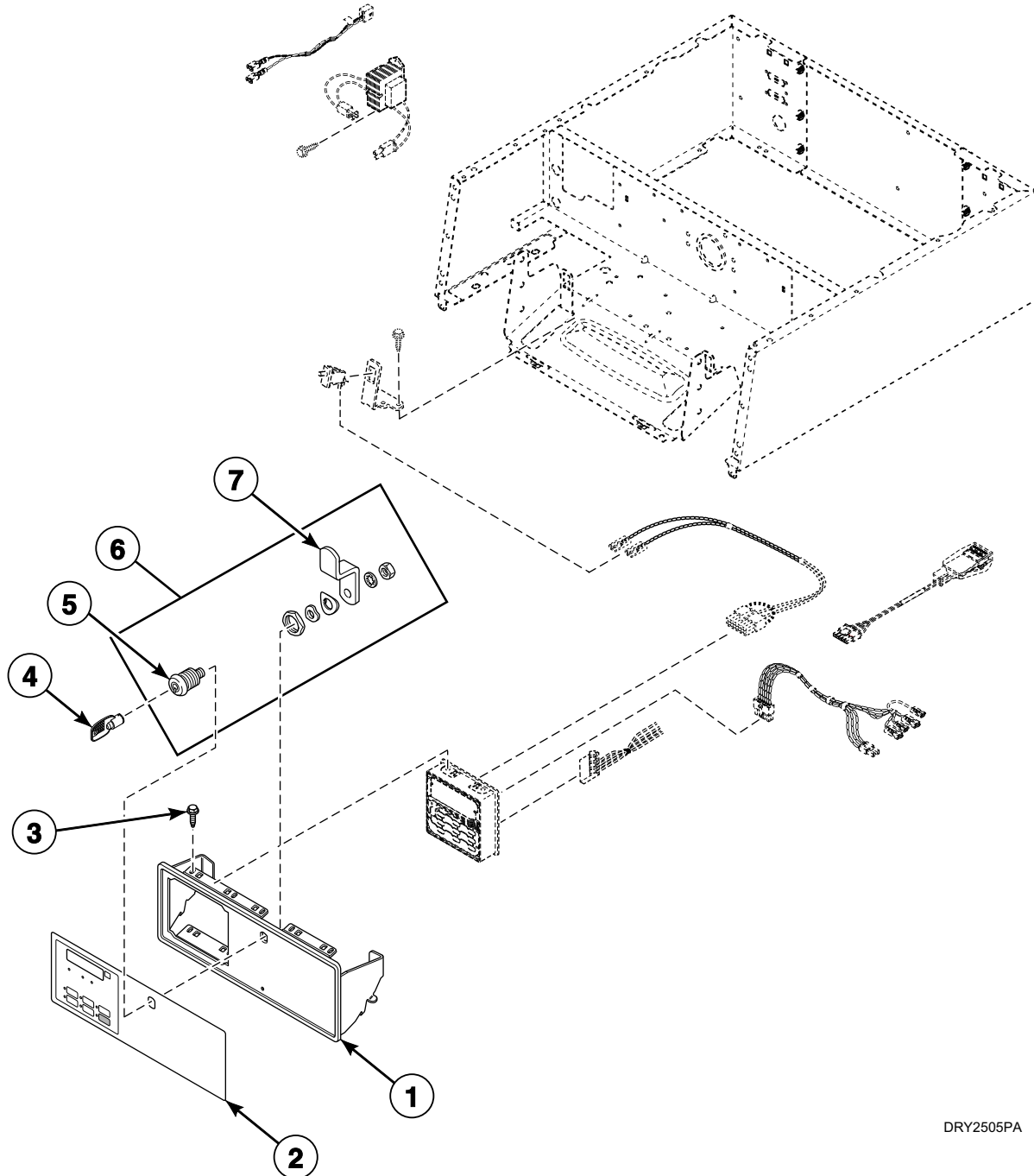


DRY2505P\_D518111

## Control Panel and Controls - 10 Degree Front Control Models (Drawing 1 of 2)

REF	PART NO.	DESCRIPTION	COMMENTS
1	D512973	Switch	
2	800379	Audit Switch Bracket	
3	D503661	Screw	
4	D514072	Transformer Harness	Models HDEBCAGS173TW01, HDEBCAGS176TW01, HDEBXAGS173CW01, HDEBYAGS173CW01, HDGBCAGS116TW01, KDEBCACW173CN01, KDEBCACW173TN01, KDEBGACS176TN01, KDEBGACW173CN01, KDEBGACW173TN01 and KDEBGACW176TN01
	804795	Transformer Harness	All other models
5	202757	Transformer	
6	202868	Wiring Harness Assembly	Diagnostic
7	203361P	Machine ID Control Assembly	Models HDEBCAGS173TW01, HDEBXAGS173CW01, HDEBYAGS173CW01, HDGBCAGS113TW01, HDGBXAGS113CW01, HDGBYAGS113CW01, KDEBCACW173CN01, KDEBCACW173TN01, KDEBGACW173CN01, KDEBGACW173TN01, KDGBACW113CN01, KDGBACW113TN01, KDGBGACW113CN01 and KDGBGACW113TN01; Model or serial number is required when ordering
8	202870	Single Coin Harness Assembly	
	202871	Dual Coin Harness Assembly	
9	805427	Central Pay Harness	
10	D518647	Control Assembly	Models HDEBCAGS176TW01, HDGBCAGS116TW01, KDEBGACS176TN01, KDEBGACW176TN01, KDGBGACS116TN01 and KDGBGACW116TN01
	D515808P	Control Assembly	All other models

# Control Panel and Controls - 10 Degree Front Control Models (Drawing 2 of 2)

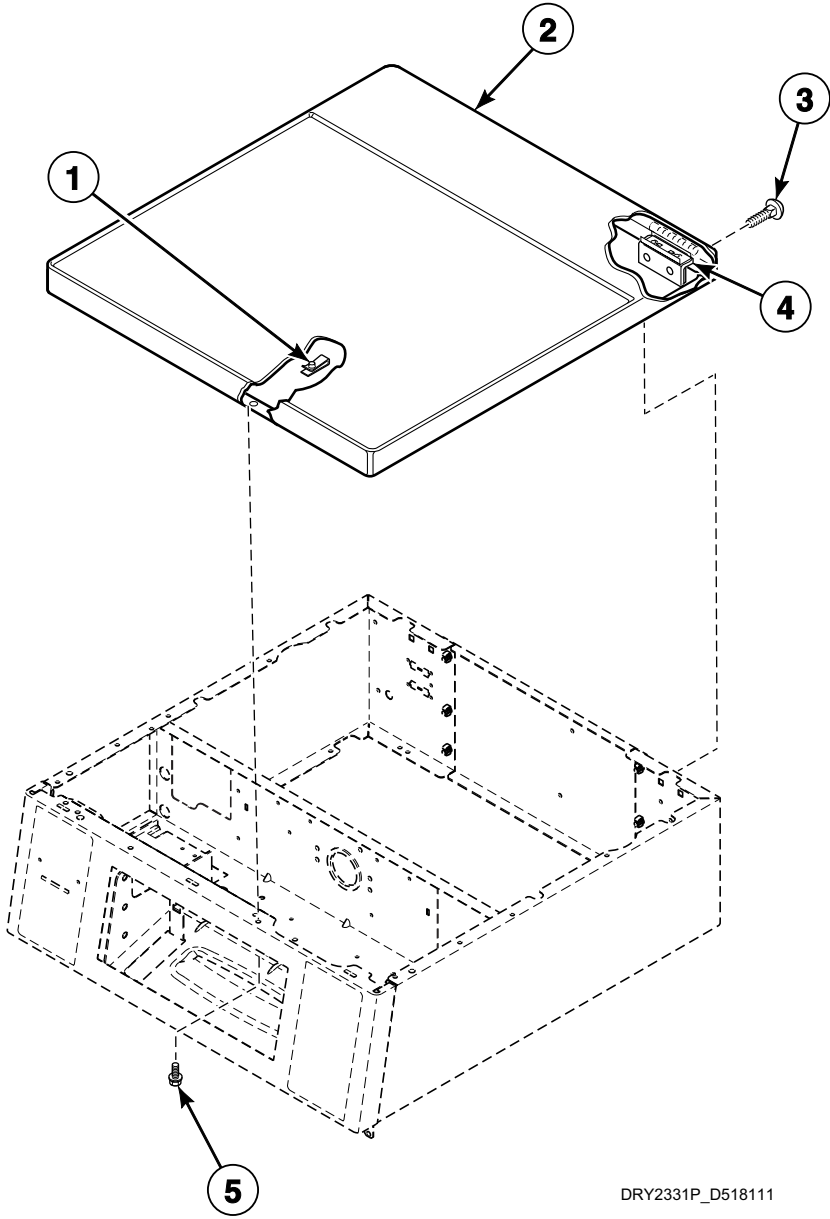


DRY2505PA

## Control Panel and Controls - 10 Degree Front Control Models (Drawing 2 of 2)

REF	PART NO.	DESCRIPTION	COMMENTS
1	807641W	Control Panel and Bracket Assembly	Models HDEBCAGS176TW01, HDGBCAGS116TW01, KDEBGACS176TN01, KDEBGACW176TN01, KDGBGACS116TN01 and KDGBGACW116TN01
	D513777W	Control Panel and Bracket Assembly	White
	D513777B	Control Panel and Bracket Assembly	Black
	D513777Q	Control Panel and Bracket Assembly	Bisque
2	D515571	Control Overlay	Models KDEBCACW173CN01, KDEBCACW173TN01, KDEBGACW173CN01, KDEBGACW173TN01, KDGBCACW113CN01, KDGBCACW113TN01, KDGBGACW113CN01 and KDGBGACW113TN01
	D518087	Control Overlay	Models HDEBCAGS176TW01 and HDGBCAGS116TW01
	D518088	Control Overlay	Models KDEBGACS176TN01, KDEBGACW176TN01, KDGBGACS116TN01 and KDGBGACW116TN01
	D515555	Control Overlay	All other models
3	D501524	Screw	
4	54612	Key	800
5	807761	Lock Assembly	Models HDEBCAGS176TW01, HDGBCAGS116TW01, KDEBGACS176TN01, KDEBGACW176TN01, KDGBGACS116TN01 and KDGBGACW116TN01
6	27260P	Lock Kit	Includes item 4
7	807760	Lock Cam	Models HDEBCAGS176TW01, HDGBCAGS116TW01, KDEBGACS176TN01, KDEBGACW176TN01, KDGBGACS116TN01 and KDGBGACW116TN01
	804338	Lock Cam	All other models

# Cabinet Top - 10 Degree Front Control Models



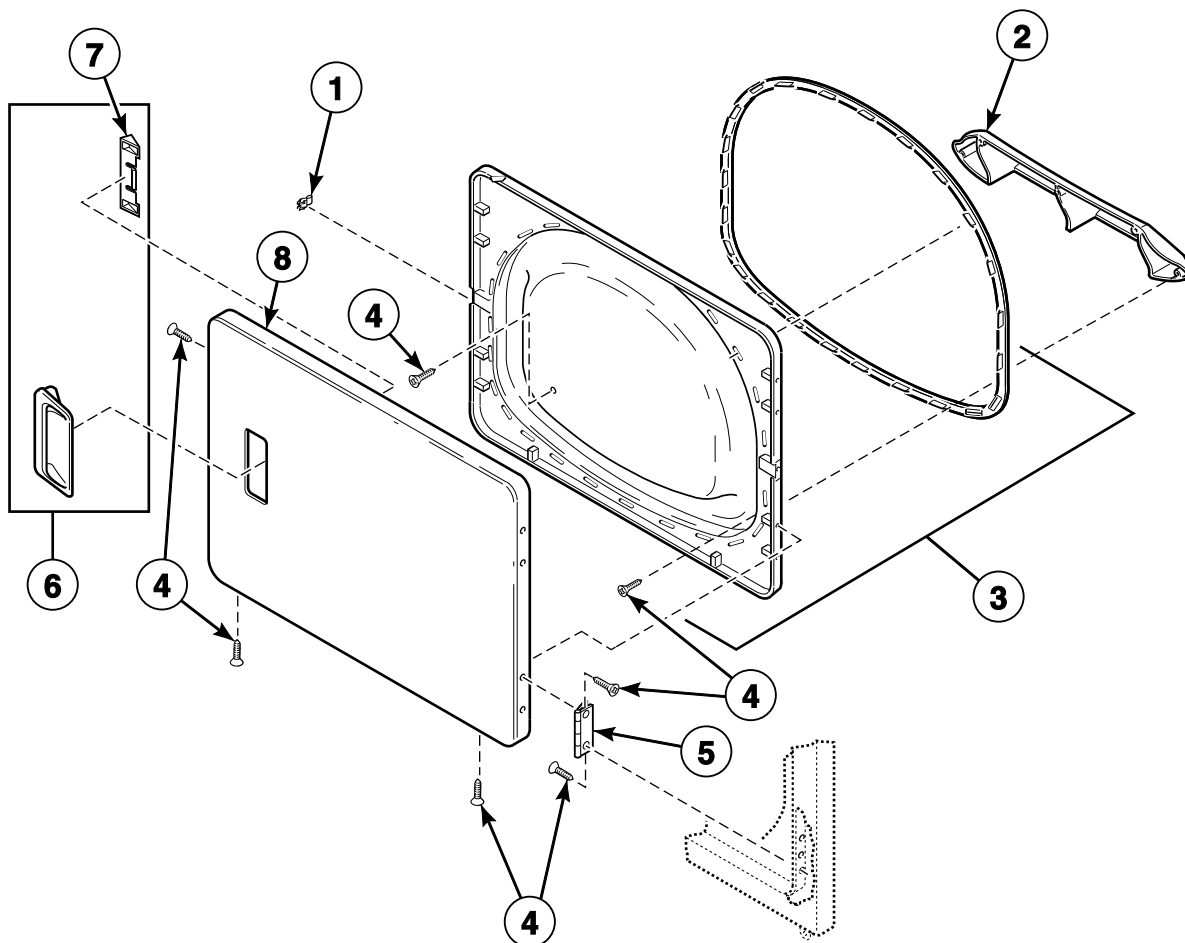
DRY2331P\_D518111

## Cabinet Top - 10 Degree Front Control Models

REF	PART NO.	DESCRIPTION	COMMENTS
1	36020	Nut	
2	803868WP	Top Panel	White
	803869	Top Panel	Stainless steel
	803868Q	Top Panel	Bisque
3	29651	Bolt	
4	804676	Hinge	Includes bracket
5	23008	Screw	

# Loading Door Without Window

All Models Except KDEBCACW173CN01, KDEBCACW173TN01, KDEBGACW173CN01, KDEBGACW173TN01, KDGBCACW113CN01, KDGBCACW113TN01, KDGBGACW113CN01 and KDGBGACW113TN01



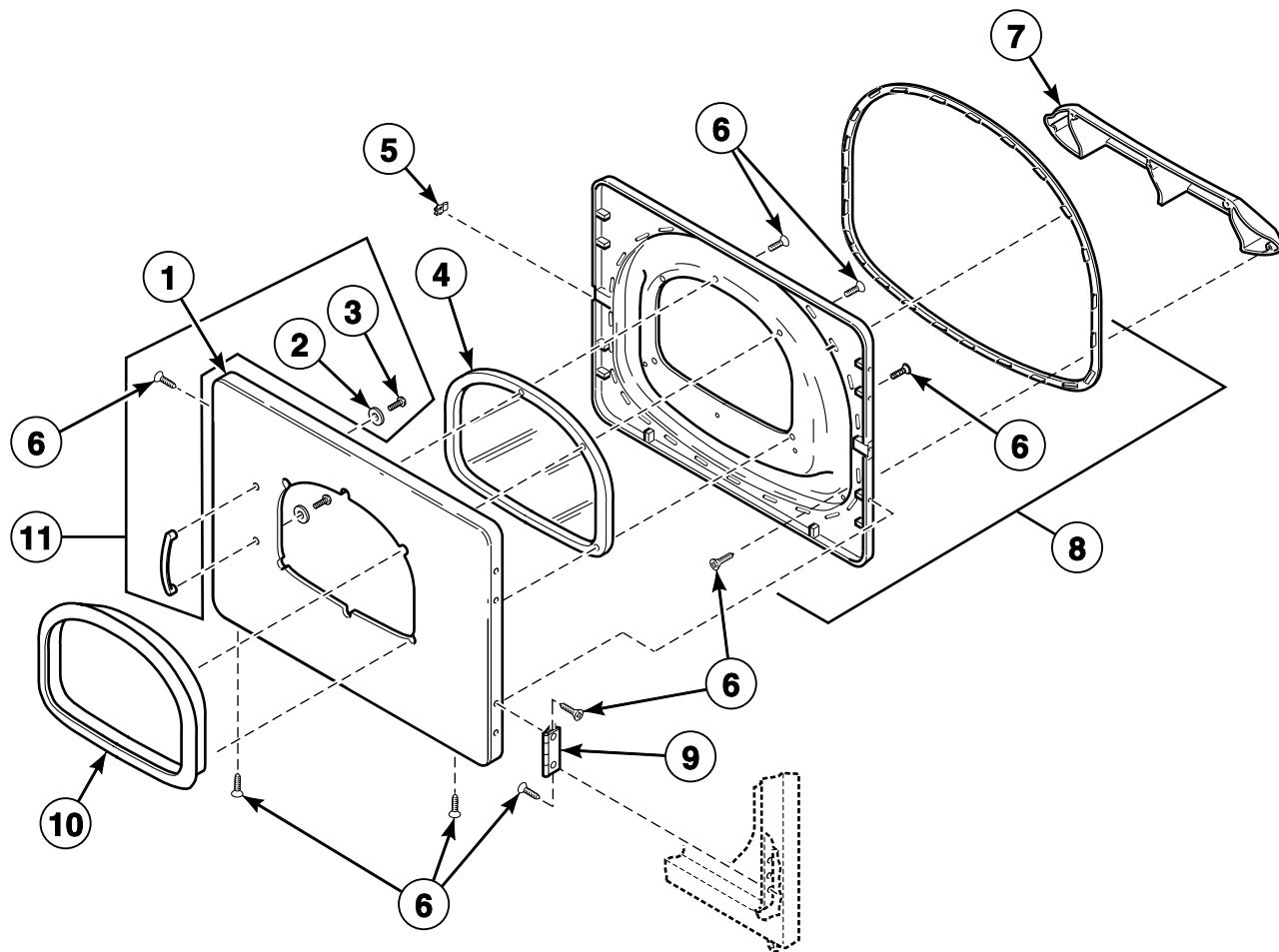
DRY2500P\_D518111

## Loading Door Without Window

REF	PART NO.	DESCRIPTION	COMMENTS
	D516510WP	Door Assembly	White; Includes items 1, 2 (D503870W), 3, 4, 5, 6 (D510103WP), 7 and 8 (D515960WP)
1	D510181	Door Strike	
2	D503870W	Door Liner Grill	White
	D503870LG	Door Liner Grill	Light gray
3	D516508	Door Liner Assembly	Includes door seal
4	D500226	Screw	
5	D511036	Hinge	
6	D510103WP	Door Pull and Wedge Kit	White; Includes item 7
	D512947	Door Pull	Gray; Includes item 7
	D510103QP	Door Pull and Wedge Kit	Bisque; Includes item 7
	D511213P	Door Pull and Wedge Kit	Black; Includes item 7
7	D510129W	Door Handle Wedge	
8	D515960WP	Dryer Door	White
	D518748	Dryer Door	Models KDEBGACS176TN01 and KDGBGACS116TN01

# Loading Door With Window

Models KDEBCACW173CN01, KDEBCACW173TN01, KDEBGACS176TN01, KDEBGACW173CN01, KDEBGACW173TN01, KDEBGACW176TN01, KDGBCACW113CN01, KDGBCACW113TN01, KDGBGACS116TN01, KDGBGACW113CN01, KDGBGACW113TN01 and KDGBGACW116TN01

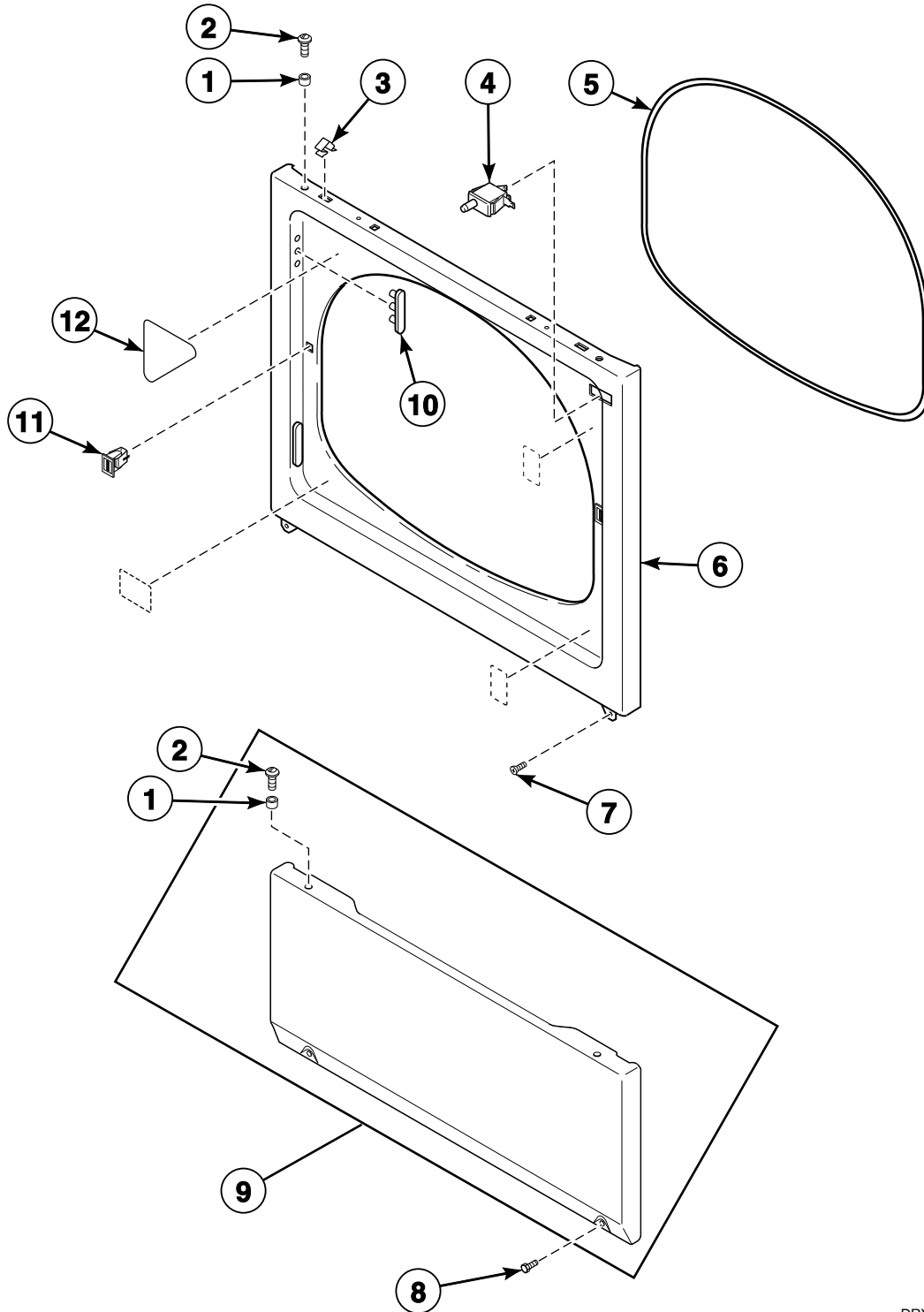


DRY2512P\_D518111

## Loading Door With Window

REF	PART NO.	DESCRIPTION	COMMENTS
1	D515962	Dryer Door	
2	29260	Washer	
3	D512631	Screw	
4	D515681	Dryer Door Window	
5	D510181	Door Strike	
6	D500226	Screw	
7	D503870LG	Door Liner Grill	
8	D516509	Liner and Seal Assembly	
9	D511036	Hinge	
10	D515959	Window Trim	Gray
11	D515656	Door Pull Kit	Includes items 2 and 3

# Access Panel, Front Panel and Seal

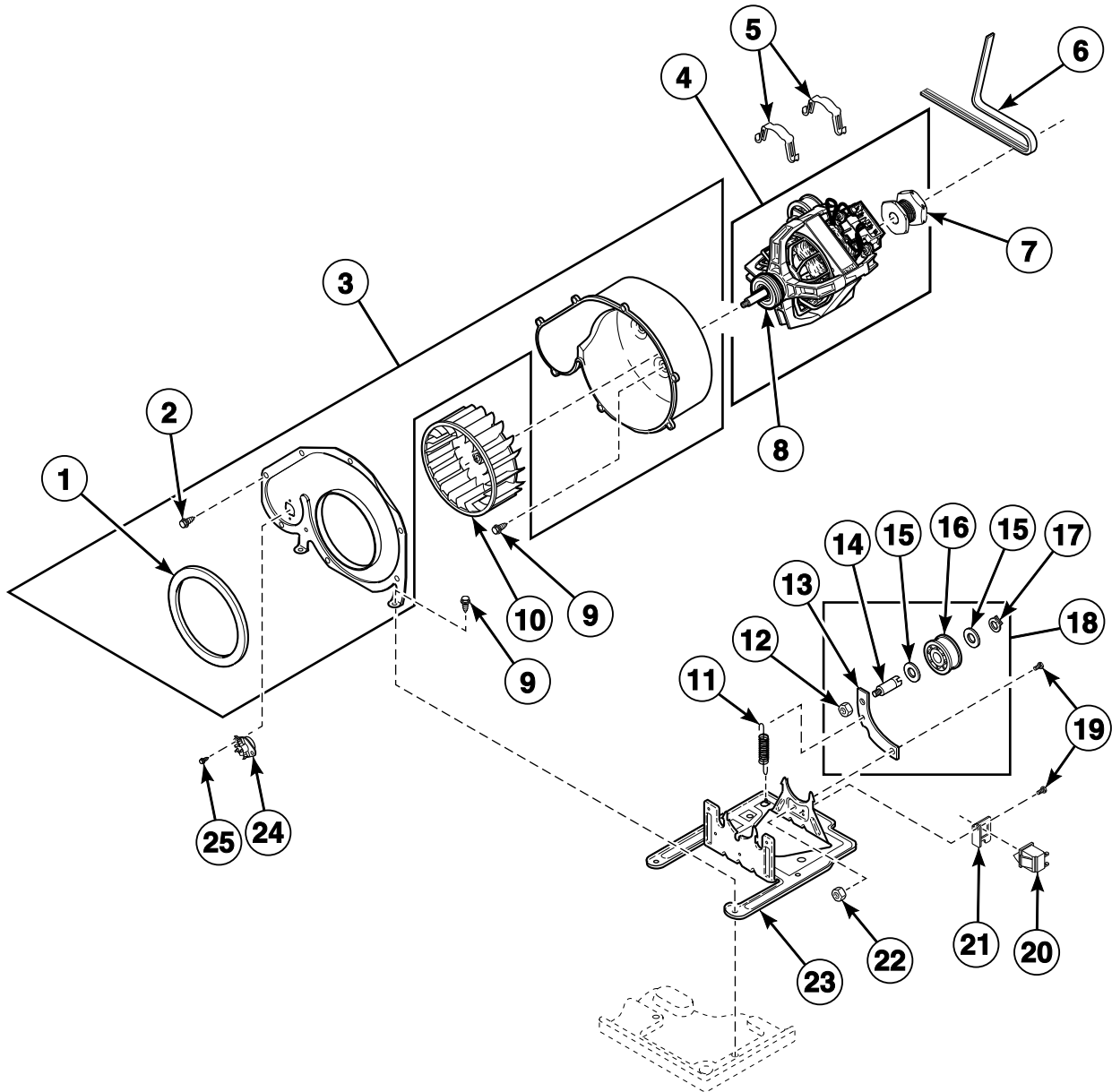


DRY1776P\_D518111

## Access Panel, Front Panel and Seal

REF	PART NO.	DESCRIPTION	COMMENTS
1	56079	Panel Locator	
2	39733	Screw	
3	28835	Speed Clip	
4	D512973	Switch	
5	D511056	Front Panel Seal	
6	D510066QP	Front Panel	Bisque
	D510066DG	Front Panel	Gray
	D510066WP	Front Panel	White
	D512542	Front Panel	Stainless steel
7	M405188	Screw	Use with stainless steel side panels
	D503688	Screw	Use with painted side panels
8	33562	Screw	
	62853	Screw	Optional for added security
9	D514250Q	Access Panel Assembly	Bisque
	D514250DG	Access Panel Assembly	Gray
	D514250WP	Access Panel Assembly	White
	D514251	Access Panel Assembly	Stainless steel
10	D510186	Hinge Hole Plug	
11	D510177	Door Catch Assembly	
12	D516512	Warning/Caution Label	English

# Motor, Exhaust Fan and Belt

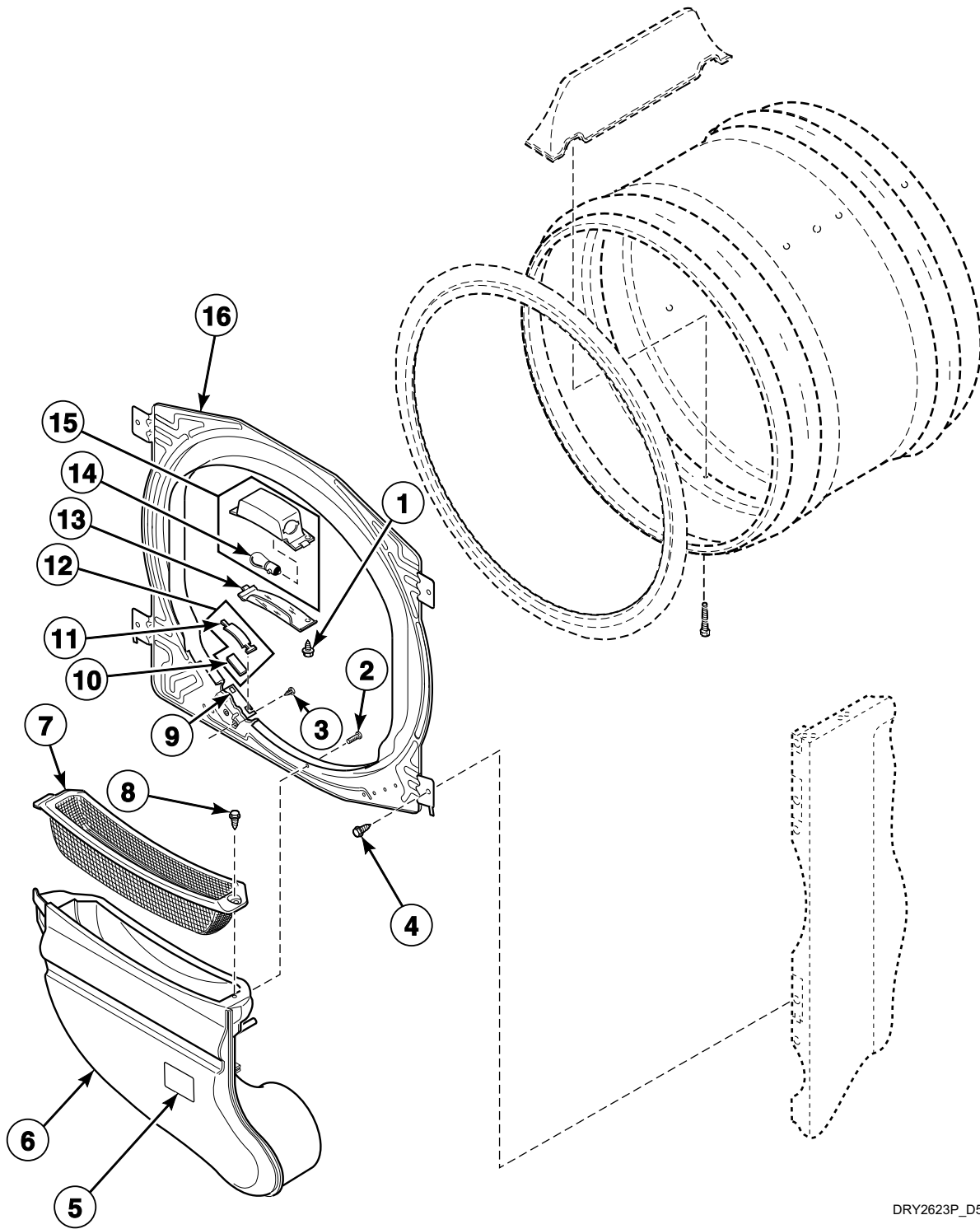


DRY2523P\_D518111

## Motor, Exhaust Fan and Belt

REF	PART NO.	DESCRIPTION	COMMENTS
	27604P	Anti-Seize Compound	Apply to motor shaft when installing blower fan assembly
	D519214	Dryer Maintenance Kit	Includes items 6 and 16, D510708P Cylinder Roller (two), D513710 Cylinder Glide (two) and D510189 Felt Pad (two)
1	D510238P	Blower Housing Seal	
2	31260	Screw	
3	D511969WP	Blower Housing	Includes items 1 and 2; White
4	D511629P	Motor and Pulley Assembly	120 Volt/60 Hertz; Apply anti-seize compound to motor shaft when installing blower fan assembly; Includes items 7 and 8
5	D510180	Motor Mount Clamp	
6	D511255P	Cylinder Belt	
7	D500011	Motor Pulley	
8	590P3	Motor Hub Ring Kit	
9	D503688	Screw	
10	D510139P	Blower Fan Assembly	Apply anti-seize compound to motor shaft when installing blower fan assembly
11	D510185	Idler Spring	
12	44087301	Nut	
13	D516310	Idler Lever	
14	56461P	Shaft	
15	52549	Washer	
16	D510142P	Idler Wheel and Bearing Assembly	
17	23748	Retaining Ring	
18	D516792	Idler Lever and Wheel Assembly	Includes items 12-17
19	D500824	Screw	
20	D516391	Switch	
21	D516311	Motor Switch Bracket	
22	52566	Nut	
23	D518517	Motor Mount	
24	D510523	Thermistor Assembly	Black
25	D502535	Screw	

# Front Bulkhead, Air Duct and Felt Seal

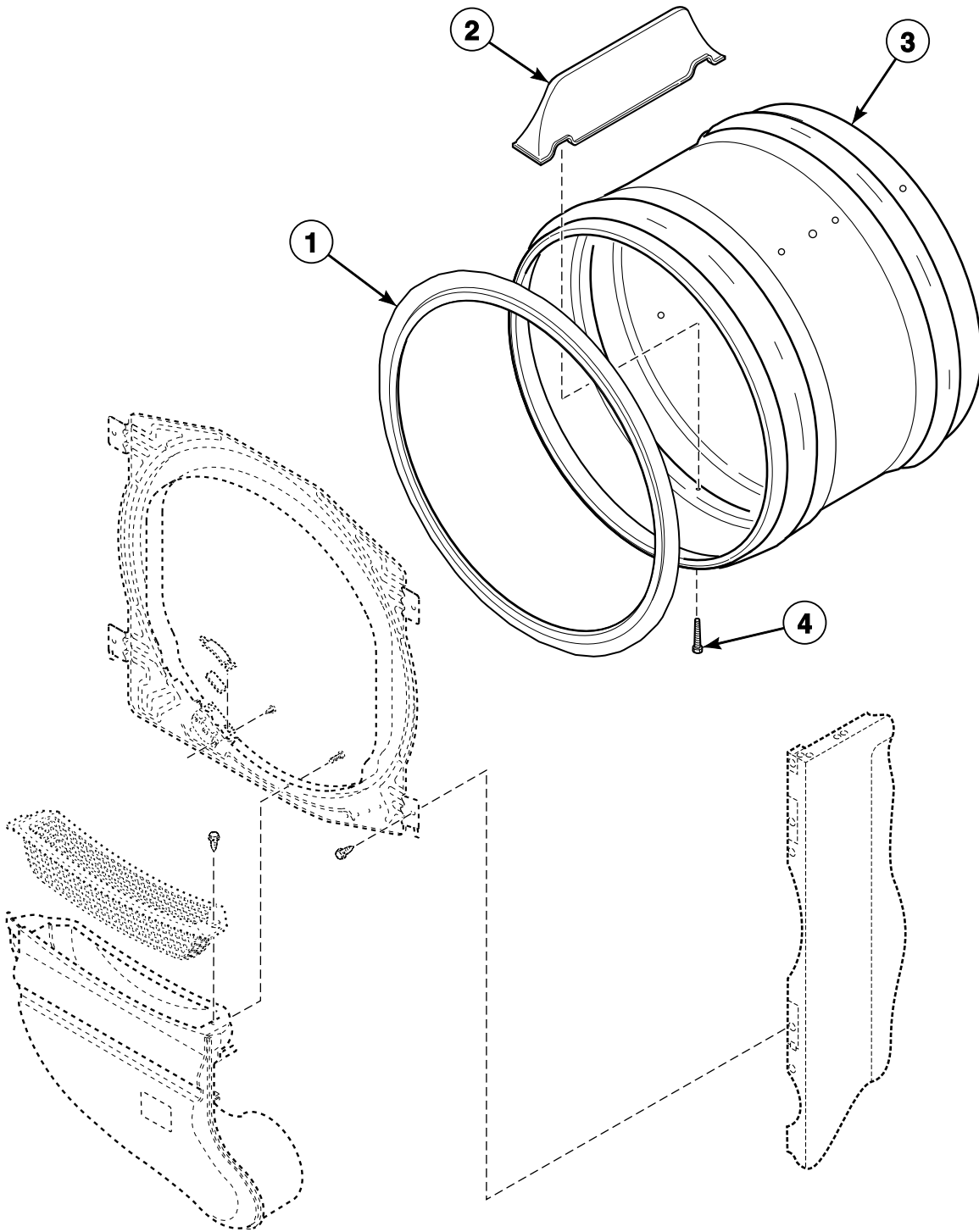


DRY2623P\_D518111

## Front Bulkhead, Air Duct and Felt Seal

REF	PART NO.	DESCRIPTION	COMMENTS
1	D500227	Screw	
2	D500226	Screw	
3	52864	Screw	
4	D503688	Screw	
5	F8211201	Electrical Shock Label	Icon
	F8615701	Pinch Warning Label	Icon
	D500314	Warning Label	English
6	D518433	Air Duct Assembly	
7	D503980DG	Lint Filter	Gray; Models KDEBCACW173CN01, KDEBCACW173TN01, KDEBGACS176TN01, KDEBGACW173CN01, KDEBGACW173TN01, KDEBGACW176TN01, KDGBCACW113CN01, KDGBCACW113TN01, KDGBGACS116TN01, KDGBGACW113CN01, KDGBGACW113TN01 and KDGBGACW116TN01
	D503980W	Lint Filter	White; All other models
8	D501285	Screw	
9	D510145	Cylinder Glide Bracket	
10	D510189	Felt Pad	
11	D513710	Cylinder Glide	
12	RB170003	Glide Kit	Includes items 10 and 11; Quantity: 2 of each item
13	D512106	Cylinder Light Lens	
14	D518795	Light Assembly	LED
15	D512108	Light Housing Assembly	Includes item 14
16	D510266P	Front Bulkhead Assembly	Unpainted; Includes D510207P Cylinder Seal Assembly and items 3 and 8-12; All other models
	D517572	Front Bulkhead Assembly	Model KDEBGACS176TN01

# Cylinder Assembly

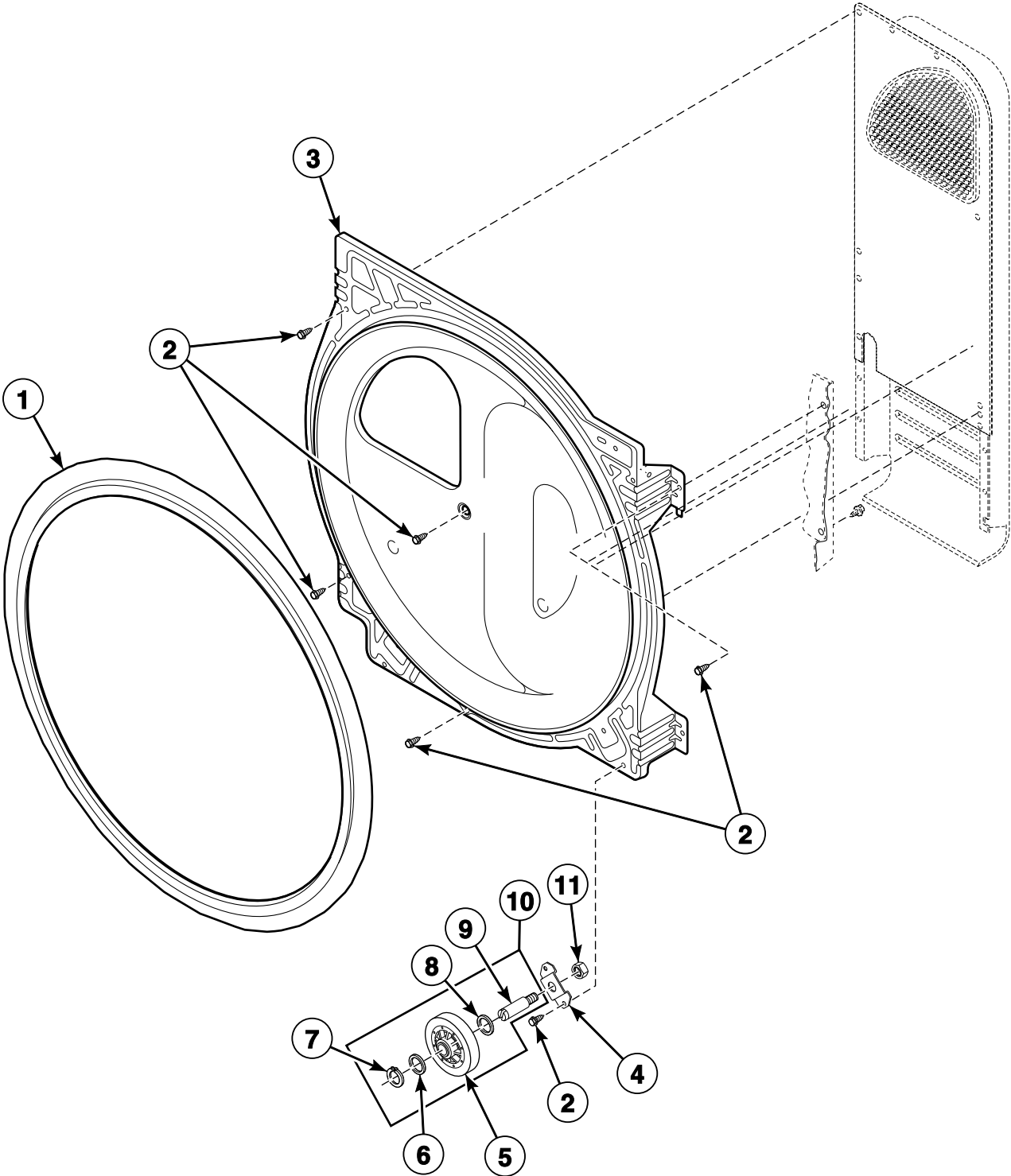


DRY1910PA\_D518111

# Cylinder Assembly

REF	PART NO.	DESCRIPTION	COMMENTS
1	D510207P	Cylinder Seal Assembly	Apply adhesive when installing
	D511637P	Adhesive	Apply to cylinder seal
	RB170001	Seal Kit	Includes 2 cylinder seals, blower housing seal and adhesive
2	D510102LG	Cylinder Baffle	Gray; Models KDEBCACW173CN01, KDEBCACW173TN01, KDEBGACS176TN01, KDEBGACW173CN01, KDEBGACW173TN01, KDEBGACW176TN01, KDGBCACW113CN01, KDGBCACW113TN01, KDGBGACS116TN01, KDGBGACW113CN01, KDGBGACW113TN01 and KDGBGACW116TN01
	D510102W	Cylinder Baffle	White; All other models
3	D510265LGP	Cylinder Assembly	Galvanized; Includes item 2; Models KDEBCACW173CN01, KDEBCACW173TN01, KDEBGACS176TN01, KDEBGACW173CN01, KDEBGACW173TN01, KDEBGACW176TN01, KDGBCACW113CN01, KDGBCACW113TN01, KDGBGACS116TN01, KDGBGACW113CN01, KDGBGACW113TN01 and KDGBGACW116TN01
	D510265WP	Cylinder Assembly	Galvanized; Includes item 2; All other models
4	62588	Screw	

# Rear Bulkhead, Felt Seal and Cylinder Roller



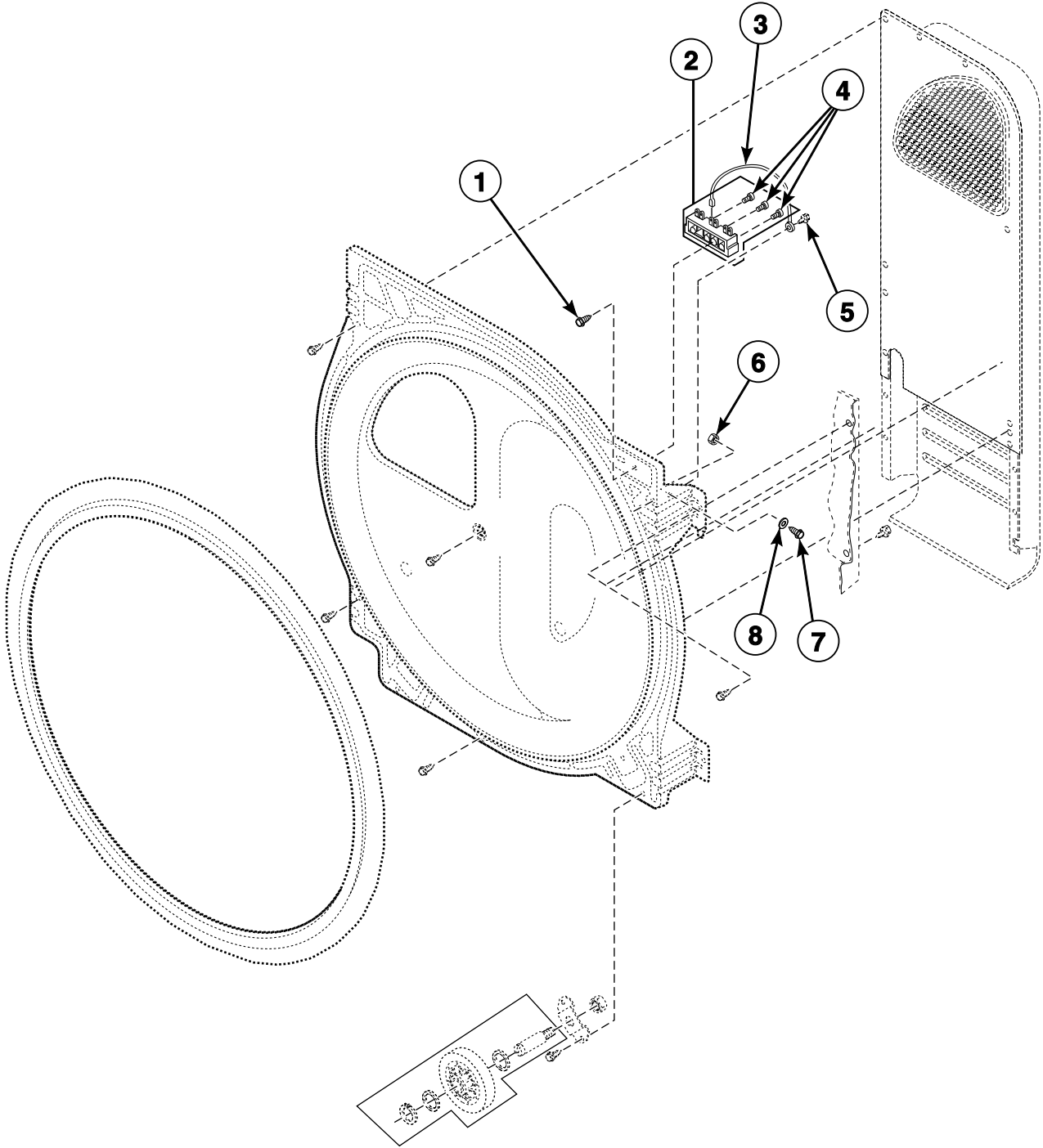
DRY2138P\_D518111

## Rear Bulkhead, Felt Seal and Cylinder Roller

REF	PART NO.	DESCRIPTION	COMMENTS
1	D510207P	Cylinder Seal Assembly	Apply adhesive when installing
	D511637P	Adhesive	Apply to cylinder seal
	RB170001	Seal Kit	Includes 2 cylinder seals, D510238P Blower Housing Seal and Adhesive
2	D503688	Screw	
3	D518128	Rear Bulkhead Assembly	Stainless steel; Models KDEBCACW173CN01, KDEBCACW173TN01, KDEBGACS176TN01, KDEBGACW173CN01, KDEBGACW173TN01, KDEBGACW176TN01, KDGBCACW113CN01, KDGBCACW113TN01, KDGBGACS116TN01, KDGBGACW113CN01, KDGBGACW113TN01 and KDGBGACW116TN01
	D511082P	Rear Bulkhead Assembly	Galvanized; Includes item 1; All other models
4	D510100	Cylinder Roller Bracket	
5	D510708P	Cylinder Roller	
6	52549	Washer	
7	23748	Retaining Ring	
8	D504082	Washer	
9	56461P	Shaft	
10	RB170002	Roller Kit	Includes items 5-9
11	44087301	Nut	

# Terminal Block

Electric Models

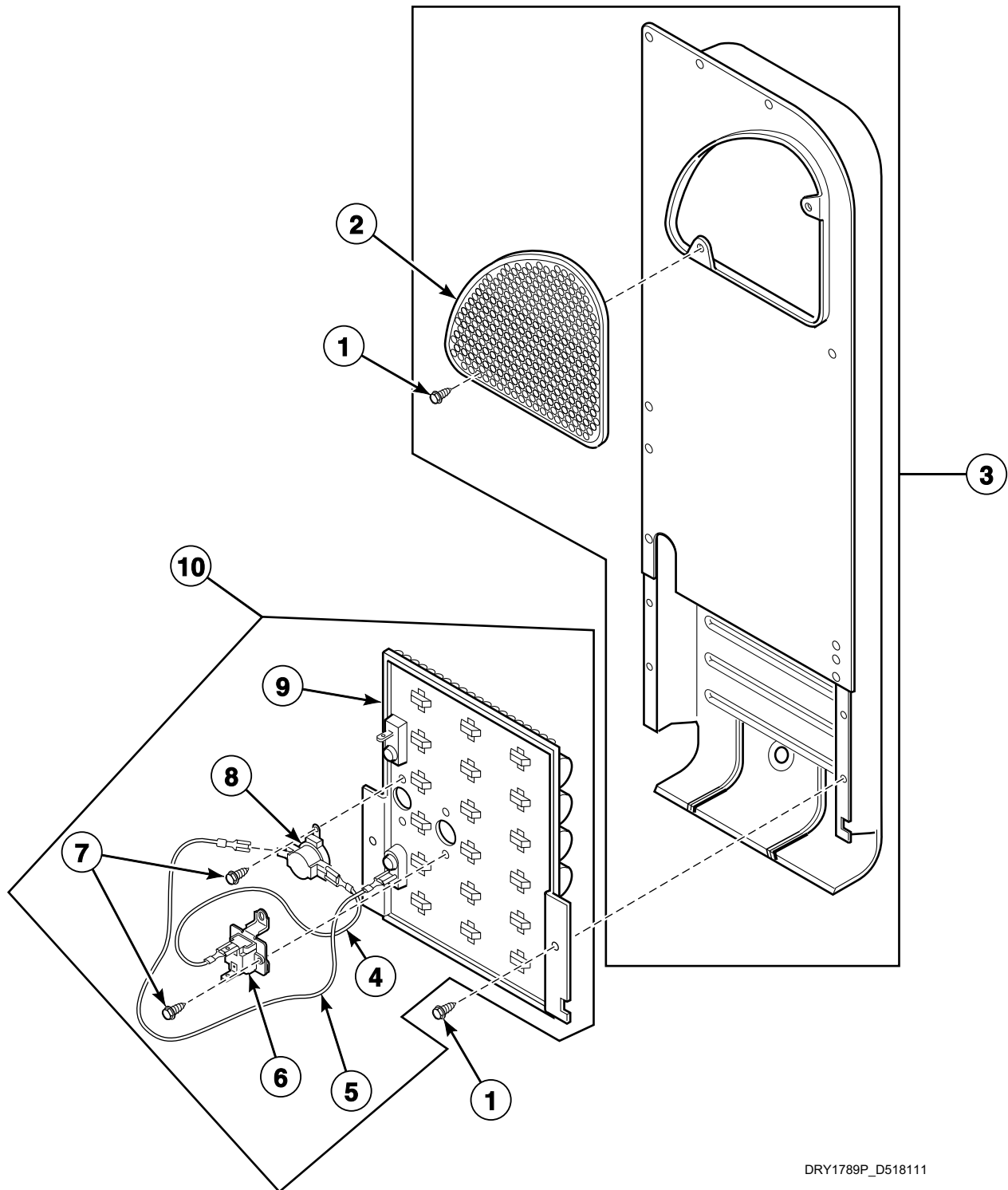


DRY2531P\_D518111

# Terminal Block

REF	PART NO.	DESCRIPTION	COMMENTS
1	D501285	Screw	
2	D510190P	Terminal Block Assembly	Includes 3 of item 4
3	D518257	Ground Wire Assembly	
4	61199	Screw	
5	D503688	Screw	
6	28447	Nut	
7	28448	Screw	
8	28449	Washer	

# Heater Duct and Element Assembly - Electric Models



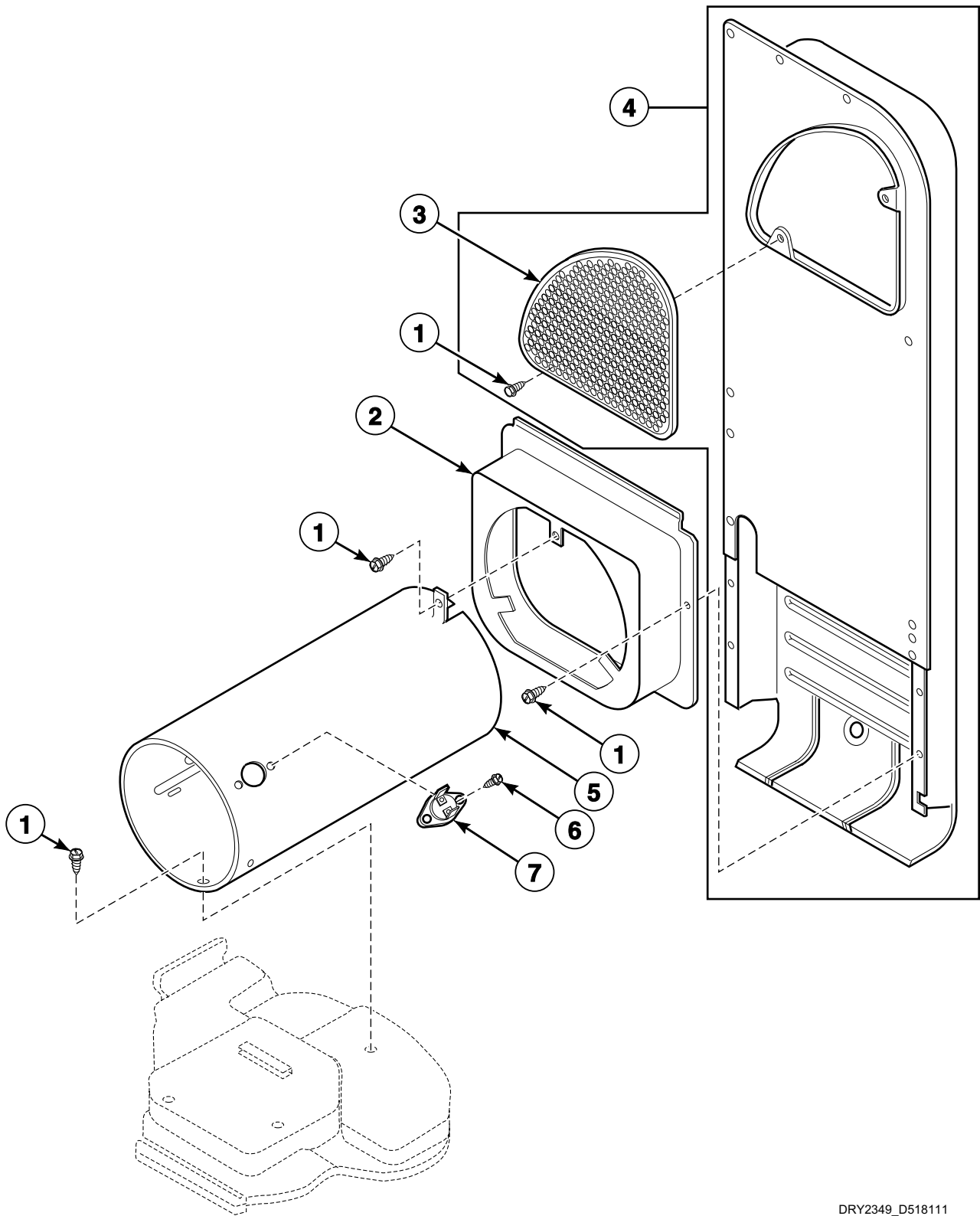
DRY1789P\_D518111

## Heater Duct and Element Assembly - Electric Models

REF	PART NO.	DESCRIPTION	COMMENTS
1	D503688	Screw	
2	D500820	Outlet Cover	
	D518524	Outlet Cover	Black
3	D510705P	Heater Duct Assembly	Includes items 1 and 2
4	D518256	Wire Assembly	Orange; Thermostat jumper; Attaches to heater assembly
5	D518255	Wire Assembly	Black; Fuse jumper; Attaches to heater assembly
6	D518649	Thermal Fuse Assembly	
7	23222	Screw	
8	D515873	Limit Thermostat	
9	D510325P	Heater	208 Volt/60 Hertz; 4.75 kW; Models SDEMNRGS153TW01 and SDESXRGS153TW01
	D510330P	Heater Assembly	208 Volt/60 Hertz; 4.25 kW; Models HDEBERGS153CW01, HDEBXRGS153CW01, HDEBYRGS153CW01 and HDESXRGS153CW01
	D510324P	Heater Assembly	240 Volt/60 Hertz; 5 kW; Models HDEBERGS173CW01, HDEBXAGS173CW01, HDEBXRGS173CW01, HDEBYAGS173CW01, HDEBYRGS173CW01, HDEBYRGS173TW01, HDEBYRGS176TW01, HDEMNRGS173CW01, HDESXRGS173CW01, KDEBCACW173CN01, KDEBGACW173CN01 and UDEMNRGS173CW01
	D510329P	Single Coil Heater Assembly	240 Volt/60 Hertz; 5.35 kW; All other models
10	61927	Heater Kit Assembly	240 Volt/60 Hertz; 5 kW; Includes items 4-9; Models HDEBERGS173CW01, HDEBXAGS173CW01, HDEBXRGS173CW01, HDEBYAGS173CW01, HDEBYRGS173CW01, HDEBYRGS173TW01, HDEBYRGS176TW01, HDEMNRGS173CW01, HDESXRGS173CW01, KDEBCACW173CN01, KDEBGACW173CN01, KDEBXRGS175TW01, KDEBXRGS176TW01, KDEBYRGS176TW01 and UDEMNRGS173CW01
	61928	Heater Kit Assembly	208 Volt/60 Hertz; 4.75 kW; Models SDEMNRGS153TW01 and SDESXRGS153TW01
	965P3	Heater Kit	208 Volt/60 Hertz; 4.25 kW; Includes items 4-9; Models HDEBERGS153CW01, HDEBXRGS153CW01, HDEBYRGS153CW01 and HDESXRGS153CW01
	964P3	Heater Kit	240 Volt/60 Hertz; 5.35 kW; Includes factory installed heater; All other models
	61928	Heater Kit Assembly	208 Volt/60 Hertz; 4.75 kW; Optional conversion; All other models

# Heater Duct Assembly

Gas Models



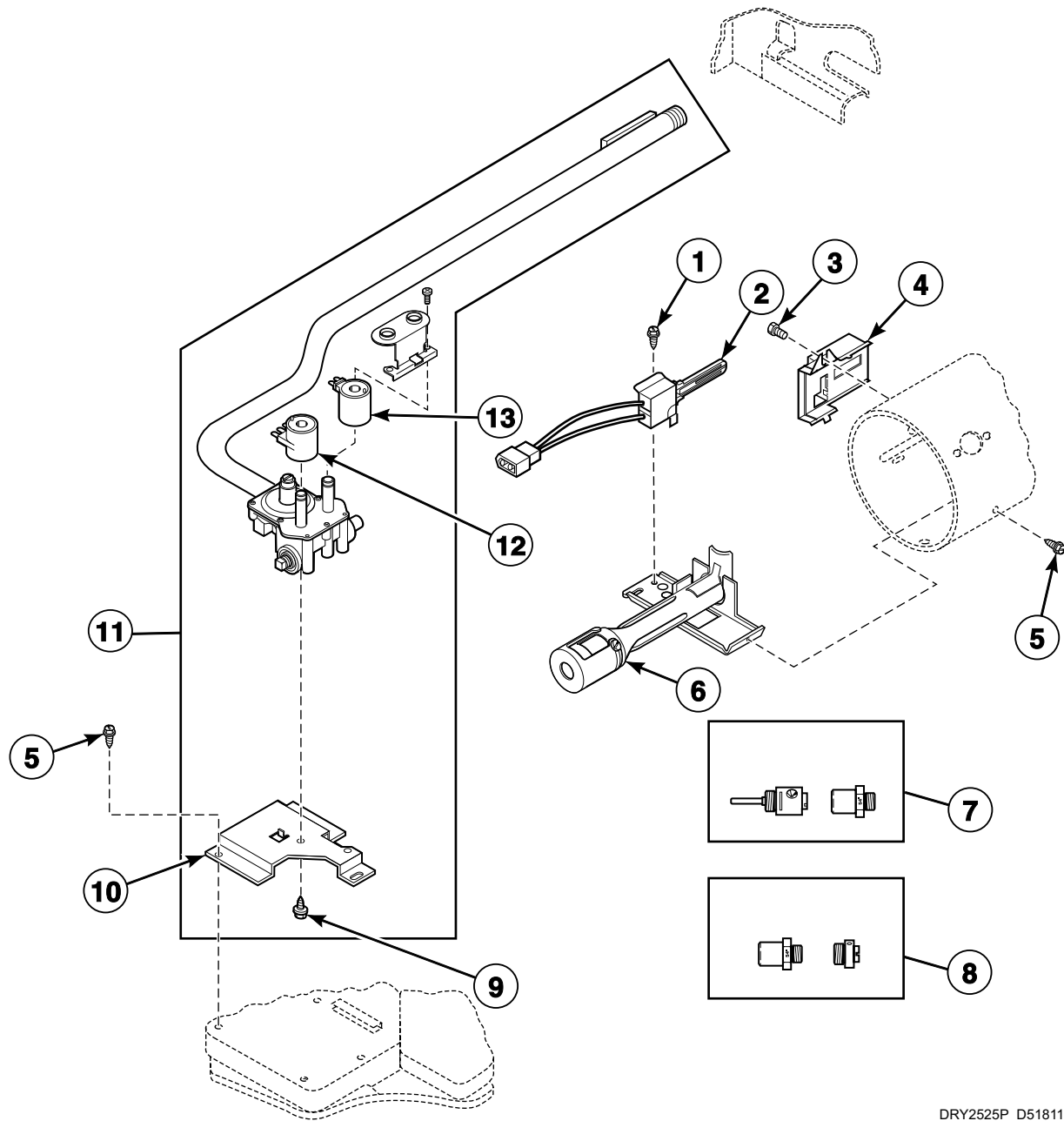
DRY2349\_D518111

## Heater Duct Assembly

REF	PART NO.	DESCRIPTION	COMMENTS
1	D503688	Screw	
2	D510101	Heat Duct Shroud	
3	D500820	Outlet Cover	
	D518524	Outlet Cover	Black
4	D510705P	Heater Duct Assembly	Includes items 1 and 3
5	D510131	Combustion Duct	
6	51782	Screw	
7	D510702	Limit Thermostat	Black; Auto reset

# Gas Valve, Igniter and Gas Conversion Kits

Gas Models



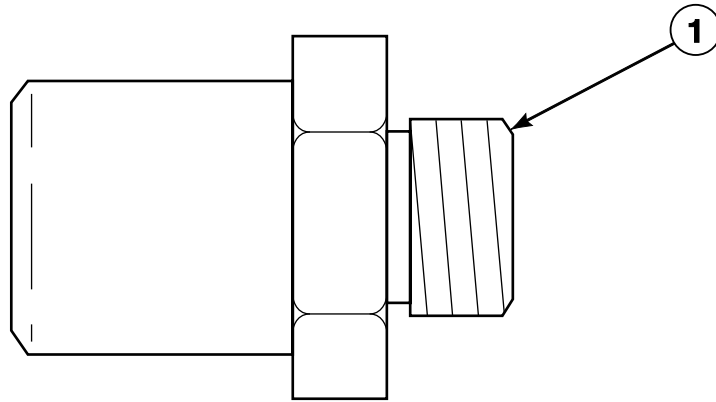
DRY2525P\_D518111

## Gas Valve, Igniter and Gas Conversion Kits

REF	PART NO.	DESCRIPTION	COMMENTS
1	51782	Screw	
2	D510184P	Igniter and Bracket Assembly	
3	23222	Screw	
4	D510213	Sensor	
5	D503688	Screw	
6	D510149P	Burner Assembly	
7	458P3	L.P. Conversion Kit	Used to convert dryers from Natural Gas (N.G.) or Mixed Gas to Liquid Petroleum Gas (L.P.) for 25,000 Btu
8	459P3	N.G. Conversion Kit	Used to convert dryers from L.P. to N.G. or Mixed Gas for 25,000 Btu
9	56124	Screw	
10	D510128	Gas Valve Mounting Bracket	
11	D517606	Gas Valve, Bracket and Pipe Assembly	60 Hertz; 25,000 Btu; N.G.; Includes items 9-13
12	58804A	Booster and Holding Coil	60 Hertz
13	58804B	Secondary Coil	60 Hertz

# Burner Orifice Spuds - For Higher Elevations

Gas Models

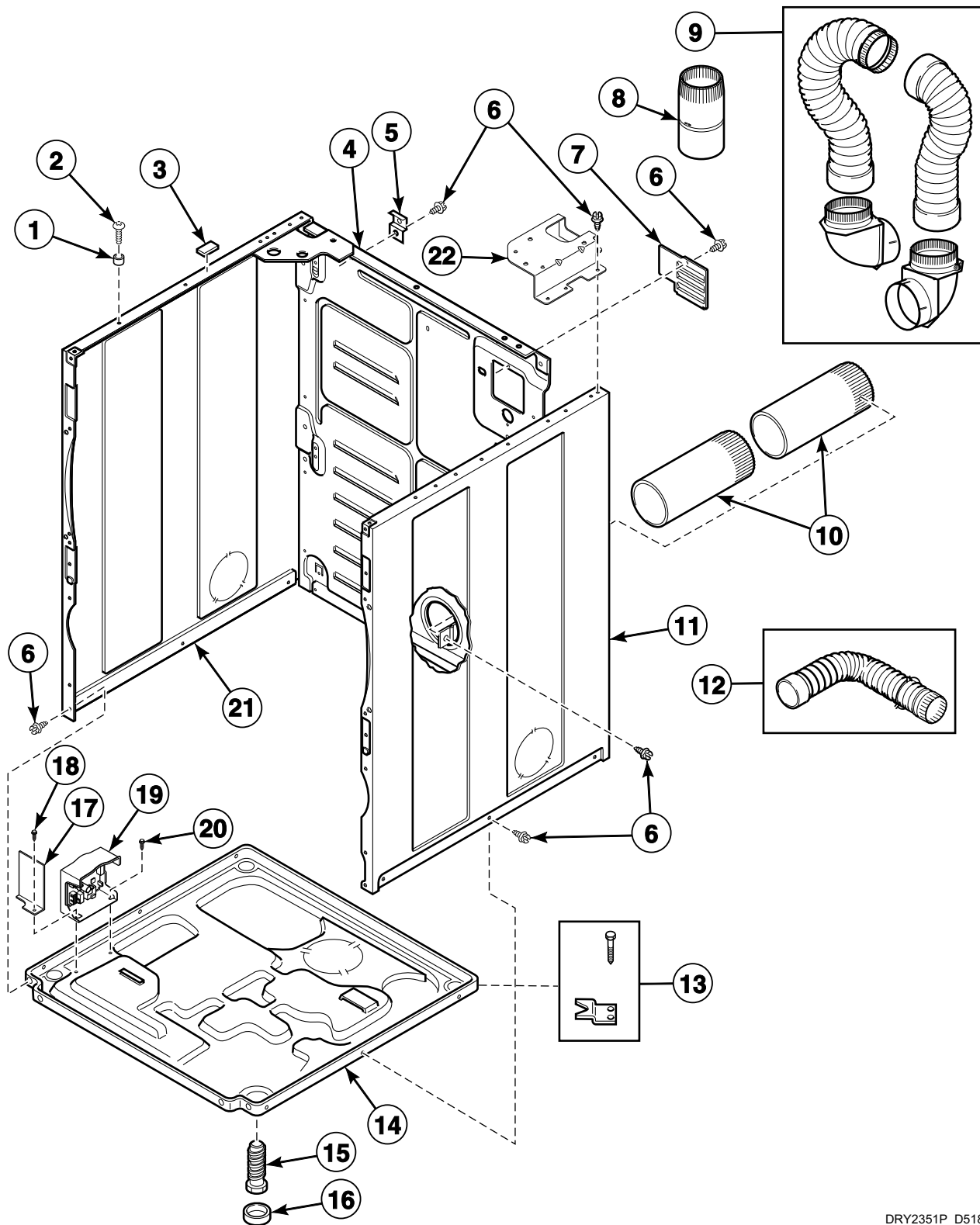


DRY2266P\_D518111

## Burner Orifice Spuds - For Higher Elevations

REF	PART NO.	DESCRIPTION	COMMENTS
1	58755	L.P. Orifice	25,000 Btu; 7500-10,999 feet (2290-3354 m)
	D503786	L.P. Orifice	25,000 Btu; 11,000 feet (3355 m) and higher
	D503776	N.G. Orifice	25,000 Btu; 2000-2999 feet (610-914 m)
	D510517	N.G. Orifice	25,000 Btu; 3000-5499 feet (915-1679 m)
	D503778	N.G. Orifice	25,000 Btu; 5500-6999 feet (1680-2134 m)
	58719	Screw Orifice	25,000 Btu; 7000-8999 feet (2135-2744 m)
	D503779	N.G. Orifice	25,000 Btu; 9000-10,499 feet (2745-3199 m)
	D503780	N.G. Orifice	25,000 Btu; 10,500 feet (3200 m) and higher

# Cabinet, Exhaust Duct and Base

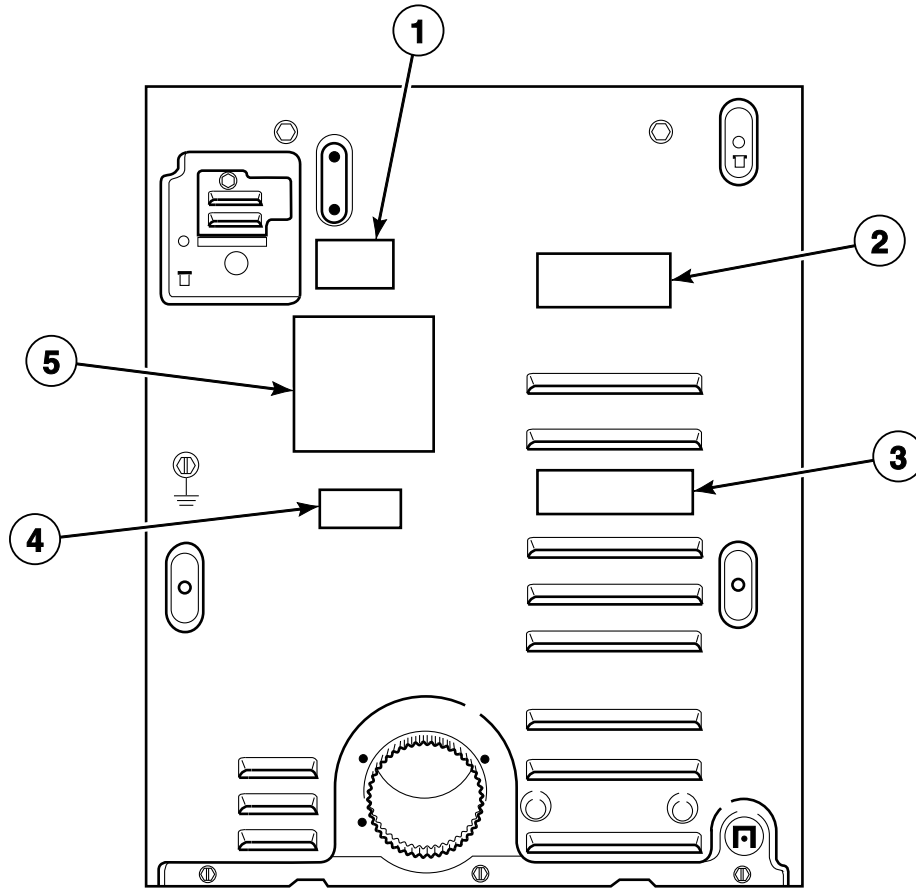


DRY2351P\_D518111

## Cabinet, Exhaust Duct and Base

REF	PART NO.	DESCRIPTION	COMMENTS
	122P4P	Porcelain Touch-Up Paint	White
1	56079	Panel Locator	
2	D512921	Screw	Use with stainless steel side panels
	39733	Screw	Use with painted side panels
3	56128	Bumper Pad	
4	D517566	Cabinet Rear Panel	
5	D510136	Top Hinge	
6	D503688	Screw	
7	D510903	Access Panel Plate	
8	58786	Damper	Use when connecting to a manifold vent system
9	521P3	Flexible Venting Kit	
10	D516196	Exhaust Duct	
11	D510002QP	Cabinet Side Panel	Bisque; Right
	D510002DGP	Cabinet Side Panel	Gray; Right
	D510002WP	Cabinet Side Panel	White; Right
	D512539	Cabinet Side Panel	Stainless Steel; Right
12	528P3	Directional Exhaust Kit	Used to vent dryer out the sides or bottom
13	526P3	Hold Down Kit	For mobile home installations
14	D514245	Dryer Base	
15	D510135	Leveling Leg	
16	D501855	Rubber Foot	
17	D514420	Output Board Shield	
18	D514428	Screw	
19	D517191P	Output Control Assembly	
20	804667	Screw	
21	D510001QP	Cabinet Side Panel	Bisque; Left
	D510001DGP	Cabinet Side Panel	Gray; Left
	D510001WP	Cabinet Side Panel	White; Left
	D512538	Cabinet Side Panel	Stainless Steel; Left
22	547P3	Coin Cabinet Hardware Kit	

# Label Location on Rear of Cabinet

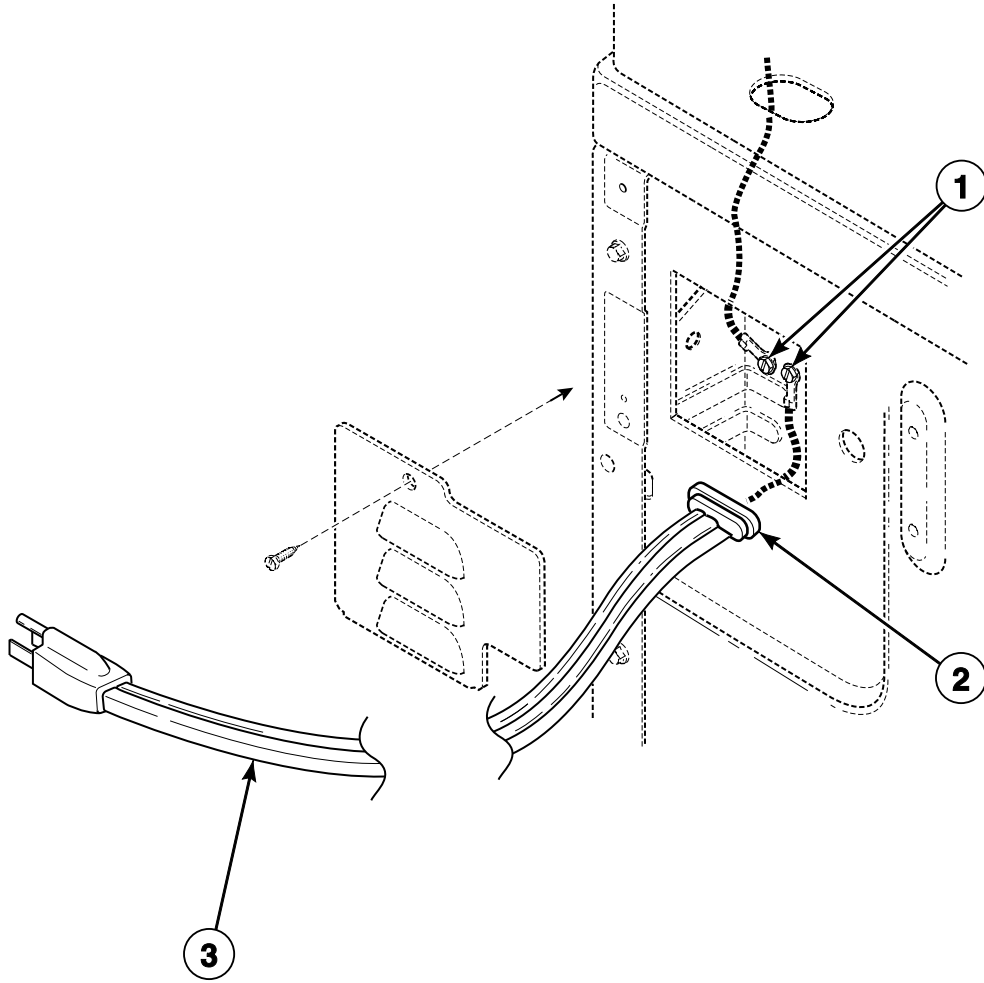


DRY2374P\_D518111

## Label Location on Rear of Cabinet

REF	PART NO.	DESCRIPTION	COMMENTS
1	803260	Warning Label	
2	D502791	Venting Instruction Label	
3	62104	Voltage Warning Label	208 Volt
	D505215	Gas Label	
4	D500497	Exhaust Warning Label	
5	D505894	Electric Clearance Label	Models HDEBERGS153CW01, HDEBERGS173CW01, HDEBXAGS173CW01, HDEBXRGS153CW01, HDEBXRGS173CW01, HDEBYAGS173CW01, HDEBYRGS153CW01, HDEBYRGS173CW01, HDEMNRGS173CW01, HDESXRGS153CW01, HDESXRGS173CW01, KDEBCACW173CN01, KDEBGACW173CN01 and UDEMNRGS173CW01
	D511005	Electric Clearance Label	Models HDEBCAGS173TW01, HDEBCAGS176TW01, HDEBCRGS173TW01, HDEBCRGS176TW01, HDEBYRGS173TW01, HDEBYRGS176TW01, HDESXRGS173TW01, KDEBCACW173TN01, KDEBGACS176TN01, KDEBGACW173TN01, KDEBGACW176TN01, KDEBXRGS175TW01, KDEBXRGS176TW01, KDEBYRGS176TW01, KDEMNRGS173TW01, SDEMNRGS153TW01, SDEMNRGS173TW01, SDESXRGS153TW01 and SDESXRGS173TW01
	D511004	Gas Clearance Label	Gas models

# Power Cord

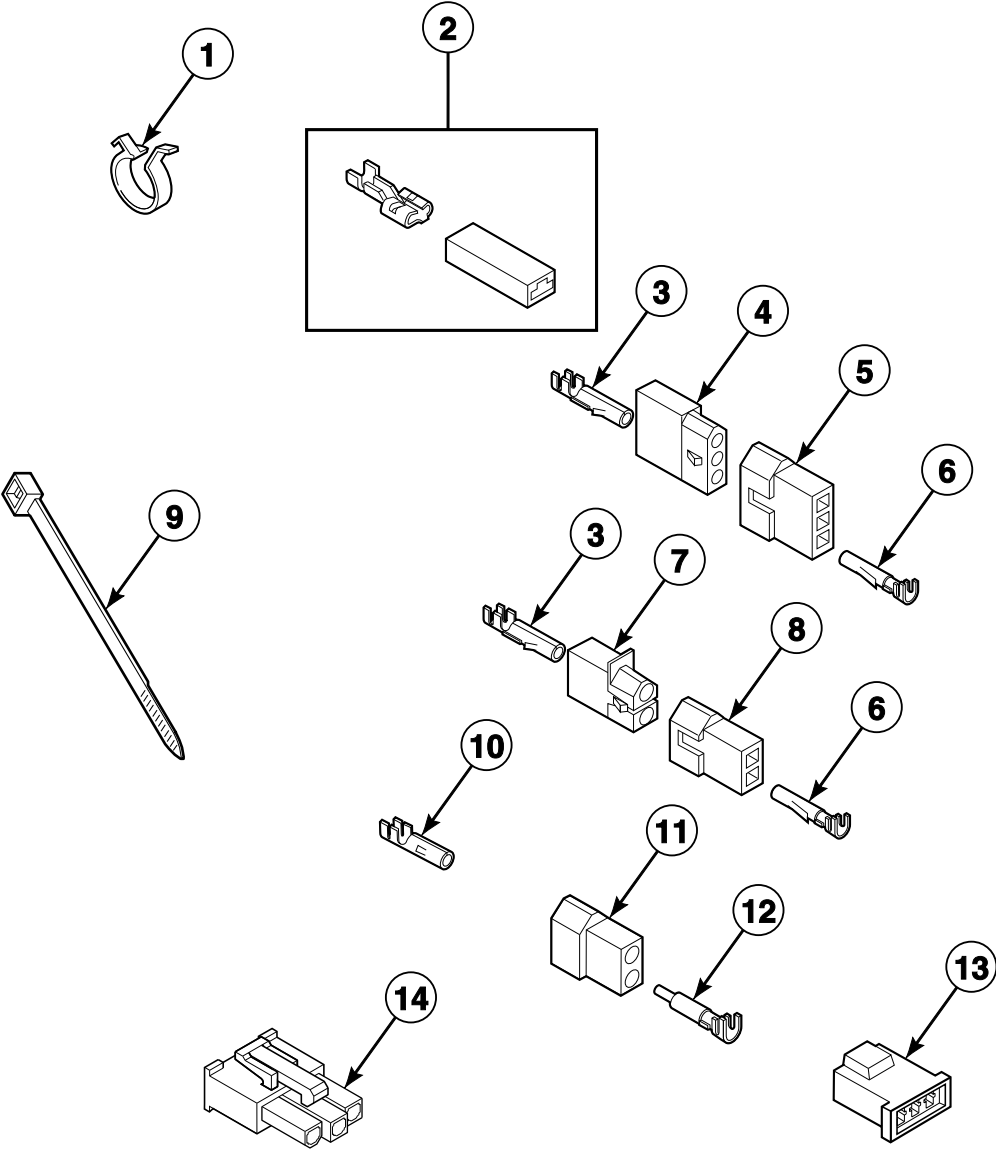


DRY1879P\_D518111

# Power Cord

REF	PART NO.	DESCRIPTION	COMMENTS
1	20530	Screw	
2	D517490	Strain Relief	
3	D510505P	Lead-In Cord Assembly	Electric models
	D518387	Lead-In Cord	Gas models

# Terminal Block and Terminals

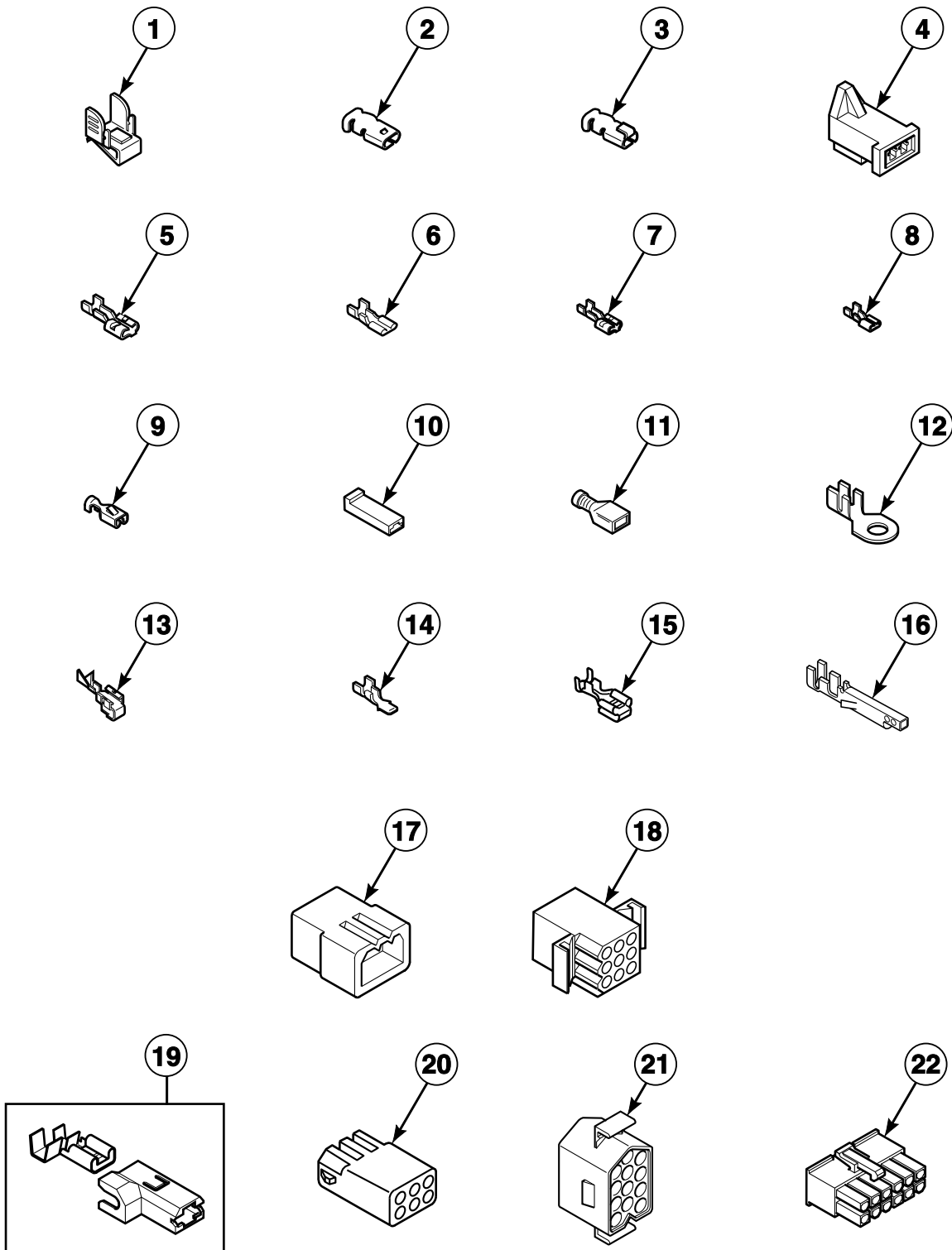


DRY2064P\_D518111

## Terminal Block and Terminals

REF	PART NO.	DESCRIPTION	COMMENTS
1	D504034	Wire Clip	11/16 inch
	687500	Wire Clip	1 inch
2	00360	Insulated Female Spade Terminal	(1) 12 gauge wire or (2) 18 gauge wires
3	00117	Female Pin Terminal	
4	23039	3 Circuit Receptacle	
	56265	2 Circuit Receptacle	
5	23040	Plug	3 circuit
6	00116	Male Pin Terminal	
7	56451	2 Circuit Receptacle	
8	56448	2 Circuit Plug	
9	55881	Harness Strap	
10	00130	Female Pin Terminal	1/8 inch; 16-18 gauge wire
	00128	Female Pin Terminal	1/8 inch; 10-14 gauge wire
11	56266	2 Circuit Plug	
12	00127	Male Pin Terminal	0.18 insulation diameter
	00129	Male Pin Terminal	0.12 insulation diameter
13	58800	3 Circuit Connector	
14	36170	3 Circuit Receptacle	

# Terminals

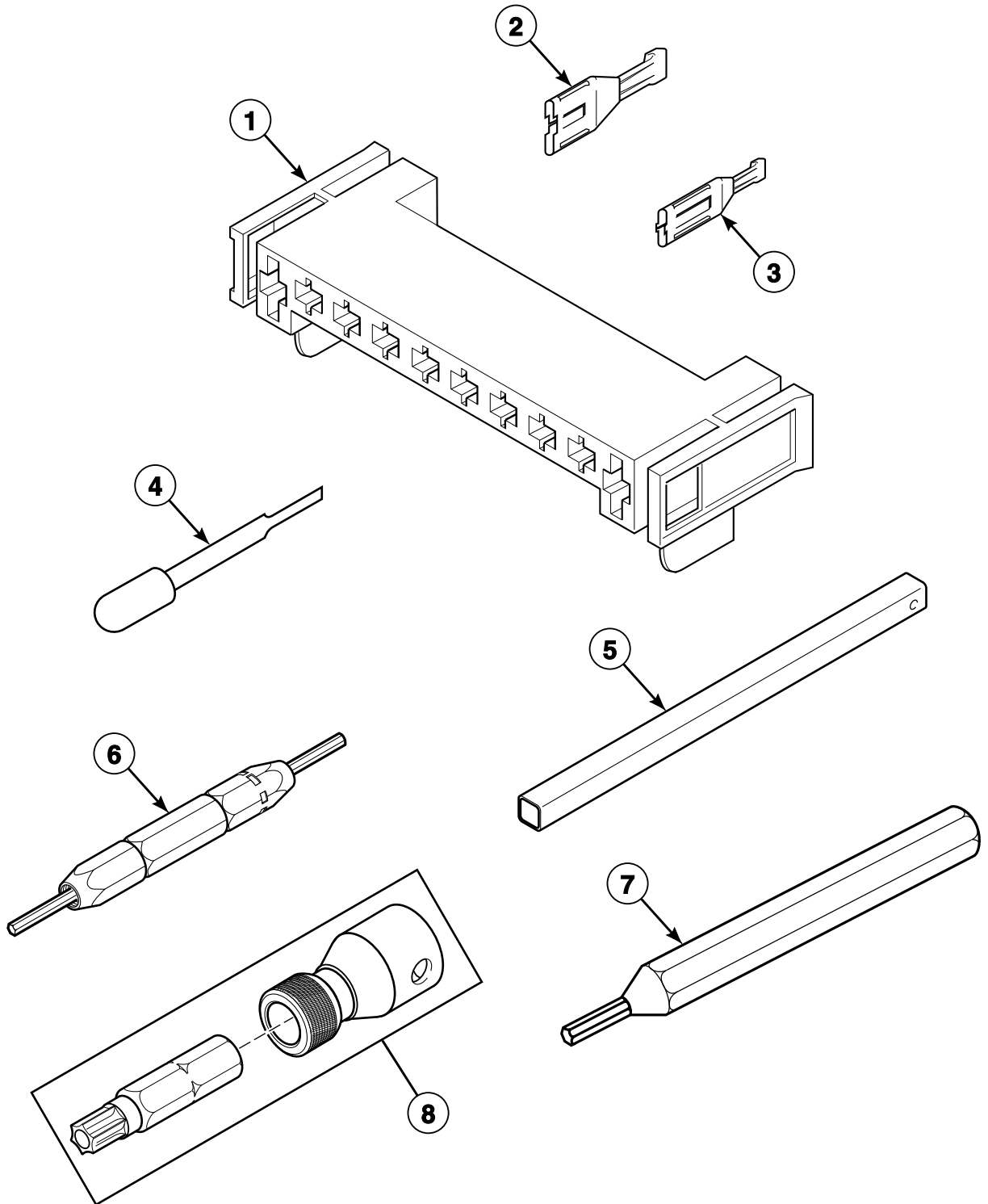


DRY2343P\_D518111

# Terminals

REF	PART NO.	DESCRIPTION	COMMENTS
1	00161	Grounding Clip	
2	00189	Female Spade Terminal	
3	00361	Female Piggyback Terminal	
4	58799	2 Circuit Connector	
5	00223	Female Spade Terminal	1/4 inch; (1) 18 gauge wire
	00121	Female Spade Terminal	1/4 inch; (2) 18 gauge wires or (1) 12 gauge wire
	00245	Spade Terminal	1/4 inch; (1) 22 gauge wire
6	00124	Female Spade Terminal	3/16 inch; (1) 18 gauge wire; .020 tab
	00156	Female Spade Terminal	3/16 inch; Thermostat wire; .032 tab
7	00222	Female Spade Terminal	1/4 inch
8	00347	Terminal	
9	00115	Female Spade Terminal	1/4 inch; (1) 18 gauge wire
10	90789	Receptacle Housing	
11	00359	Insulated Female Spade Terminal	1/4 inch
	00165	Insulated Female Terminal	3/16 inch
12	00110	Ring Terminal	(1) 18 gauge wire
	00111	Ring Terminal	(2) 18 gauge wires or (1) 12 gauge wire
	00319	Ring Terminal	(2) 18 gauge wires or (1) 14 gauge wire
13	00114	Female Spade Terminal	1/4 inch; Double connector
14	00139	Male Tab Terminal	1/4 inch; (2) 18 gauge wires or (1) 12 gauge wire
15	00344	Female Tab Terminal	
16	00252	Terminal	
17	44370401	1 Circuit Plug Housing	
	23033	9 Circuit Plug	
	23041	6 Circuit Plug	
18	26163	9 Circuit Receptacle	
	56855	12 Circuit Receptacle	
19	00221	Insulated Female Flag Terminal	1/4 inch
20	26708	6 Circuit Receptacle	
	26301	1 Circuit Receptacle	
21	54522	Plug	
22	D501333	12 Circuit Receptacle	
	34596	10 Circuit Receptacle	

# Motor Connection Block and Tools



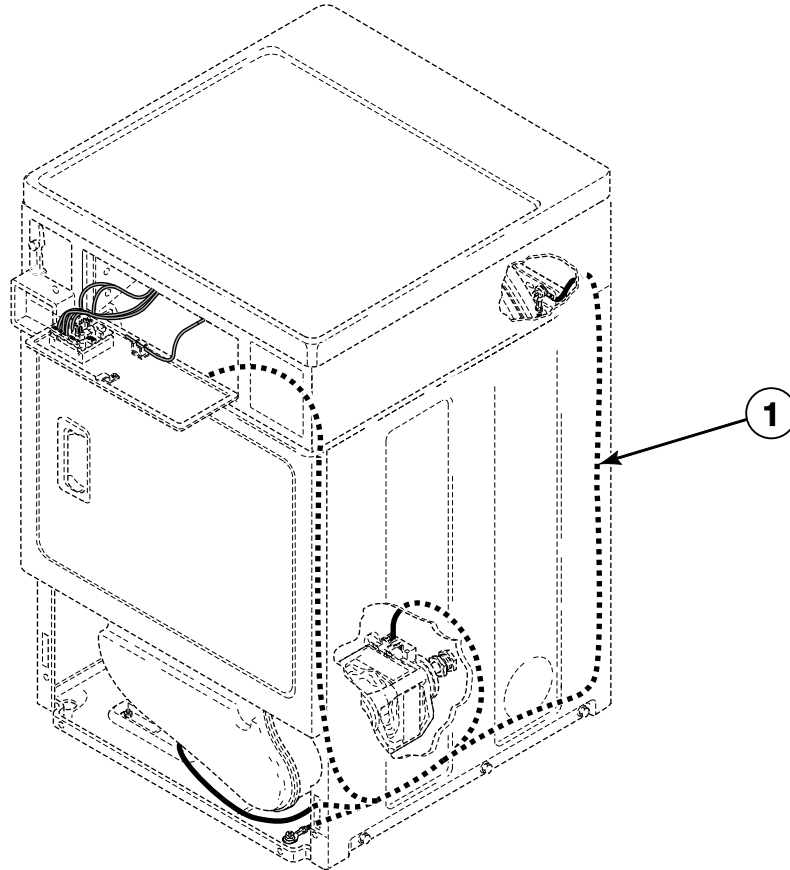
DRY2066P\_D518111

## Motor Connection Block and Tools

REF	PART NO.	DESCRIPTION	COMMENTS
1	D500338	10 Position Housing	
2	00255	Female Terminal	1/4 inch; For (1) 12 gauge wire
	00256	Female Terminal	1/4 inch; For (1) or (2) 18 gauge wires
3	00188	Female Terminal	For 1 or 2 wire application
4	283P4	Terminal Extractor Tool	For use on Molex connectors
5	310P4	Ratchet Extension Tool	1/4 inch; For coin drop installation
6	190P4	Extractor Tool	For use on electric dryer terminals; Electric models
7	128P4	Extractor Tool	For use on gas dryer terminals; Gas models
8	281P4	Torx Bit	T15 Tamper Resistant Bit
	282P4	Torx Bit	Use with 62853 Screw on access panel; T25 Tamper Resistant Bit
	292P4	Torx Bit	T20 Standard Bit
	93501	Torx Drive Tool	T10 Standard Bit

## Wire Harnesses and Wires - Front Control Models

Models HDEBCAGS173TW01, HDEBCAGS176TW01, HDEBXAGS173CW01, HDEBYAGS173CW01, HDGBCAGS113TW01, HDGBCAGS116TW01, HDGBXAGS113CW01, HDGBYAGS113CW01, KDEBCACW173CN01, KDEBCACW173TN01, KDEBGACS176TN01, KDEBGACW173CN01, KDEBGACW173TN01, KDEBGACW176TN01, KDGBCACW113CN01, KDGBCACW113TN01, KDGBGACS116TN01, KDGBGACW113CN01, KDGBGACW113TN01 and KDGBGACW116TN01



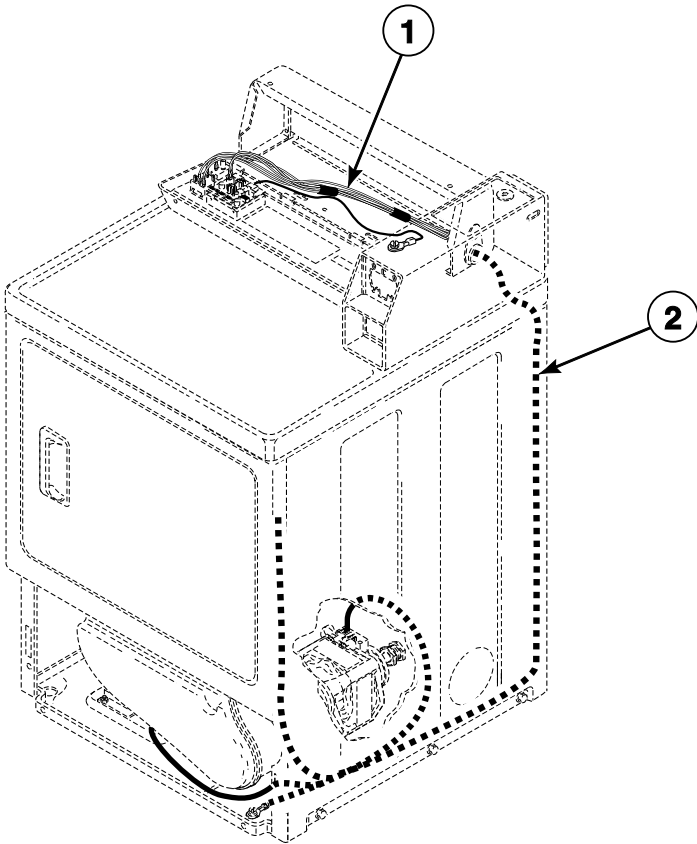
DRY2372P\_D518111

## Wire Harnesses and Wires - Front Control Models

REF	PART NO.	DESCRIPTION	COMMENTS
	45380	12 Gauge Wire	Orange; Order wire by foot; Order terminals and connectors as required
	45001	18 Gauge Wire	Black; Order wire by foot; Order terminals and connectors as required
	45102	18 Gauge Wire	Green/Yellow
<b>1</b>	D517972	Electric Harness	Models HDEBCAGS176TW01, KDEBGACS176TN01 and KDEBGACW176TN01
	D517478	Electric Harness	All other models
	D517973	Gas Harness	Models HDGBCAGS116TW01, KDGBGACS116TN01 and KDGBGACW116TN01
	D517479	Gas Harness	All other models

**NOTE: Individual wires are not available separately. Order complete harness, or order wire by the foot. When applying terminals to wires, it is recommended that the terminals be soldered to the wires.**

# Wire Harnesses and Wires - Rear Control Models



DRY2373P\_D518111

## Wire Harnesses and Wires - Rear Control Models

REF	PART NO.	DESCRIPTION	COMMENTS
	45477	12 Gauge Wire	Green/yellow stripe; Order wire by foot; Order terminals and connectors as required
	45380	12 Gauge Wire	Orange; Order wire by foot; Order terminals and connectors as required
	45001	18 Gauge Wire	Black; Order wire by foot; Order terminals and connectors as required
<b>1</b>	D514025	Harness	
<b>2</b>	D517968	Electric Harness	Models HDEBCRGS176TW01, HDEBYRGS176TW01, KDEBXRGS176TW01 and KDEBYRGS176TW01
	D517474	Electric Harness	All other models
	D517969	Gas Harness	Models HDGBCRGS116TW01, HDGBYRGS116TW01 and KDGBXRGS116TW01
	D517475	Gas Harness	All other models

**NOTE: Individual wires are not available separately. Order complete harness, or order wire by the foot. When applying terminals to wires, it is recommended that the terminals be soldered to the wires.**



# Parts Index

## A

Access Panel Assembly	
D514250DG .....	39
D514250Q .....	39
D514250WP .....	39
D514251 .....	39
Access Panel Plate	
D510903 .....	59
Adhesive	
D511637P .....	45, 47
Air Duct Assembly	
D518433 .....	43
Anti-Seize Compound	
27604P .....	41
Audit Switch Bracket	
800379 .....	29

## B

Blower Fan Assembly	
D510139P .....	41
Blower Housing	
D511969WP .....	41
Blower Housing Seal	
D510238P .....	41
Bolt	
203798 .....	15, 17
29651 .....	17, 25, 33
Booster and Holding Coil	
58804A .....	55
Bracket	
D510146 .....	19
803662 .....	17
Bumper Pad	
56128 .....	59
Burner Assembly	
D510149P .....	55

## C

Cabinet Rear Panel	
D517566 .....	59
Cabinet Side Panel	
D510001DGP .....	59
D510001QP .....	59
D510001WP .....	59
D510002DGP .....	59
D510002QP .....	59
D510002WP .....	59
D512538 .....	59
D512539 .....	59
Card Reader Wire Harness Assembly	
800125P .....	9
Central Pay Harness	
D511478 .....	5, 9
805427 .....	29

Chassis Mounting Bracket	
201581 .....	17
Clip	
201572 .....	23
Coin Cabinet Hardware Kit	
547P3 .....	59
Coin Drop	
38963P .....	21
70441601P .....	21
70441603 .....	21
Coin Drop Assembly	
38462P .....	21
38463 .....	21
38464P .....	21
70441602 .....	21
Coin Drop Wire Harness	
201104 .....	23
Coin Funnel Kit	
523P3 .....	17
Coin Identification Paper	
38725 .....	21, 23
Coin Slide Extension Kit	
200913 .....	17
Coin Slide Kit	
CK001 .....	17
CK009 .....	17
CK010P .....	17
CK011 .....	17
CK014 .....	17
CK017 .....	17
Combustion Duct	
D510131 .....	53
Connector, 2 Circuit	
58799 .....	67
Connector, 3 Circuit	
58800 .....	65
Control Assembly	
D515808P .....	29
D517522 .....	5, 9
D517526 .....	7, 17
D518647 .....	5, 9, 29
Control Bracket and Panel Assembly	
D501738W .....	13
Control Hood	
D502567Q .....	13
D502567W .....	5, 13
D511253W .....	7, 9
Control Overlay	
D515552 .....	7
D515553 .....	5
D515562 .....	7
D515571 .....	31
D517898 .....	5
D518085 .....	5
D518086 .....	9
D518087 .....	31
D518088 .....	31
D518089 .....	5
D519276 .....	9
Control Panel	
D510067W .....	5
D511055W .....	9
803962BP .....	25

N/A items do not appear in index.

803962Q	25
803962WP	25
807774W	9
807812W	5
Control Panel and Bracket Assembly	
D501738Q	13
D513777B	31
D513777Q	31
D513777W	31
807641W	31
Control Panel Assembly	
D515215	27
D515578W	7
D518297	27
Control Panel Overlay	
D515525	13
D515526	7
D515551	13
D515568	7
Control Overlay	
D515555	31
Cycle Selector Switch	
201686	7
Cylinder Assembly	
D510265LGP	45
D510265WP	45
Cylinder Baffle	
D510102LG	45
D510102W	45
Cylinder Belt	
D511255P	41
Cylinder Glide	
D513710	43
Cylinder Glide Bracket	
D510145	43
Cylinder Light Lens	
D512106	43
Cylinder Roller	
D510708P	47
Cylinder Roller Bracket	
D510100	47
Cylinder Seal Assembly	
D510207P	45, 47

---

<b>D</b>	
Damper	
58786	59
Directional Exhaust Kit	
528P3	59
Disconnect Power Warning Label	
D505281	19
Door Assembly	
D516510WP	35
Door Catch Assembly	
D510177	39
Door Handle Wedge	
D510129W	35
Door Liner Assembly	
D516508	35
Door Liner Grill	
D503870LG	35, 37
D503870W	35

Door Pull	
D512947	35
Door Pull and Wedge Kit	
D510103QP	35
D510103WP	35
D511213P	35
Door Pull Kit	
D515656	37
Door Strike	
D510181	35, 37
Dryer Base	
D514245	59
Dryer Door	
D515960WP	35
D515962	37
D518748	35
Dryer Door Window	
D515681	37
Dryer Maintenance Kit	
D519214	41
Dual Coin Harness Assembly	
202871	5, 21, 29
204915	23
806827	23
Dual Overlay	
39073	15

## E

Electric Clearance Label	
D505894	61
D511005	61
Electric Harness	
D517478	71
D517972	71
Electrical Shock Label	
F8211201	43
Electronic Coin Drop Assembly	
70294122	23
70513306	23
Electronic Coin Drop Kit	
CK110	23
CK115	23
Electronic Harness	
D517474	73
D517968	73
End Cap	
210108W	9
210109W	7, 9
510108W	7
Exhaust Duct	
D516196	59
Exhaust Warning Label	
D500497	61
Expansion Clip	
70030501	25, 27
Extractor Tool	
128P4	69
190P4	69

N/A items do not appear in index.

---

**F**

Felt Pad	
D510189 .....	43
Female Piggyback Terminal	
00361 .....	67
Female Pin Terminal	
00117 .....	65
00128 .....	65
00130 .....	65
Female Spade Terminal	
00114 .....	67
00115 .....	67
00121 .....	67
00124 .....	67
00156 .....	67
00189 .....	67
00222 .....	67
00223 .....	67
Female Tab Terminal	
00344 .....	67
Female Terminal	
00188 .....	69
00255 .....	69
00256 .....	69
Flexible Venting Kit	
521P3 .....	59
Front Bulkhead Assembly	
D510266P .....	43
D517572 .....	43
Front Panel	
D510066DG .....	39
D510066QP .....	39
D510066WP .....	39
D512542 .....	39
Front Panel Seal	
D511056 .....	39

---

**G**

Gas Clearance Label	
D511004 .....	61
Gas Harness	
D517475 .....	73
D517479 .....	71
D517969 .....	73
D517973 .....	71
Gas Label	
D505215 .....	61
Gas Valve Mounting Bracket	
D510128 .....	55
Gas Valve, Bracket and Pipe Assembly	
D517606 .....	55
Glide Kit	
RB170003 .....	43
Ground Wire Assembly	
D518257 .....	49
Grounding Clip	
00161 .....	67

---

**H**

Harness	
D514025 .....	73
804832 .....	5, 9
Harness Strap	
55881 .....	65
Heat Duct Shroud	
D510101 .....	53
Heater	
D510325P .....	51
Heater Assembly	
D510324P .....	51
D510330P .....	51
Heater Duct Assembly	
D510705P .....	51, 53
Heater Kit	
964P3 .....	51
965P3 .....	51
Heater Kit Assembly	
61927 .....	51
61928 .....	51
Hinge	
D511036 .....	35, 37
804676 .....	33
Hinge Hole Plug	
D510186 .....	39
Hold Down Kit	
526P3 .....	59
Hood Back Panel	
804886 .....	5, 13
Housing, 10 Position	
D500338 .....	69

---

**I**

Idler Lever	
D516310 .....	41
Idler Lever and Wheel Assembly	
D516792 .....	41
Idler Spring	
D510185 .....	41
Idler Wheel and Bearing Assembly	
D510142P .....	41
Igniter and Bracket Assembly	
D518679P .....	55
Instruction Label	
D500628 .....	17
Insulated Female Flag Terminal	
00221 .....	67
Insulated Female Spade Terminal	
00359 .....	67
00360 .....	65
Insulated Female Terminal	
00165 .....	67

---

**K**

Key	
54612 .....	31

N/A items do not appear in index.

---

**L**

Lead-In Cord	
D518387 .....	63
Lead-In Cord Assembly	
D510505P .....	63
Leveling Leg	
D510135 .....	59
Light	
801431 .....	7, 13
Limit Thermostat	
D510702 .....	53
D515873 .....	51
Liner and Seal Assembly	
D516509 .....	37
Lint Filter	
D503980LG .....	43
D503980W .....	43
Lock Assembly	
807761 .....	31
Lock Cam	
804338 .....	31
807760 .....	31
Lock Kit	
27260P .....	31
L.P. Conversion Kit	
458P3 .....	55
L.P. Orifice	
D503786 .....	57
58755 .....	57

---

**M**

Machine ID Control Assembly	
203361P .....	5, 9, 29
Male Pin Terminal	
00116 .....	65
00127 .....	65
00129 .....	65
Male Tab Terminal	
00139 .....	67
Mechanical Counter Kit Assembly	
201280P .....	17
Meter Case Assembly	
804009W .....	25
807396B .....	25
807396W .....	25
807406W .....	15
Meter Case Assembly Kit	
803575WP .....	17
Meter Case Bracket Gasket	
35526 .....	15, 17
Meter Case Gasket	
26354 .....	15, 17
Meter Case Lockdown Bracket	
35525 .....	15, 17
Meter Case Locking Bracket Kit	
204616 .....	15, 17
Motor and Pulley Assembly	
D511629P .....	41
Motor Hub Ring Kit	
590P3 .....	41

N/A items do not appear in index.

Motor Mount	
D518517 .....	41
Motor Mount Clamp	
D510180 .....	41
Motor Pulley	
D500011 .....	41
Motor Switch Bracket	
D516311 .....	41

---

**N**

Nut	
201216 .....	23
24205 .....	7, 13
27222 .....	19
28447 .....	49
29786 .....	13, 15, 17, 21, 23
29796 .....	17
36020 .....	33
44087101 .....	15
44087201 .....	25
44087301 .....	41, 47
52566 .....	5, 41
52947 .....	7, 13
802337 .....	17
N.G. Conversion Kit	
459P3 .....	55
N.G. Orifice	
D503776 .....	57
D503778 .....	57
D503779 .....	57
D503780 .....	57
D510517 .....	57

---

**O**

Operating Instructions Label	
D517764 .....	27
D518482 .....	25, 27
Opto Coupler	
200674P .....	21
Outlet Cover	
D500820 .....	51, 53
D518524 .....	51, 53
Output Board Shield	
D514420 .....	59
Output Control Assembly	
D517191P .....	59
Overlay	
D514873 .....	27
201091 .....	15, 23

---

**P**

Panel Locator	
56079 .....	39, 59
Pinch Warning Label	
F8615701 .....	43
Plug	
23040 .....	65
54522 .....	67

Plug, 2 Circuit	
56266 .....	65
56448 .....	65
Plug, 6 Circuit	
23041 .....	67
Plug, 9 Circuit	
23033 .....	67
Porcelain Touch-Up Paint	
122P4P .....	59

## R

Ratchet Extension Tool	
310P4 .....	69
Read Instructions Label	
D513371 .....	15
Rear Access Panel	
807646 .....	25, 27
Rear Bulkhead Assembly	
D511082P .....	47
D518128 .....	47
Rear Panel	
D511254 .....	7
804884 .....	9
Receptacle Housing	
90789 .....	67
Receptacle, 1 Circuit	
26301 .....	67
Receptacle, 10 Circuit	
34596 .....	67
Receptacle, 12 Circuit	
D501333 .....	67
56855 .....	67
Receptacle, 2 Circuit	
56265 .....	65
56451 .....	65
Receptacle, 3 Circuit	
23039 .....	65
36170 .....	65
Receptacle, 6 Circuit	
26708 .....	67
Receptacle, 9 Circuit	
26163 .....	67
Retaining Ring	
23748 .....	41, 47
Ring Terminal	
00110 .....	67
00111 .....	67
00319 .....	67
Rocker Switch	
70455101 .....	7
Roller Kit	
RB170002 .....	47
Rubber Foot	
D501855 .....	59

## S

Screw	
D500226 .....	35, 37, 43
D500824 .....	41
D501285 .....	43, 49

D501524 .....	17, 31
D502535 .....	41
D503661 .....	11, 29
D503673 .....	15, 17
D503688... 5, 9, 17, 19, 25, 27, 39, 41, 43, 47, 49, 51, 53, .....	55, 59
D505295 .....	5, 7, 9, 13
D512631 .....	37
D512921 .....	59
D514428 .....	59
M405188 .....	25, 39
02916 .....	5, 9, 13
20530 .....	63
23008 .....	33
23222 .....	51, 55
28448 .....	49
2916 .....	15
31260 .....	41
33562 .....	39
35528 .....	5, 7, 9, 13
36048 .....	15, 17
39733 .....	39, 59
51782 .....	53, 55
52864 .....	5, 7, 9, 13, 43
56124 .....	55
61199 .....	49
62588 .....	45
62853 .....	39
70240301 .....	25, 27
804608 .....	7
804667 .....	59
Screw Orifice	
58719 .....	57
Seal Kit	
RB170001 .....	45, 47
Secondary Coil	
58804B .....	55
Security Cabinet Assembly	
804149WP .....	27
Security Wrapper Assembly	
D515216 .....	27
Sensor	
D510213 .....	55
Serial Pay Control Assembly	
807714 .....	11
Serial Pay Harness	
F8713906 .....	11
Service Door Assembly	
39874DGP .....	15
39874QP .....	15
39874WP .....	15, 17
Shaft	
56461P .....	41, 47
Single Coil Heater Assembly	
D510329P .....	51
Single Coin Harness Assembly	
202870 .....	29
204914 .....	21
806826 .....	21
Single Overlay	
38717 .....	15, 21
Slide	
CK027 .....	17
Spade Terminal	
00245 .....	67

N/A items do not appear in index.

Speed Clip 28835 .....	39
Spring 804794 .....	17
Strain Relief D517490 .....	63
Switch D512973 .....	25, 29, 39
D516391 .....	41
431159 .....	17
70529301 .....	15
Switch Assembly 55882 .....	13
Switch Knob 39897 .....	7, 13

## T

Temperature Selector Switch D511711 .....	7, 13
Terminal 00252 .....	67
00347 .....	67
Terminal Block Assembly D510190P .....	49
Terminal Extractor Tool 283P4 .....	69
Thermal Fuse Assembly D518649 .....	51
Thermistor Assembly D510523 .....	41
Timer Knob 54678 .....	7
Top Hinge D510136 .....	59
Top Kit D511527WP .....	19
Top Panel 803868Q .....	33
803868WP .....	33
803869 .....	33
Top Panel Kit D511530WP .....	19
Torx Bit 281P4 .....	69
282P4 .....	69
292P4 .....	69
Torx Drive Tool 93501 .....	69
Transformer 201375P .....	23
202757 .....	5, 9, 29
Transformer Harness D514072 .....	29
D514073 .....	5, 9
804795 .....	29

## U

USB-NFC Interface Kit 205256 .....	11
---------------------------------------	----

## V

Venting Instruction Label D502791 .....	61
Voltage Warning Label 62104 .....	61

## W

Warning Label D500314 .....	43
D500316 .....	19
803260 .....	61
Warning/Caution Label D516512 .....	39
Washer D504082 .....	47
M400017 .....	5, 13, 15
200608 .....	5, 9
28449 .....	49
29260 .....	37
52549 .....	41, 47
91029 .....	7, 13
Window Trim D515959 .....	37
Wire Assembly D518255 .....	51
D518256 .....	51
Wire Clip D504034 .....	65
687500 .....	65
Wire Guard 201595P .....	21
Wire, 12 Gauge 45380 .....	71, 73
45477 .....	73
Wire, 18 Gauge 45001 .....	71, 73
45102 .....	71
Wiring Harness Assembly 202868 .....	29
202869 .....	9
Wrapper Assembly 804104B .....	25
804104Q .....	25
804104W .....	25
804112W .....	27

## Numerics

1 Circuit Plug Housing 44370401 .....	67
--	----

## Numerics

202877W Meter Case Assembly .....	15
--------------------------------------	----

---

## **Numerics**

807096W  
Meter Case Assembly ..... 15

---

