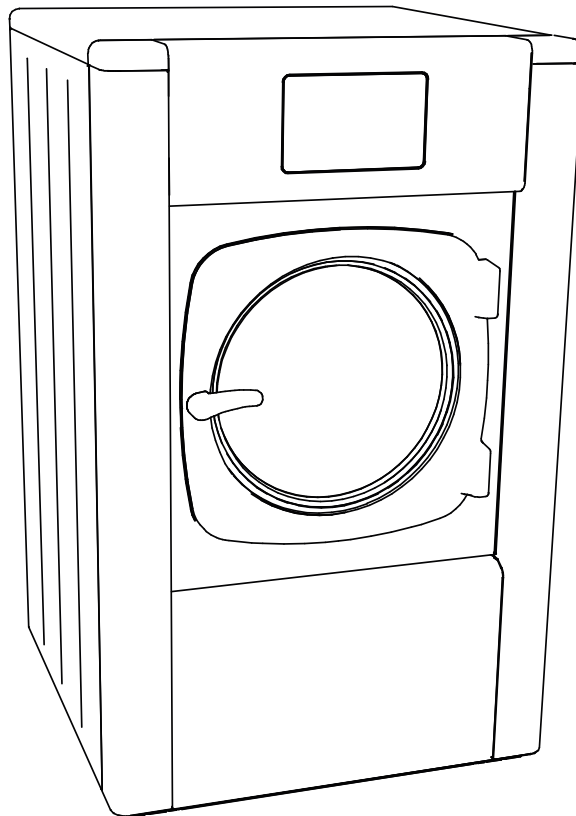


# Washers

## GS7032 / GS080



**GIRBAU**

**GIRBAU**

**NORTH AMERICA**

EN

The information in this manual applies to the following models:

Model	Girbau, SA Catalog No.	Girbau North America, Inc. Catalog No.	From machine No.	To machine No.
HS7032/80 H HS7032/80 E HS7032/80 V	GS7032	GS080	2890000	



Girbau, SA  
Ctra de Manlleu, km. 1  
08500 Vic (Barcelona) SPAIN  
[www.girbau.com](http://www.girbau.com)

GIRBAU NORTH AMERICA Inc.  
2500 State Road 44  
WI 54904 Oshkosh USA  
[www.cgilaundry.com](http://www.cgilaundry.com)

### TRANSLATION OF THE ORIGINAL MANUAL

**Carefully read these instructions before using the machine.**

**Unauthorized modifications to the machine will void the warranty.**

**Keep this manual for future reference.**

## Contenido

FRAME .....	5
Frame assembly .....	6
Damper assembly [10532554] .....	7
Dextrorotation spring assembly [11927175] .....	8
Levorotation spring assembly [11927183] .....	9
Motor bracket assembly [11927167] .....	10
Motor axis assembly [11927159] .....	11
CYLINDER .....	12
Drum assembly .....	13
Bearing group assembly [11989837] .....	15
Pressure-switch assembly [11989845] .....	17
DOOR .....	18
Door assembly .....	19
Hinge assembly [10469963] .....	20
Door handle assembly [10469955] .....	21
Lock and bolts assembly [10469989] .....	22
CONTROL PANEL .....	23
Pro Control panel assembly .....	24
Vended Control panel assembly .....	25
Mechanical coin meter assembly [10222602] [10222610] [10222628] .....	27
Electronic coin meter assembly [10222354] [10222362] [10222388] [10222339] [10222529] [10222586] [10222479] [10222461] [10222578] [10222552] [10222453] .....	28
CABINET .....	30
Cabinet and covers assembly .....	31
Corner assembly .....	33
Side cover assembly .....	34
Upper rear and middle rear covers assembly .....	35
Lower rear cover assembly .....	36
Front cover assembly .....	37
Column assembly .....	38
Upper cover support profiles assembly .....	39
DISPENSER .....	40
Dispenser assembly .....	41
REAR PANEL .....	42
Rear panel assembly, 3 compartments .....	43
Rear panel assembly, 3 compartments- Hoses .....	44
Rear panel assembly, 4 compartments .....	45
Rear panel assembly, 4 compartments - Hoses .....	46
Rear panel assembly, 4 compartments, 3 water inlets .....	47
Rear panel assembly, 4 compartments, 3 water inlets- Hoses .....	48
Rear panel assembly, 4 compartments (WRAS) .....	49
Rear panel assembly, 4 compartments (WRAS) - Hoses .....	50
Distributor assembly [17216193] .....	51
DRAIN .....	52
Drain assembly .....	53
HEATING .....	55
Electric heating assembly - Hot water .....	56



---

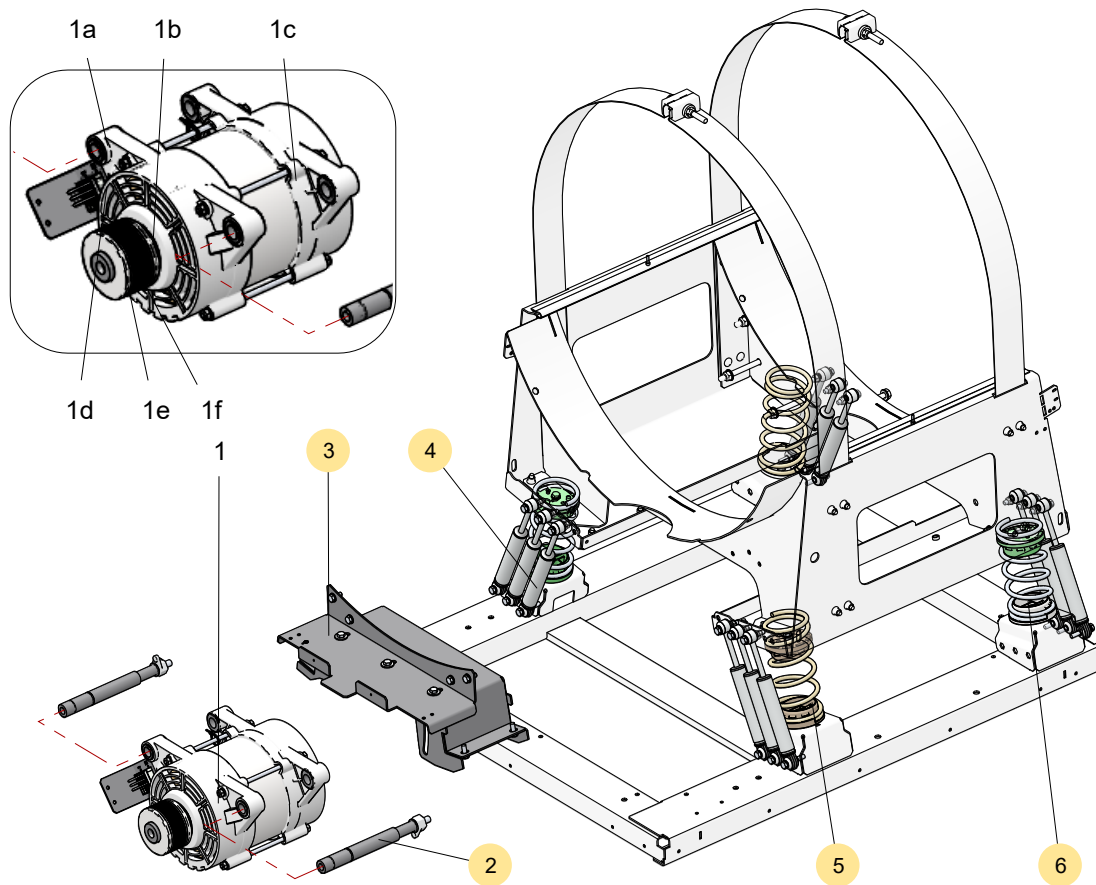
Steam heating assembly .....	57
ELECTRICAL WIRING .....	59
Single phase junction box assembly .....	60
Three phase junction box assembly .....	61
Single phase inverter assembly .....	63
Three phase inverter assembly .....	64
Control junction box assembly .....	65
ADDITIONAL PARTS .....	66
Water inlet hoses assembly .....	67



# FRAME

## Frame assembly

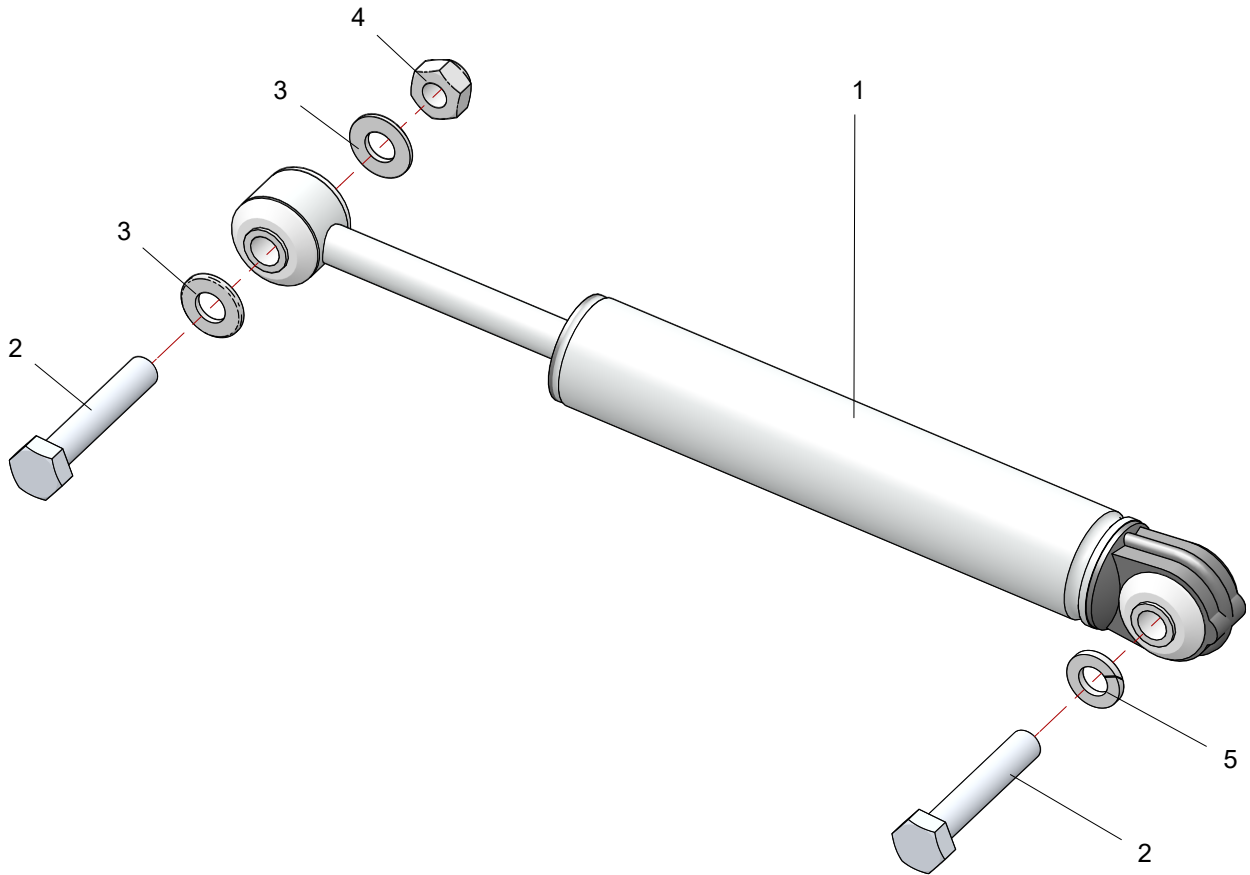
Figure 1



Item No.	Part Number	Part Name	Qty	Remarks
1	10384089	MOTOR MT 125-125/4	1	(M1)
1a	432203	MOTOR SILENBLOCK	4	
1b	304964	BALL BEARING Ø40xØ90x23	1	
1c	172072	BALL BEARING Ø30xØ62x16	1	
1d	10147668	MOTOR CONNECTOR	1	
1e	10052272	MOTOR PULLEY MT125-125/4-H	1	
1f	321190	TOLERANCE RING STAR 0820-040-06	1	
2	11927159	ASSY. AXIS MOTOR STRUCTURE	2	
3	11927167	ASSY. MOTOR SUPPORTS AND SCREWS	1	
4	10532554	ASSY DAMPER	12	
5	11927175	ASSY DEXTROROTATION SPRING	2	BROWN RAL8007
6	11927183	ASSY. LEVOROTATION SPRING	2	GREEN RAL6018

## Damper assembly [10532554]

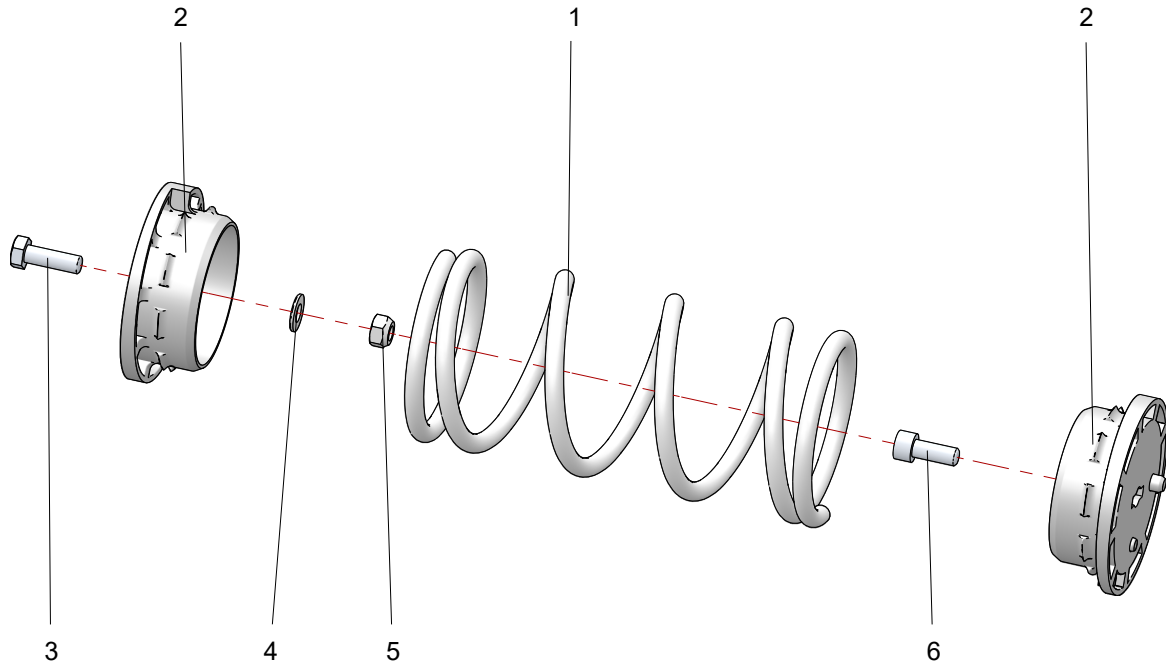
Figure 2



Item No.	Part Number	Part Name	Qty	Remarks
1	333476	DAMPER 120N 298-183	1	
2	191726	HEX SCREW DIN-933 8,8 M8x45 TRIVALENT	2	
3	149518	WASHER DIN 125B M8 TRIVALENT	2	
4	164285	SELF-LOCKING NUT DIN-985 8 M8 TRIVALENT	1	
5	149781	GROWER WASHER DIN 127 M8 TRIVALENT	1	

## Dextrorotation spring assembly [11927175]

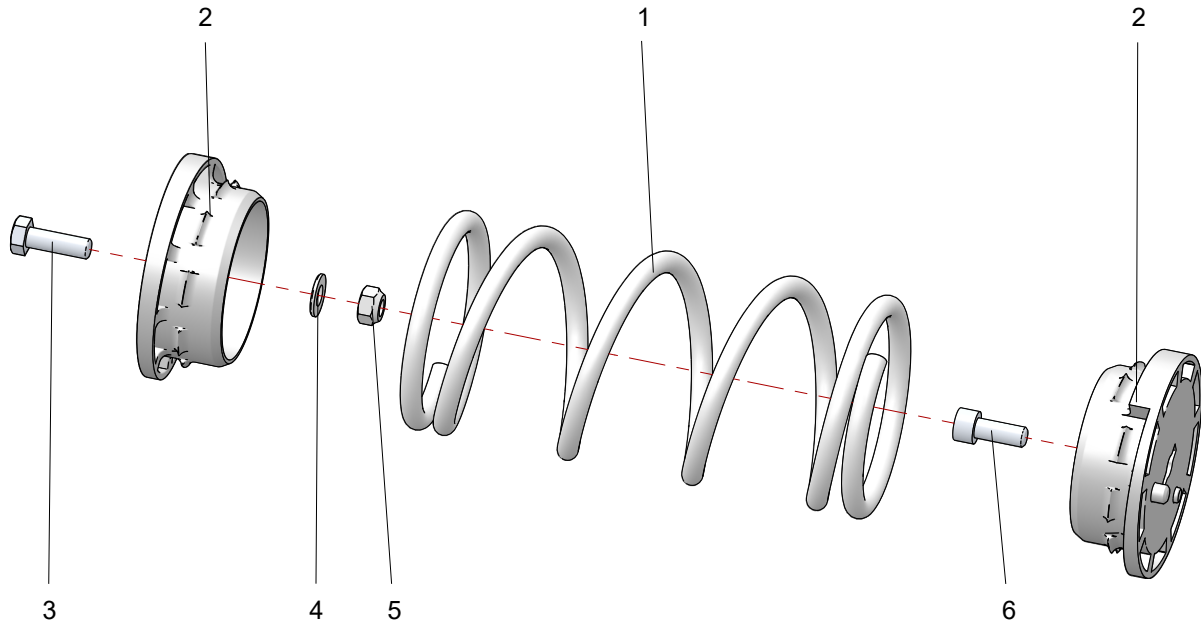
Figure 3



Item No.	Part Number	Part Name	Qty	Remarks
1	10048429	DEXTROROTATION SPRING SUSPENSION	1	BROWN RAL 8007
2	594648	DEXTROROTATION SPRING SUPPORT	2	
3	192849	HEX SCREW DIN-933 8,8 M8x25 TRIVALENT	1	
4	149518	WASHER DIN 125B M8 TRIVALENT	1	
5	164285	SELF-LOCKING NUT DIN-985 8 M8 TRIVALENT	1	
6	144394	ALLEN SCREW DIN-912 8,8 M8x20 TRIVALENT	1	

## Levorotation spring assembly [11927183]

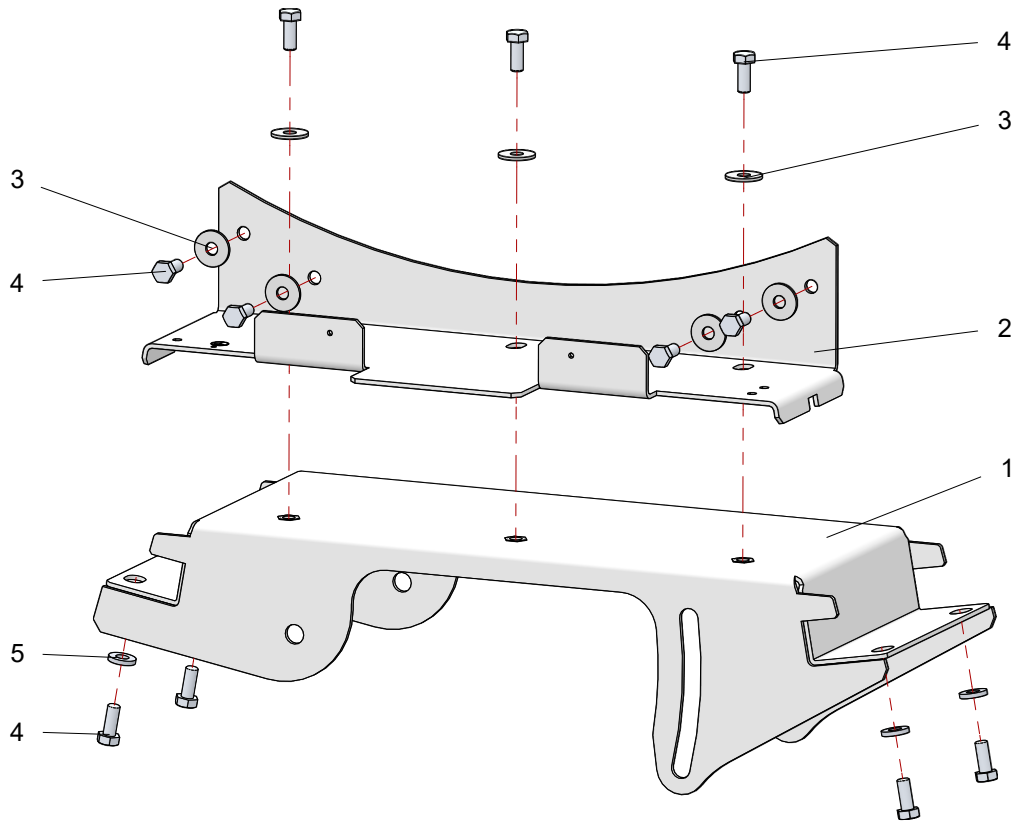
Figure 4



Item No.	Part Number	Part Name	Qty	Remarks
1	10048437	LEVOROTATION SPRING SUSPENSION	1	GREEN RAL 6018
2	13440375	LEVOROTATION SPRING SUPPORT	2	
3	192849	HEX SCREW DIN-933 8,8 M8x25 TRIVALENT	1	
4	149518	WASHER DIN 125B M8 TRIVALENT	1	
5	164285	SELF-LOCKING NUT DIN-985 8 M8 TRIVALENT	1	
6	144394	ALLEN SCREW DIN-912 8,8 M8x20 TRIVALENT	1	

### Motor bracket assembly [11927167]

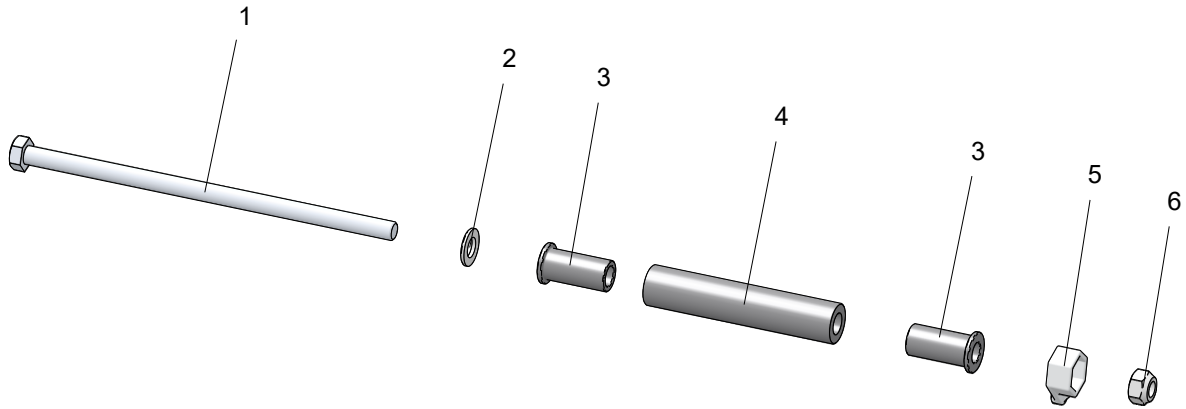
Figure 5



Item No.	Part Number	Part Name	Qty	Remarks
1	10333466	MOTOR SUPPORT	1	
2	10781326	REINFORCEMENT	1	
3	358101	PLAIN WASHER DIN 9021 M8 A2 (extØ24)	7	
4	146399	HEX SCREW DIN-933 8,8 M8x20 TRIVALENT	11	
5	526830	WASHER ø18x8,5x3 TRIVALENT	4	

## Motor axis assembly [11927159]

Figure 6



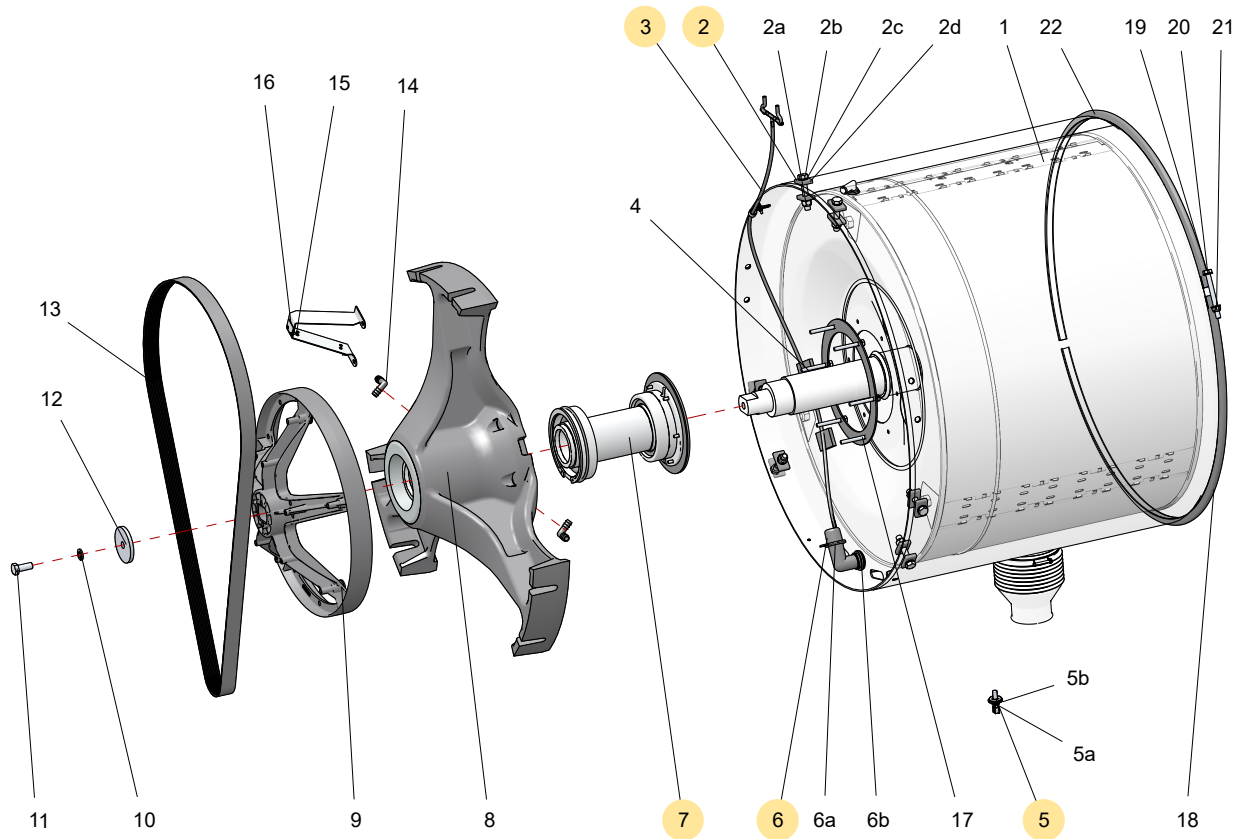
Item No.	Part Number	Part Name	Qty	Remarks
1	10068807	HEX SCREW DIN-931 8,8 M12x250 TRIVALENT	1	
2	149419	WASHER DIN 125B M12 TRIVALENT	1	
3	423103	MOTOR SLEEVE	2	
4	10700854	SPACER	1	
5	338095	MOTOR NUT BRACKET	1	
6	150656	SELF-LOCKING NUT DIN-985 8 M12 TRIVALENT	1	



# CYLINDER

# Drum assembly

Figure 7



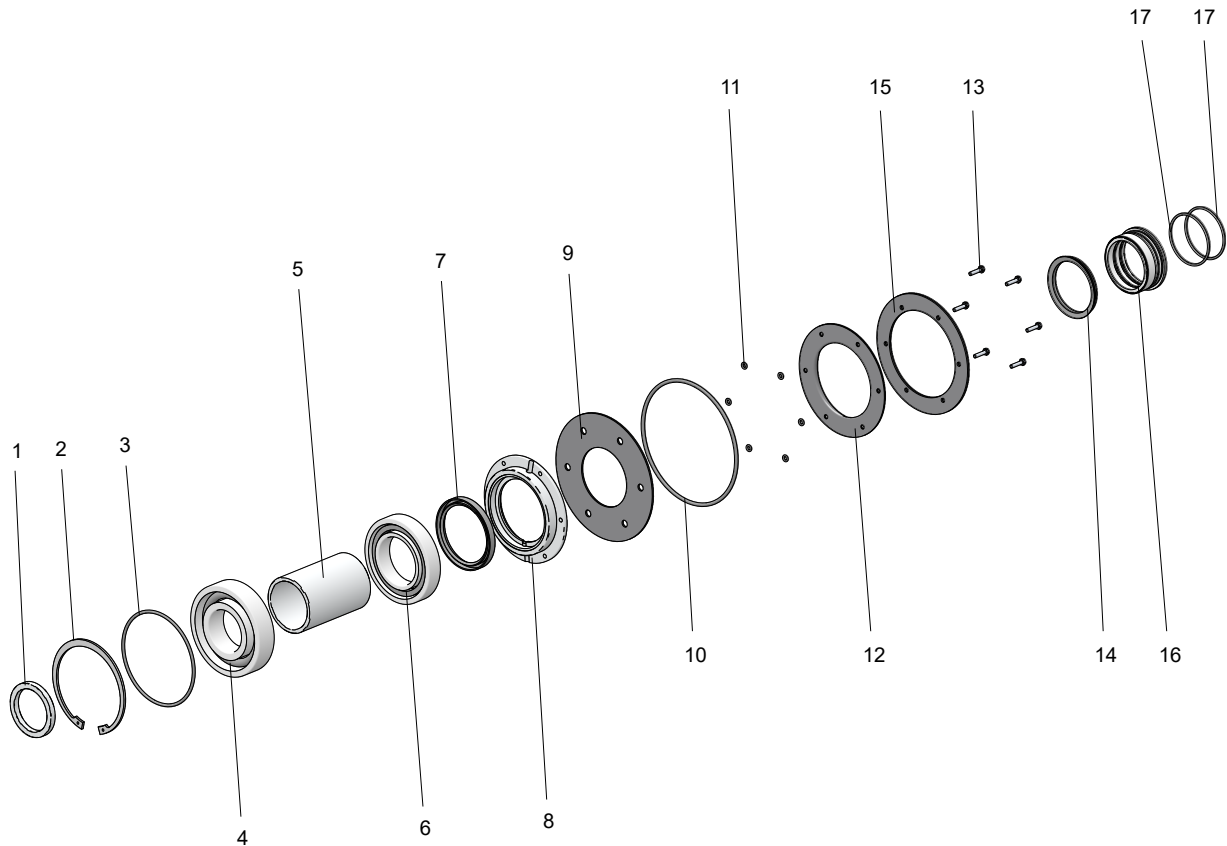
Item No.	Part Number	Part Name	Qty	Remarks
1	10072767	DRUM	1	[Inox basket plate]
1	10077436	DRUM	1	[Painted basket plate]
2	11989852	ASSY BEARING BOX SCREWS	6	
2a	150656	SELF-LOCKING NUT DIN-985 8 M12 TRIVALENT	6	
2b	182204	HEX SCREW DIN-931 8,8 M12x70 TRIVALENT	6	
2c	342576	WASHER NORD-LOCK NL12 DELTA PROTECK	12	
2d	592709	HANDRAIL 43X25X8	12	
3	11989845	ASSY PRESSOSTAT HOSE	1	
4	431205	PRESSOSTAT HOSE PROTECTION	2	
5	10470128	ASSY TEMPERATURE SENSOR AND GROMMET	1	(B2)
5a	256149	SENSOR SHEATH LODGING	1	
5b	647214	TEMPERATURE SENSOR PT1000	1	
6	10470136	ASSY PRESSURE SWITCH. BODY AND GROMMET	1	
6a	320382	PRESSURE SWITCH INTAKE BODY	1	



Item No.	Part Number	Part Name	Qty	Remarks
6b	320036	PRESSOSTAT BODY GROMMET	1	
7	11989837	ASSY BEARING GROUP	1	
8	10044667	BEARING HOUSING	1	
9	10976280	PULLEY	1	
10	149831	GROWER WASHER DIN 127 M14 BLACK	1	
11	186312	HEX SCREW DIN-933 8,8 M14x35 TRIVALENT	1	
12	212589	WASHER $\varnothing 80 \times \varnothing 15 \times 8$ TRIVALENT	1	
13	10065571	NON-CONDUCTIVE RIBBED BELT L2337	1	
14	193904	HOSE ELBOW 3/8"	2	
15	12424388	MINI SWITCH BRACKET	1	
16	10589554	SPACING PLATE	1	
17	586867	OUTER DRUM PLATE SET	1	
18	10058154	OUTER DRUM FIXING SEMI-RING	2	
19	146563	HEX SCREW DIN-933 8,8 M10x100 TRIVALENT	2	
20	149500	WASHER DIN 125B M10 TRIVALENT	4	
21	150649	SELF-LOCKING NUT DIN-985 8 M10 TRIVALENT	2	
22	10058071	OUTER DRUM FRONT GASKET	1	
	106526	SILICONE HOSE DC 7091 GRAY 310ml	1	

## Bearing group assembly [11989837]

Figure 8



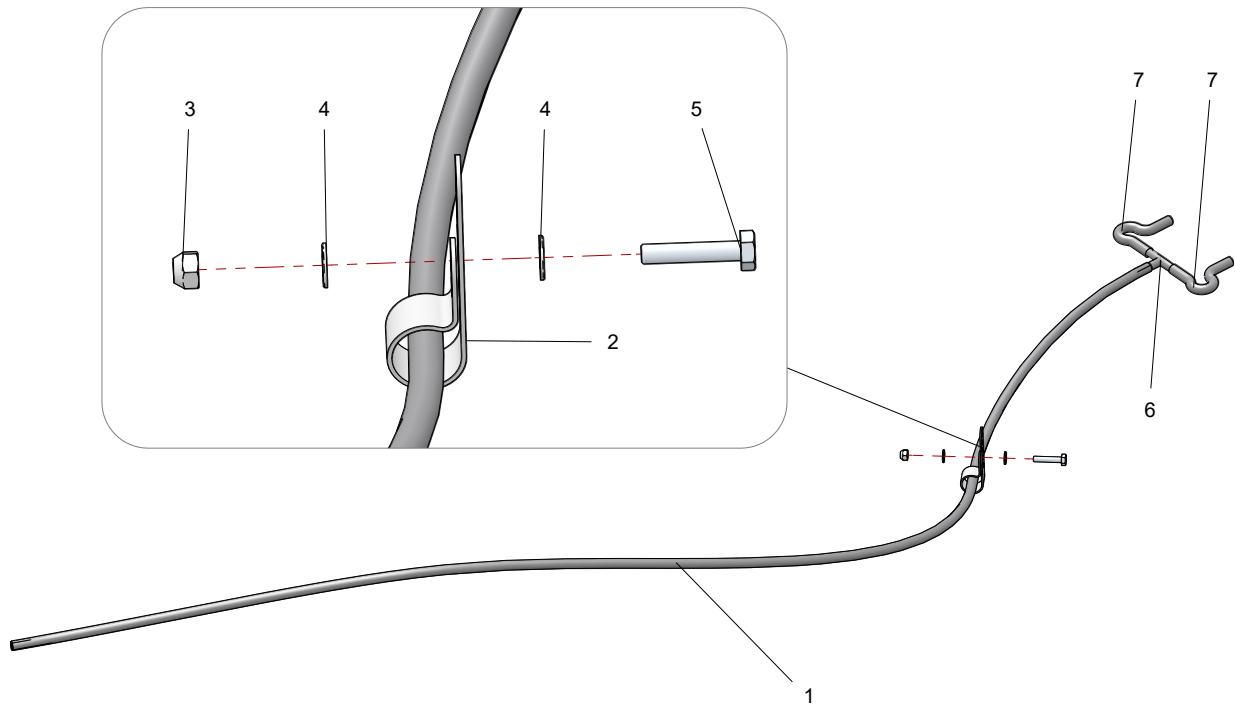
Item No.	Part Number	Part Name	Qty	Remarks
1	10001774	DRUM PULLEY SEPARATOR	1	
2	316539	FLEXIBLE RING DIN-472 I-160	1	
3	10067494	O-RING OR NBR70 $\varnothing 158 \times \varnothing 5$	1	
4	10016210	BALL BEARING $\varnothing 75 \times \varnothing 160 \times 37$	1	
5	10016301	BEARING END-PIECE	1	
6	10016368	CYLINDRICAL ROLLER BEARING $\varnothing 85 \times \varnothing 150 \times 28$	1	
7	583930	SEAL BA $\varnothing 125 \times \varnothing 100 \times 12$ NBR70	1	
8	10016178	SEAL COVER	1	
9	588699	V-RING PLATE	1	
10	591065	O-RING OR NBR70 $\varnothing 210 \times \varnothing 6$	1	
11	181321	O-RING OR NBR70 $\varnothing 6 \times \varnothing 3$	6	
12	585877	V-RING PROTECTION	1	
13	144915	HEX SCREW DIN-933 A2-70 M6x25	6	
14	591354	RING V-RING V-100A VITON	1	
15	10267433	V-RING PROTECTION	1	
16	10062206	SEAL RING	1	



Item No.	Part Number	Part Name	Qty	Remarks
17	10062149	O-RING OR NBR70 $\varnothing$ 85x $\varnothing$ 3,5	2	
	646109	GREASE	1	
	106526	SILICONE HOSE DC 7091 GRAY 310ml	1	
	134015	THREADLOCKER	1	

## Pressure-switch assembly [11989845]

Figure 9



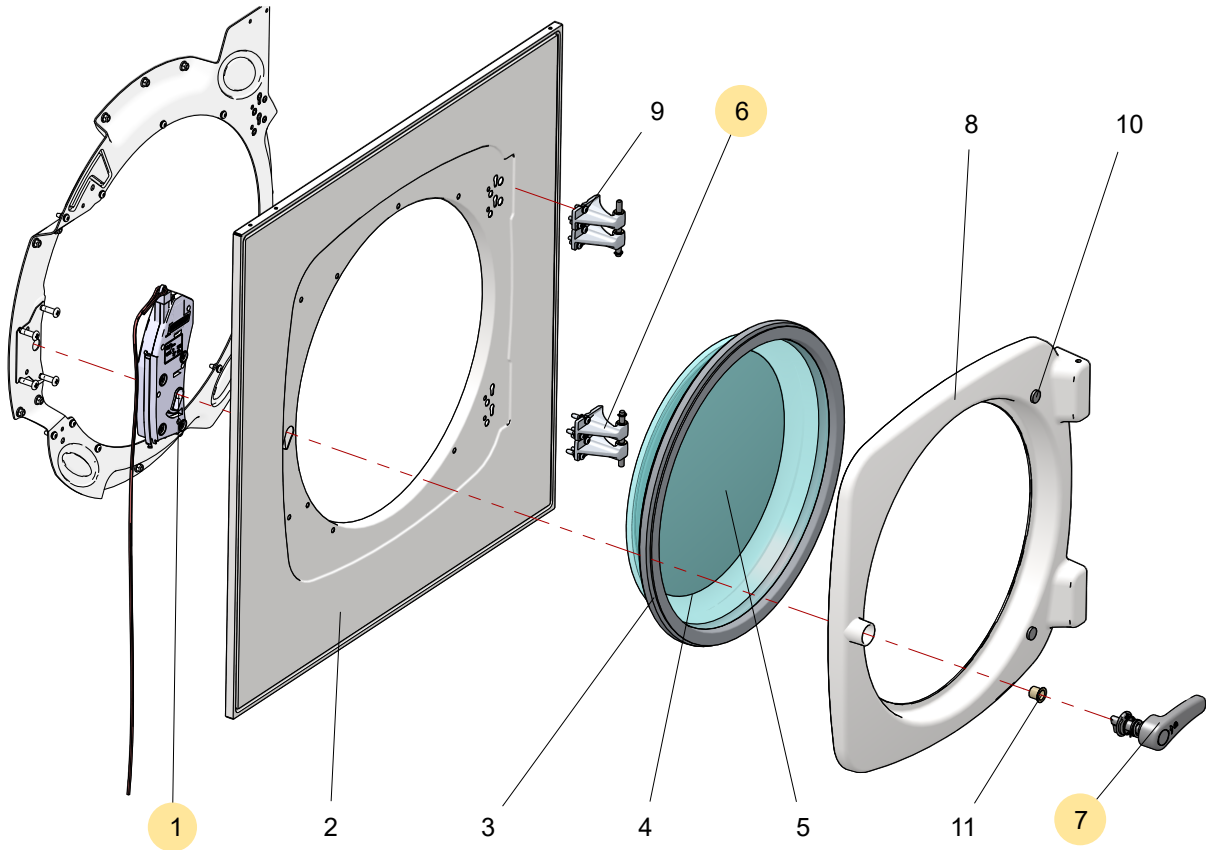
Item No.	Part Number	Part Name	Qty	Remarks
1	428672	PRESSURE TRANSMITTER HOSE INNØ4 x OUTØ7 x L1160mm	1	Includes foam
2	140418	CLAMP UNEX 1201	1	
3	132043	SELF-LOCKING NUT DIN-985 8 M4 TRIVALENT	1	
4	149476	WASHER DIN 125B M4 TRIVALENT	2	
5	184184	HEX SCREW DIN-933 4,8 M4x20 TRIVALENT	1	
6	10419554	PLASTIC T-FITTING	1	
7	10505188	PRESSURE TRANSMITTER HOSE	2	



**DOOR**

## Door assembly

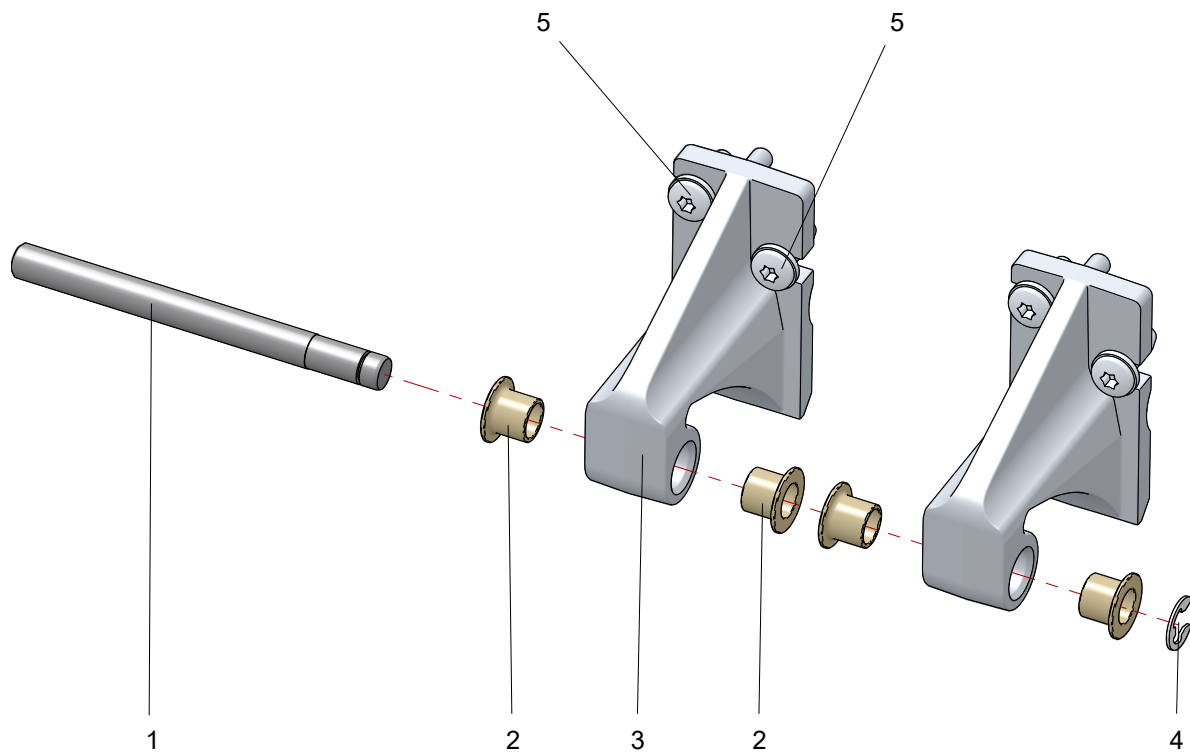
Figure 10



Item No.	Part Number	Part Name	Qty	Remarks
1	10469989	ASSY LOCK AND SCREWS	1	(E3) Includes rope
2	10188753	FRONT PANEL COVER	1	
3	10656577	DOOR GASKET	1	
4	10011500	SIGHT GLASS	1	
5	14882609	REINFORCEMENT PEEPHOLE	1	[ETL]
6	10469963	ASSY. HINGE	2	
7	10469955	ASSY. HANDLE DOOR	1	
8	10447860	DOOR	1	[Painted door]
8	10505154	DOOR	1	[Chrome door]
9	333294	SCREW T25 AR.18ESTR.M 6X15 INOX	8	
10	423475	DOOR END-STOP	2	
11	10128882	FLANGED BUSHING Ø15xØ17x17	1	

## Hinge assembly [10469963]

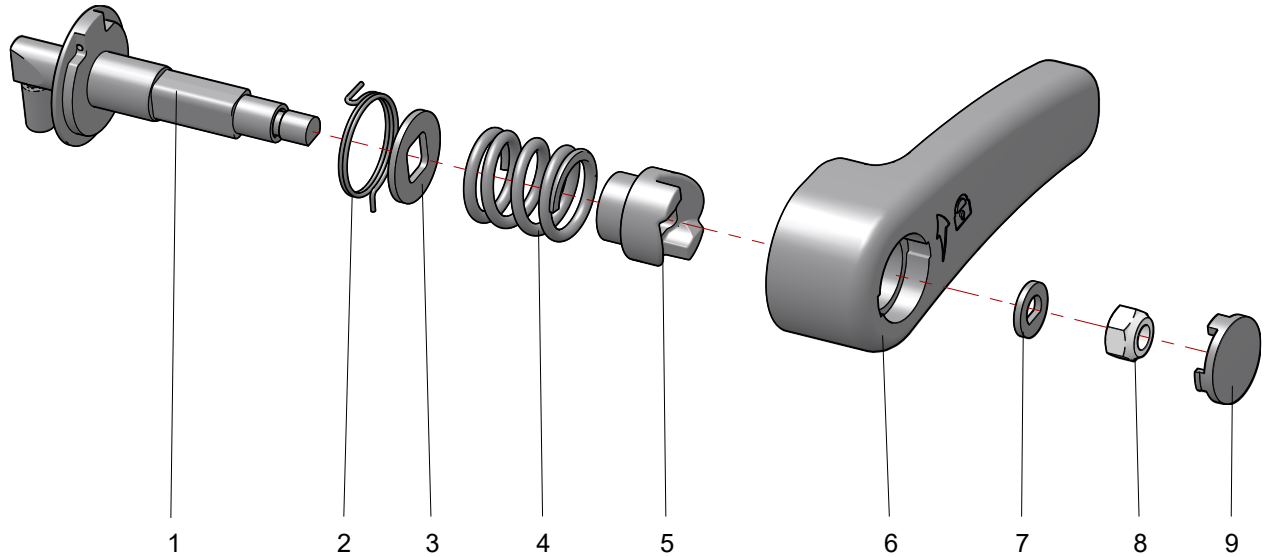
Figure 11



Item No.	Part Number	Part Name	Qty	Remarks
1	10273357	HINGE SHAFT	1	
2	10272276	FLANGED BUSHING Ø8xØ10x9,5	4	
3	11839776	HINGE	2	
4	10004927	SECURITY WASHER DIN 6799 Ø6	1	
5	333294	SCREW T25 AR.18ESTR.M 6X15 INOX	4	

## Door handle assembly [10469955]

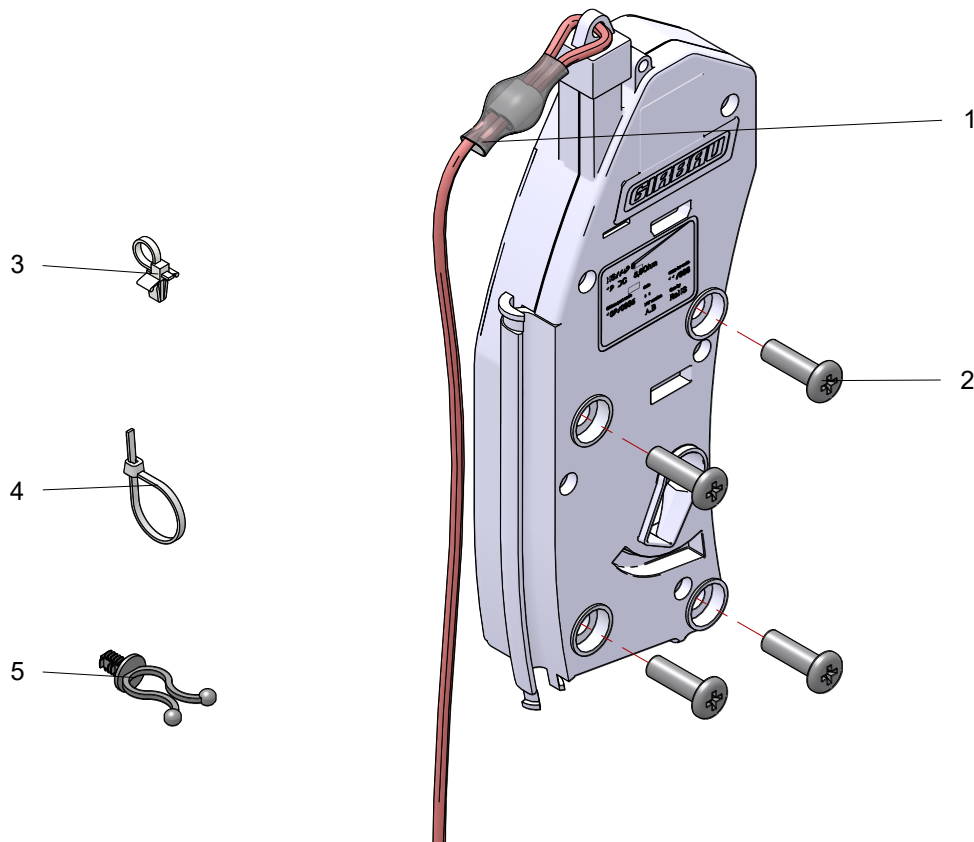
Figure 12



Item No.	Part Number	Part Name	Qty	Remarks
1	11755477	SHAFT HS7	1	
2	10210524	SPRING	1	
3	11773835	WASHER	1	
4	10190544	SPRING	1	
5	10238475	GUIDE BUSH	1	
6	11756541	HANDLE	1	
7	11773827	WASHER	1	
8	164285	SELF-LOCKING NUT DIN-985 8 M8 TRIVALENT	1	
9	11029162	HANDLE COVER	1	

### Lock and bolts assembly [10469989]

Figure 13



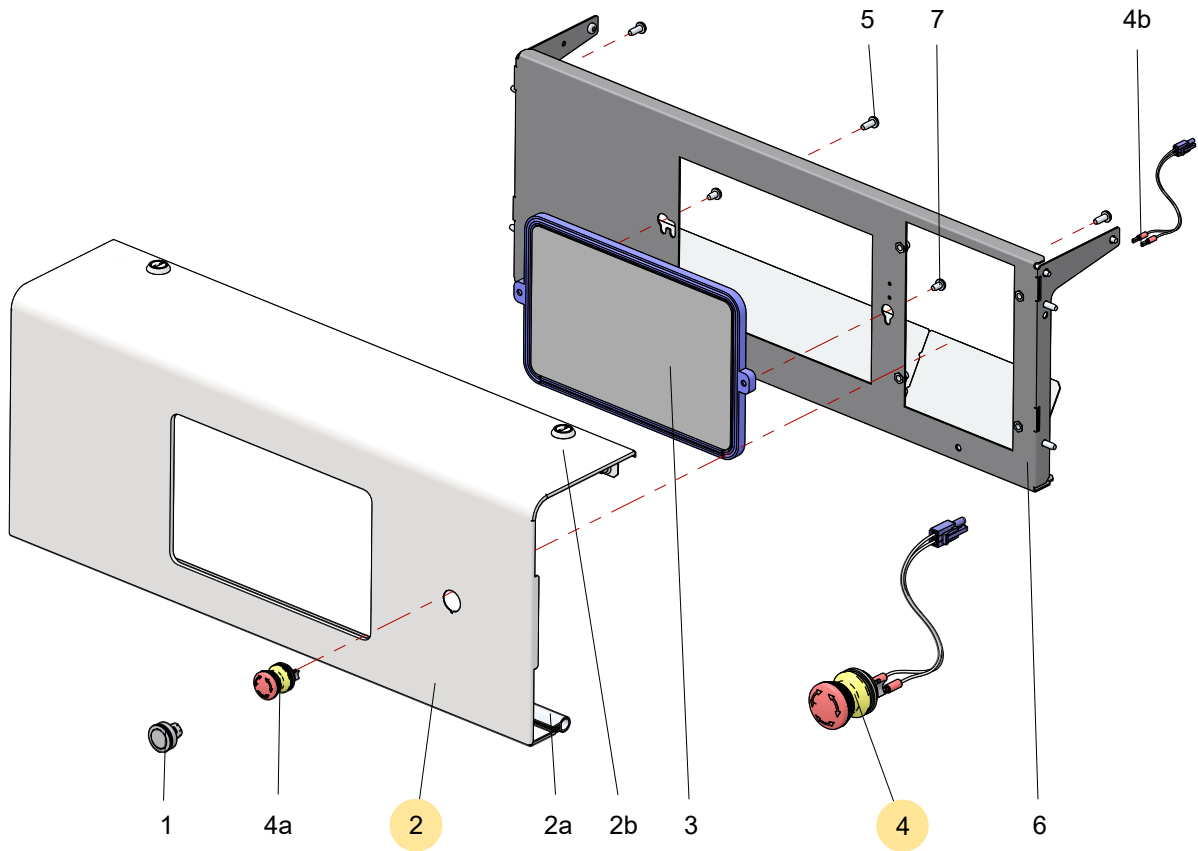
Item No.	Part Number	Part Name	Qty	Remarks
1	11789864	MANUALLY OPERATED LOCK ASSEMBLY	1	Cord included
2	10323814	M6 UNION TUBE WITH CABINED HEAD	4	
3	326132	CABLE TIE Ø35 NATURAL	1	
4	140434	CABLE TIE 2.5x101 NATURAL	2	
5	11872488	Ø12 TORSION CLAMP	1	



# CONTROL PANEL

## Pro Control panel assembly

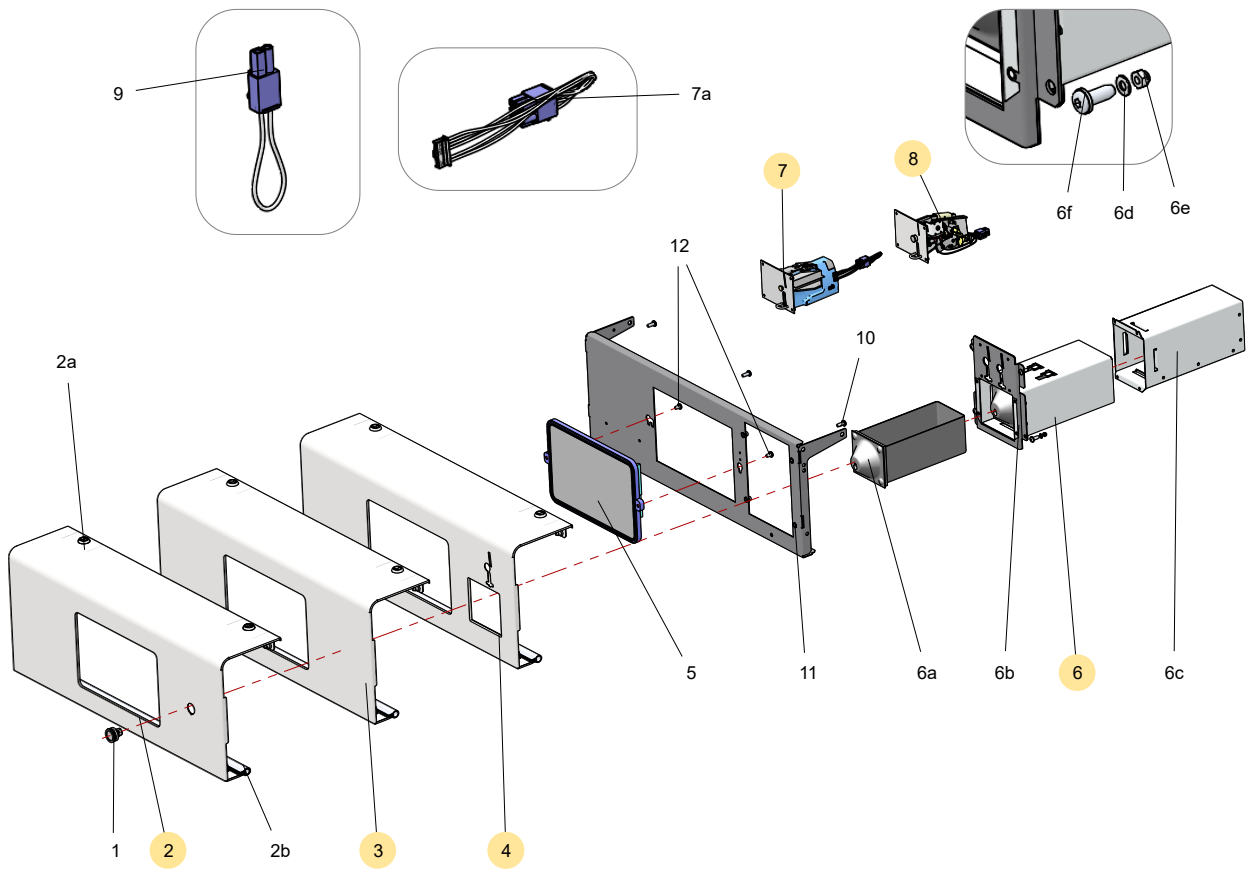
Figure 14



Item No.	Part Number	Part Name	Qty	Remarks
1	10243046	USB DUMMY TOP	1	[Not Emergency stop]
2	15761752	ASSY. OPL CONTROL PANEL INOX	1	[Inox]
2	15761760	ASSY. OPL CONTROL PANEL TPC	1	[Pre-coated]
2a	10522233	EPDM PROFILE L=724	1	
2b	196915	LOCK REF 20.00.02.05	2	
3	10042943	GS7 PANELLED	1	
3	14611412	GS7 PANELLED ADVANCE	1	(A1,A2)
3	14611347	GS7 PANELLED ALLWET	1	
3	14611164	GS7 PANELLED AQUATOUGH	1	
3	11775301	GS7 PANELLED GWET	1	
4	13444625	KIT EMERGENCY STOP	1	
4a	10082816	EMERGENCY STOP	1	
4b	10215044	XSB S1 ELECTRICAL WIRING	1	XSB - Emergency stop
5	333294	SCREW T25 AR.18ESTR.M 6X15 INOX	5	
6	14972863	SCREEN SECURING SUPPORT	1	
7	328245	PAN HEAD SCREW T25 AR.18ESTR.M 6X10	2	

## Vended Control panel assembly

Figure 15



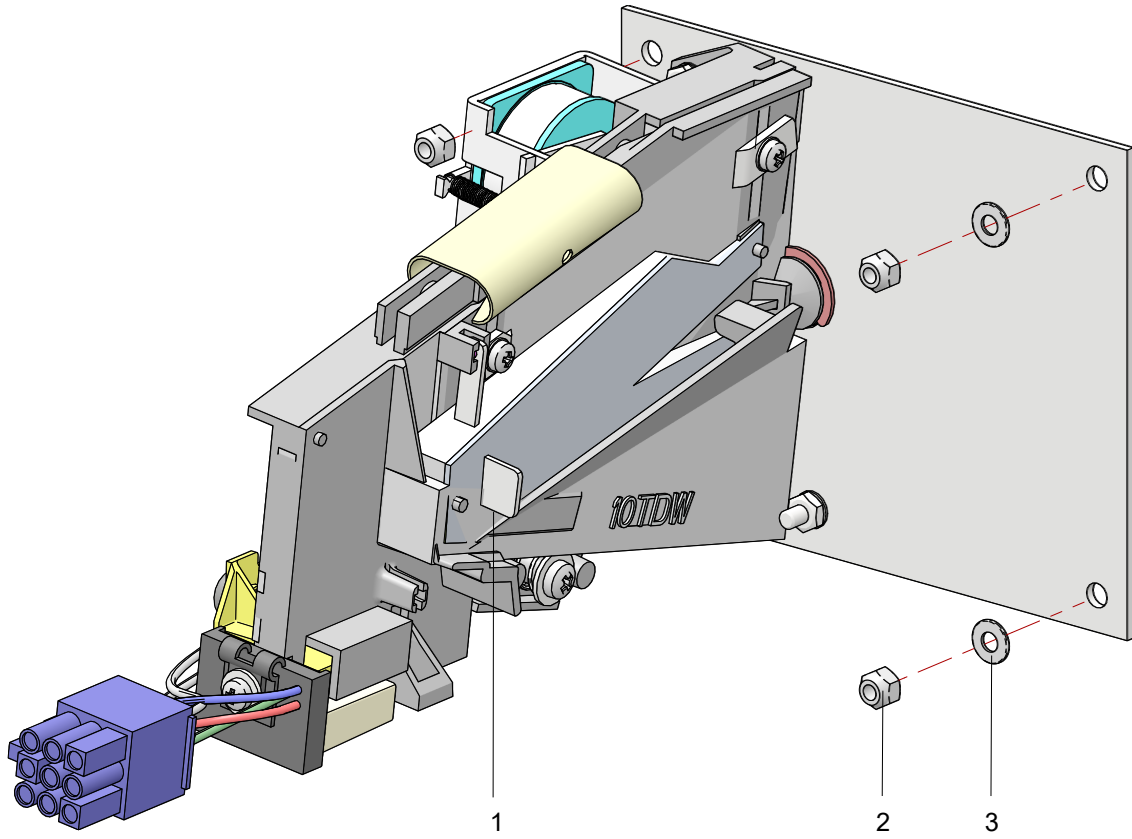
Item No.	Part Number	Part Name	Qty	Remarks
1	10243046	USB DUMMY TOP	1	
2	15761752	ASSY. OPL CONTROL PANEL INOX	1	[Stainless steel]
2	15761760	ASSY. OPL CONTROL PANEL TPC	1	[Precoated]
2a	196915	LOCK REF 20.00.02.05	2	
2b	10522233	EPDM PROFILE L=724	1	
3	15761786	ASSY CONTROL PANEL INOX WO COINMETER	1	[Stainless steel][Without Coin Meter]
3	15761778	ASSY CONTROL PANEL TPC WO COINMETER	1	[Precoated][Without Coin Meter]
4	15761877	ASSY CONTROL PANEL INOX COINMETER	1	[Stainless steel][With Coin Meter]
4	15761869	ASSY CONTROL PANEL TPC COINMETER	1	[Precoated][With Coin Meter]
5	10042943	GS7 PANELLLED	1	(A1,A2)
6	10192664	ASSY COIN BOX	1	
6a	591586	COIN BOX UG800C	1	
6b	10090298	SUPPORT	1	
6c	590570	COIN BOX SUPPORT	1	



Item No.	Part Number	Part Name	Qty	Remarks
6d	149476	WASHER DIN 125B M4 TRIVALENT	4	
6e	132043	SELF-LOCKING NUT DIN-985 8 M4 TRIVALENT	4	
6f	333294	SCREW T25 AR.18ESTR.M 6X15 INOX	4	
7	10222354	ASSY ELECTRONIC COIN SEL. TKN 147710	1	(B7)[TKN]
7	10222362	ASSY ELECTRONIC COIN SELECTOR AUD	1	(B7)[AUD]
7	10222388	ASSY ELECTRONIC COIN SELECTOR CAD	1	(B7)[CAD]
7	10222339	ASSY ELECTRONIC COIN SELECTOR EUR	1	(B7)[EUR]
7	10222529	ASSY ELECTRONIC COIN SELECTOR ILS	1	(B7)[ILS]
7	10222586	ASSY ELECTRONIC COIN SELECTOR INR+TKN	1	(B7)[INR+TKN]
7	10222479	ASSY ELECTRONIC COIN SELECTOR ISK	1	(B7)[ISK]
7	10222461	ASSY ELECTRONIC COIN SELECTOR JPY	1	(B7)[JPY]
7	10222578	ASSY ELECTRONIC COIN SELECTOR MYR	1	(B7)[MYR]
7	10222552	ASSY ELECTRONIC COIN SELECTOR SGD	1	(B7)[SGD]
7	10222453	ASSY. ELECTRONIC COIN SELECTOR USD	1	(B7)[USD]
7a	10431864	B7 - XCB ELECTRICAL WIRING	1	Coin detector - XCB
8	10222602	ASSY COIN METER 0.25USD	1	(B6) [0.25USD]
8	10222610	ASSY COIN METER 10NTD	1	(B6) [10NTD]
8	10222628	ASSY. COIN METER 500KRW	1	(B6) [500KRW]
9	10215572	XSB ELECTRICAL WIRING	1	
10	333294	SCREW T25 AR.18ESTR.M 6X15 INOX	5	
11	14972863	SCREEN SECURING SUPPORT	1	
12	328245	PAN HEAD SCREW T25 AR.18ESTR.M 6X10	2	

### Mechanical coin meter assembly [10222602] [10222610] [10222628]

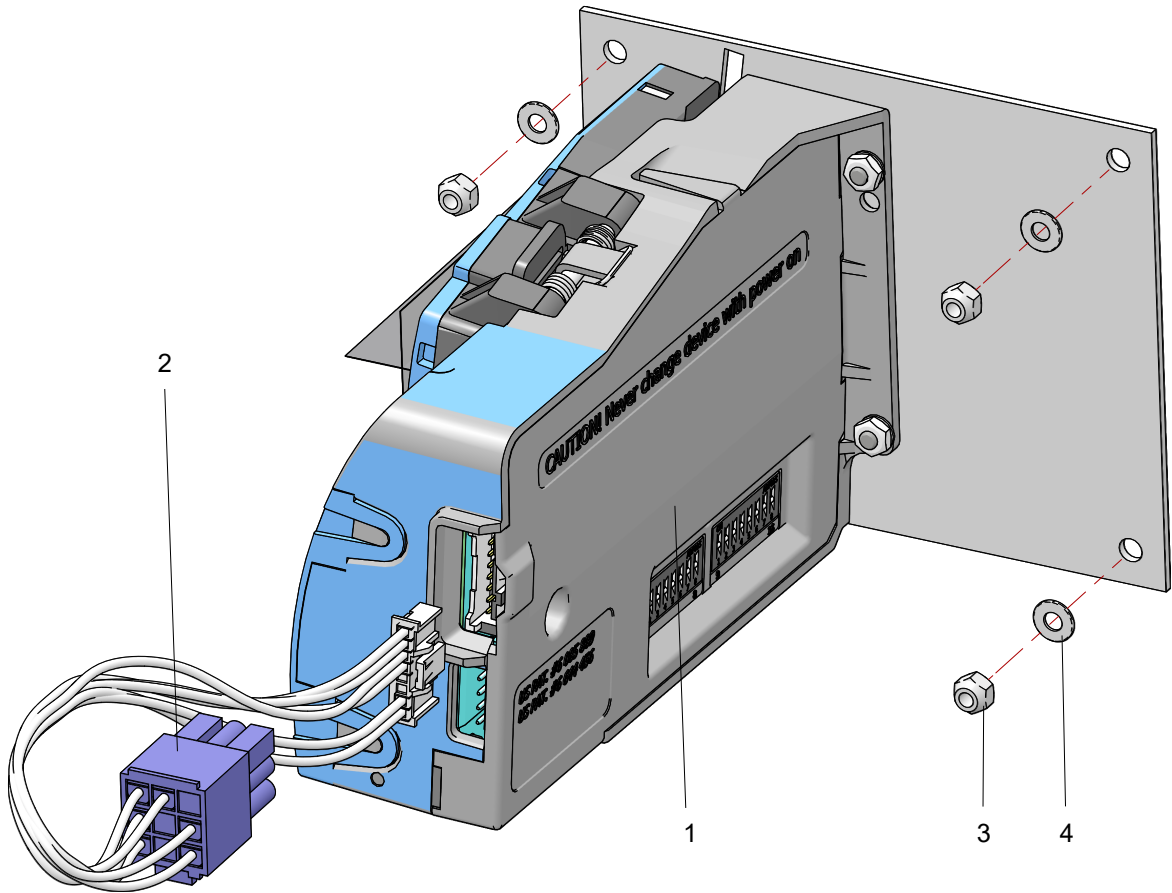
Figure 16



Item No.	Part Number	Part Name	Qty	Remarks
1	10122026	COIN METER 0.25USD	1	[0.25USD]
1	10121952	COIN METER 10NTD	1	[10NTD]
1	10122000	COIN METER 500 KRW	1	[500KRW]
2	129692	SELF-LOCKING NUT DIN-985 8 M3 TRIVALENT	4	
3	149484	WASHER DIN 125B M3 TRIVALENT	4	

**Electronic coin meter assembly [10222354] [10222362] [10222388]  
 [10222339] [10222529] [10222586] [10222479] [10222461] [10222578]  
 [10222552] [10222453]**

Figure 17



Item No.	Part Number	Part Name	Qty	Remarks
1	10338804	ELECTRONIC COIN SELECTOR AUD	1	[AUD]
1	10043982	ELECTRONIC COIN SELECTOR CAD	1	[CAD]
1	10043214	ELECTRONIC COIN SELECTOR ILS	1	[ILS]
1	10043354	ELECTRONIC COIN SELECTOR INR + TKN 147710	1	[INR+TKN]
1	10043636	ELECTRONIC COIN SELECTOR ISK	1	[ISK]
1	10043859	ELECTRONIC COIN SELECTOR JPY	1	[JPY]
1	10040376	ELECTRONIC COIN SELECTOR MYR	1	[MYR]
1	10040764	ELECTRONIC COIN SELECTOR SGD	1	[SGD]
1	10042398	ELECTRONIC COIN SELECTOR TKN 147710	1	[TKN]
1	10043909	ELECTRONIC COIN SELECTOR USD	1	[USD]
1	10415198	ELECTRONIC COIN SELECTOR EUR	1	[EUR]
2	10431864	B7 - XCB ELECTRICAL WIRING	1	



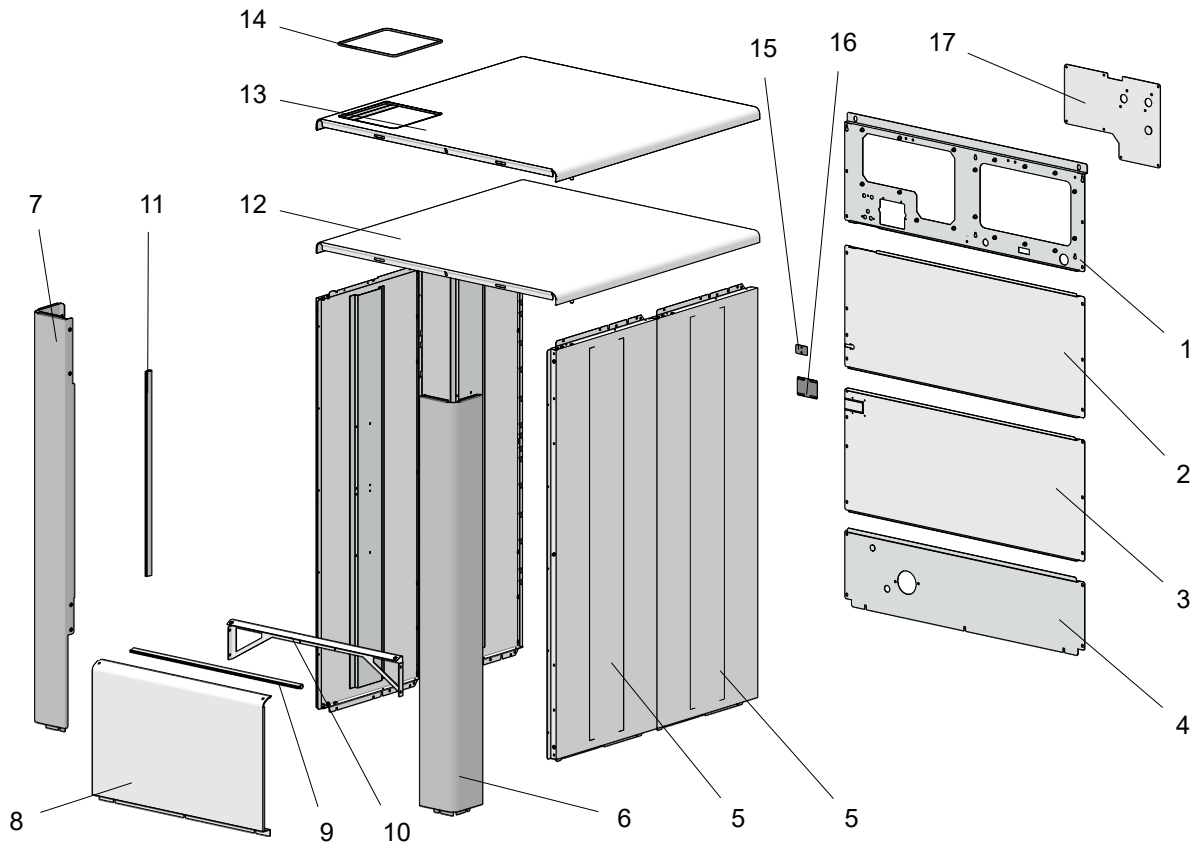
Item No.	Part Number	Part Name	Qty	Remarks
3	129692	SELF-LOCKING NUT DIN-985 8 M3 TRIVALENT	4	
4	149484	WASHER DIN 125B M3 TRIVALENT	4	



# CABINET

### Cabinet and covers assembly

Figure 18



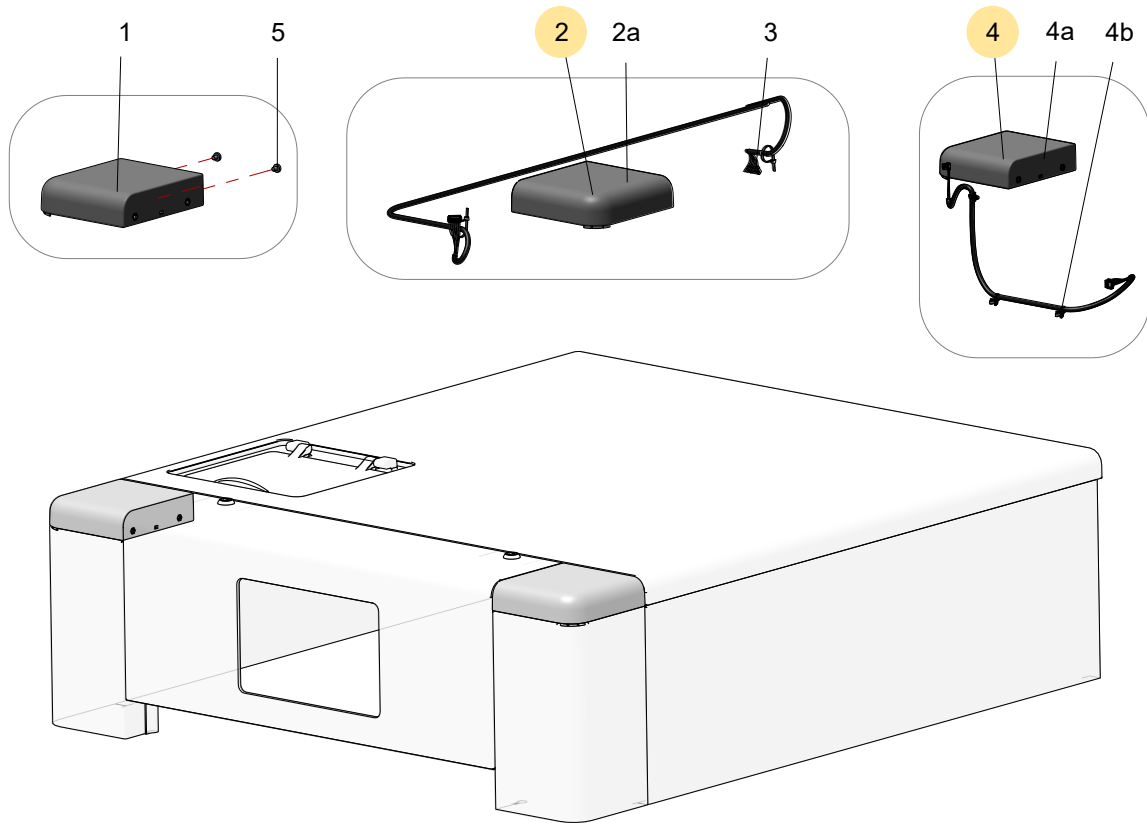
Item No.	Part Number	Part Name	Qty	Remarks
1	11127396	REAR PANEL	1	
2	11081023	1 REAR COVER	1	
3	11081056	2 REAR COVER	1	
4	10245249	REAR COVER SHEET METAL	1	
5	11119906	SIDE COVER ASSEMBLY	4	[Pre-coated]
5	11134236	SIDE COVER ASSEMBLY	4	[Inox]
6	10028017	RIGHT COLUMN GROUP	1	[Painted]
6	10028132	RIGHT COLUMN GROUP	1	[Inox]
7	10025369	LEFT COLUMN GROUP	1	[Inox]
7	10028355	LEFT COLUMN GROUP	1	[Painted]
8	10028629	FRONT COVER ASSEMBLY	1	[Inox]
8	10028827	FRONT COVER ASSEMBLY	1	[Pre-coated]
9	10522233	EPDM PROFILE L=724	1	
10	10080893	FRONT COVER SECURING SUPPORT	1	
11	10521102	EPDM PROFILE L=699	2	
12	14527329	TOP COVER	1	[Inox]



Item No.	Part Number	Part Name	Qty	Remarks
12	14526990	TOP COVER	1	[Pre-coated]
13	11077161	TOP COVER	1	[Pre-coated] [With Dispenser]
13	11122991	TOP COVER	1	[Inox] [With Dispenser]
14	165472	EPDM PROFILE	1	
15	607580	STEAM PROTECCION SHEET	1	
16	608034	STEAM INLET COVER	1	
17	11028636	REAR PANEL	1	

### Corner assembly

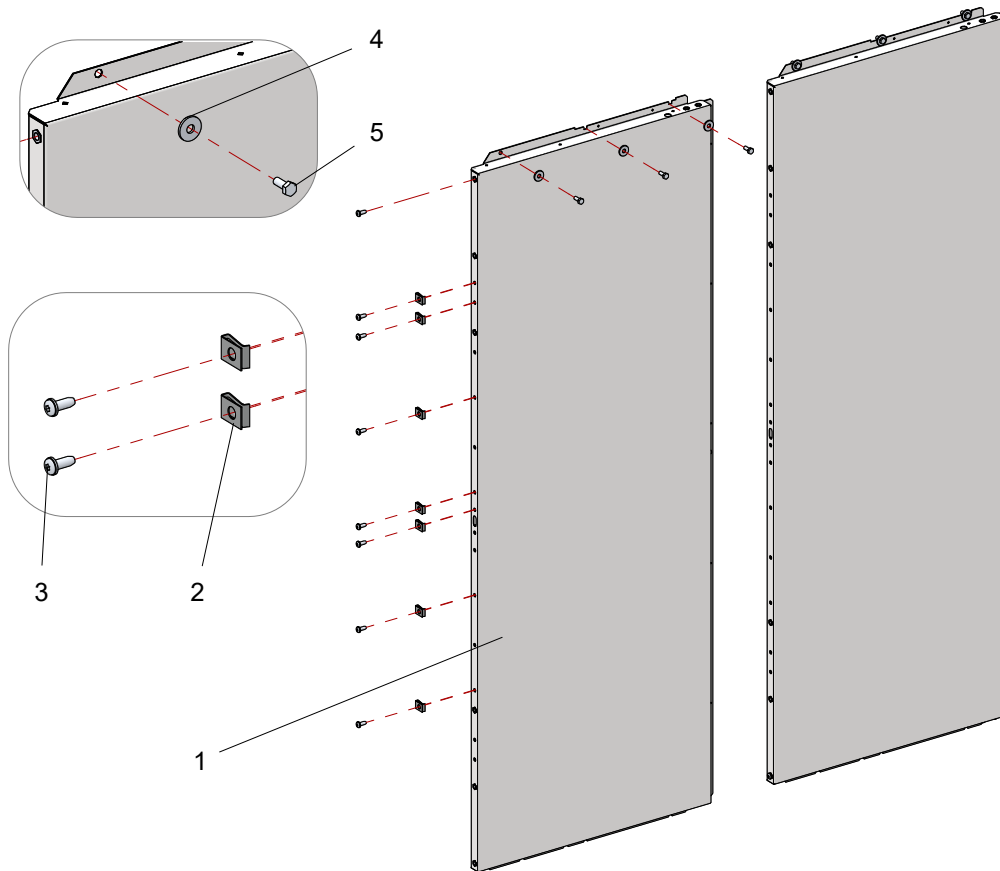
Figure 19



Item No.	Part Number	Part Name	Qty	Remarks
1	10101145	CORNER COVER	1	[No LED]
2	10369510	LED MODULE L	1	[LED]
2a	10369478	CORNER COVER	1	[LED]
3	10114171	A1-X25 A8 ELECTRICAL WIRING	1	[LED]
4	10363141	SAPPHIRE CONNECTIVITY MODULE L	1	[Sapphire Connectivity Module]
4a	10101145	CORNER COVER	1	[Sapphire Connectivity Module]
4b	10443687	A1-X20 A6 ELECTRICAL WIRING	1	[Sapphire Connectivity Module]
5	10371219	SCREW DIN7985 T25 M 5X6 INOX	4	

## Side cover assembly

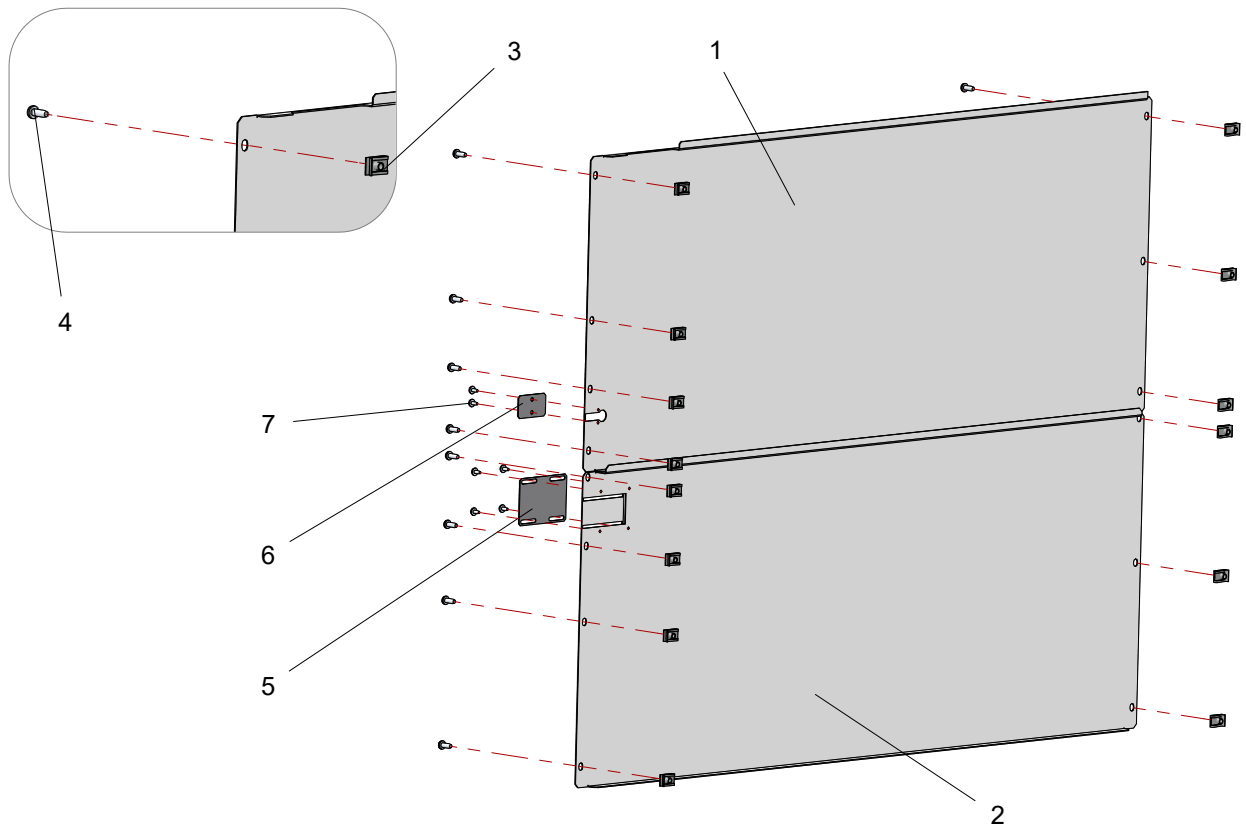
Figure 20



Item No.	Part Number	Part Name	Qty	Remarks
1	11119906	SIDE COVER ASSEMBLY	2	[Precoated]
1	11134236	SIDE COVER ASSEMBLY	2	[Inox]
2	332114	CHIMNEY NUT TRT M6-1	14	
3	333294	SCREW T25 AR.18ESTR.M 6X15 INOX	16	
4	115758	WASHER $\varnothing 20 \times \varnothing 7 \times 2$ A2	6	
5	144881	HEX SCREW DIN-933 A2-70 M6x16	6	

## Upper rear and middle rear covers assembly

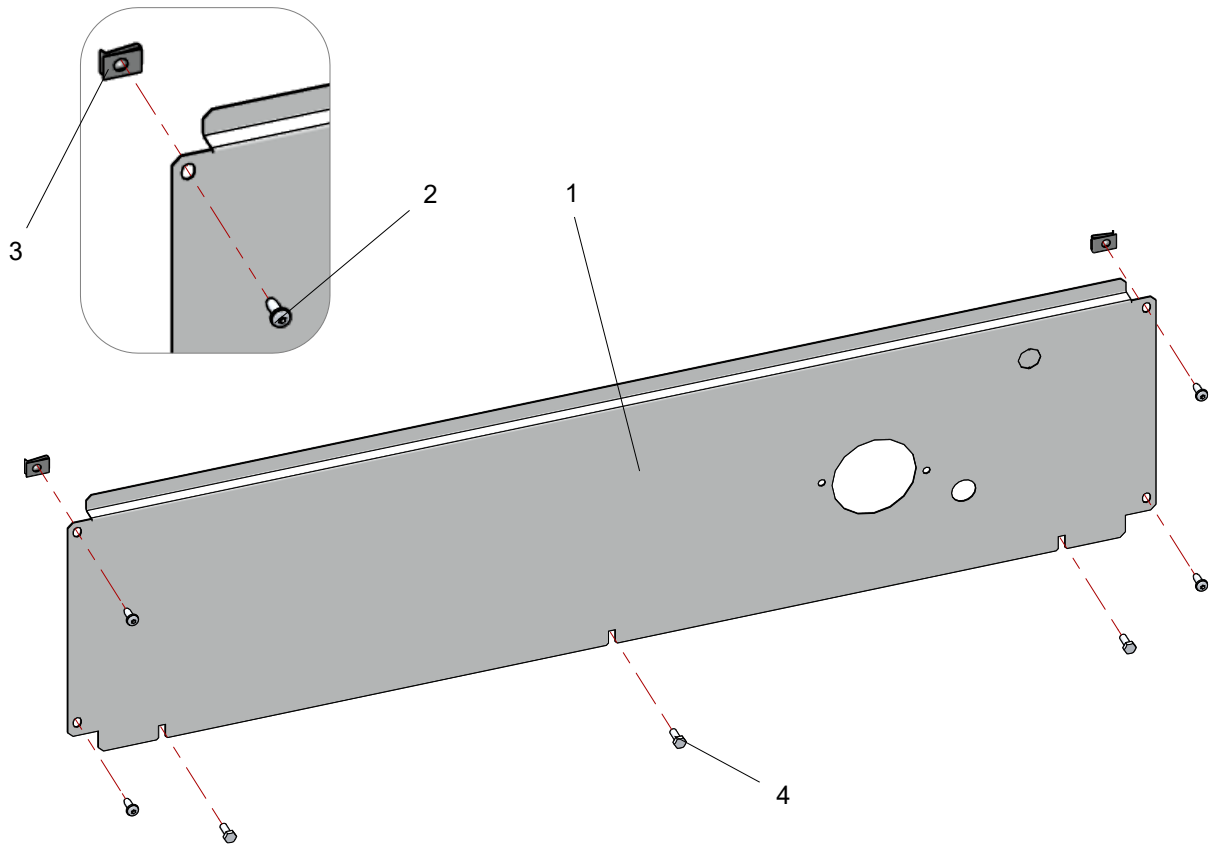
Figure 21



Item No.	Part Number	Part Name	Qty	Remarks
1	11081023	1 REAR COVER	1	
2	11081056	2 REAR COVER	1	
3	332114	CHIMNEY NUT TRT M6-1	14	
4	333294	SCREW T25 AR.18ESTR.M 6X15 INOX	14	
5	608034	STEAM INLET COVER	1	
6	607580	STEAM PROTECCION SHEET	1	
7	183400	PLATE SCREW M4x12 T25	6	

## Lower rear cover assembly

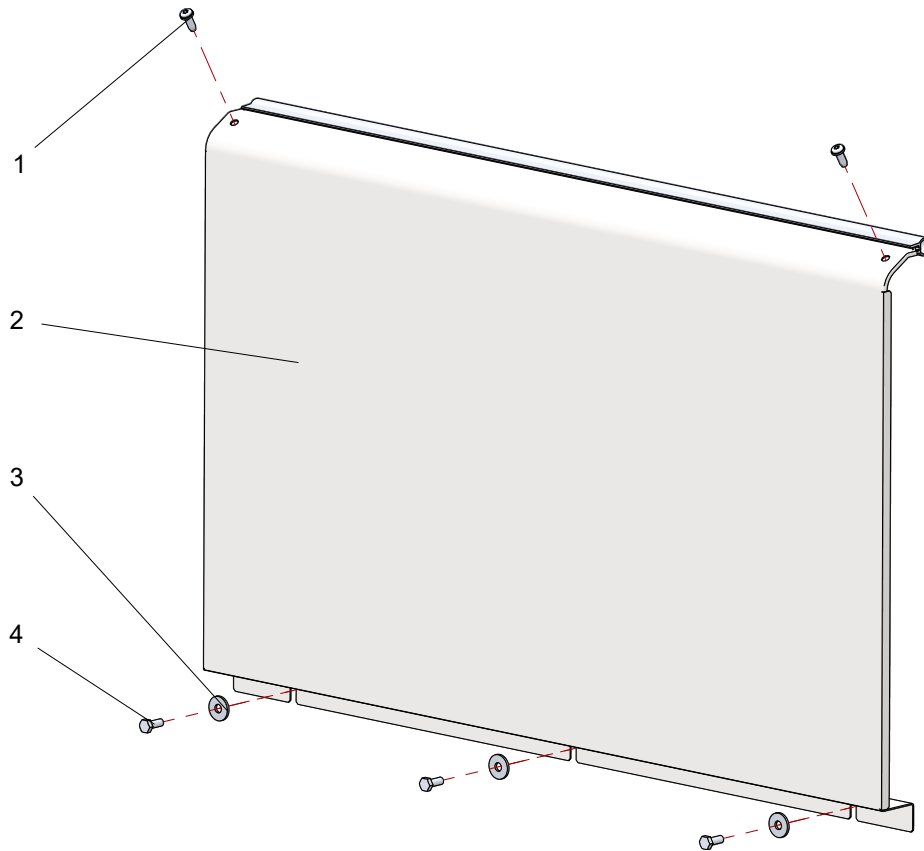
Figure 22



Item No.	Part Number	Part Name	Qty	Remarks
1	10245249	REAR COVER SHEET METAL	1	
2	333294	SCREW T25 AR.18ESTR.M 6X15 INOX	4	
3	332114	CHIMNEY NUT TRT M6-1	2	
4	144881	HEX SCREW DIN-933 A2-70 M6x16	3	

## Front cover assembly

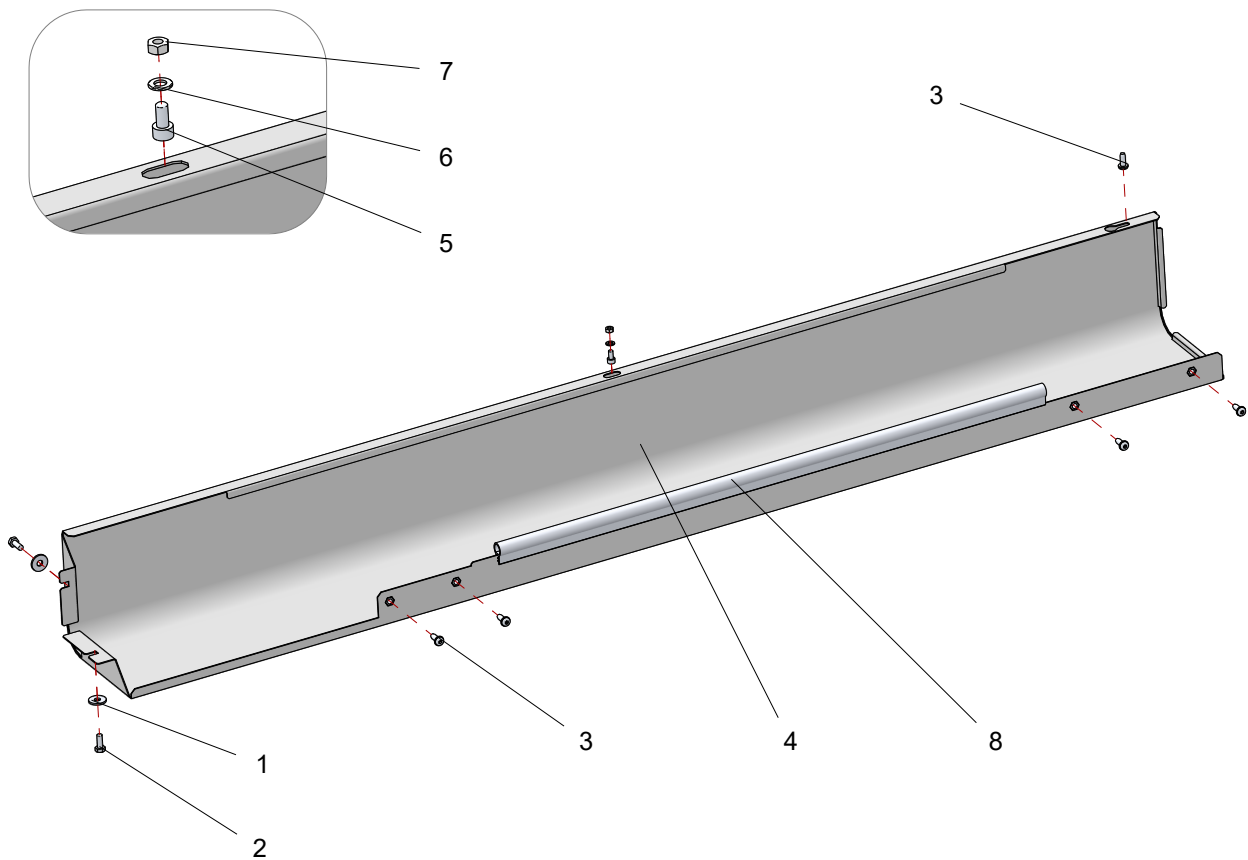
Figure 23



Item No.	Part Number	Part Name	Qty	Remarks
1	333294	SCREW T25 AR.18ESTR.M 6X15 INOX	2	
2	10028629	FRONT COVER ASSEMBLY	1	[Inox]
2	10028827	FRONT COVER ASSEMBLY	1	[Precoated]
3	115758	WASHER $\varnothing 20 \times \varnothing 7 \times 2$ A2	3	
4	144881	HEX SCREW DIN-933 A2-70 M6x16	3	

## Columnne assembly

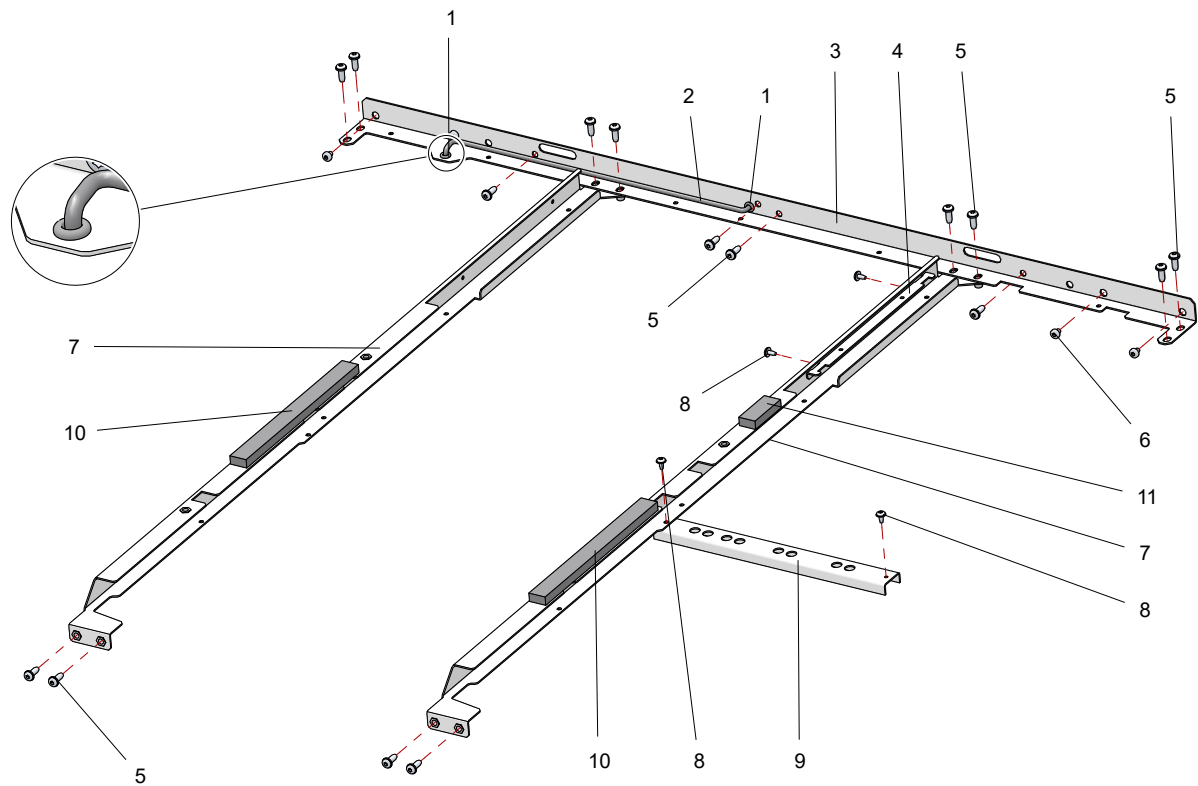
Figure 24



Item No.	Part Number	Part Name	Qty	Remarks
1	115758	WASHER $\varnothing 20 \times \varnothing 7 \times 2$ A2	2	
2	144881	HEX SCREW DIN-933 A2-70 M6x16	2	
3	333294	SCREW T25 AR.18ESTR.M 6X15 INOX	5	
4	10025369	LEFT COLUMN GROUP	1	[Inox]
4	10028355	LEFT COLUMN GROUP	1	[Pre-coated]
4	10028017	RIGHT COLUMN GROUP	1	[Pre-coated]
4	10028132	RIGHT COLUMN GROUP	1	[Inox]
5	144261	ALLEN SCREW DIN-912 8,8 M5x10 TRIVALENT	1	
6	149534	WASHER DIN 125B M5 TRIVALENT	1	
7	150177	HEX NUT DIN-934 8 M5 TRIVALENT	1	
8	10521102	EPDM PROFILE L=699	1	

## Upper cover support profiles assembly

Figure 25



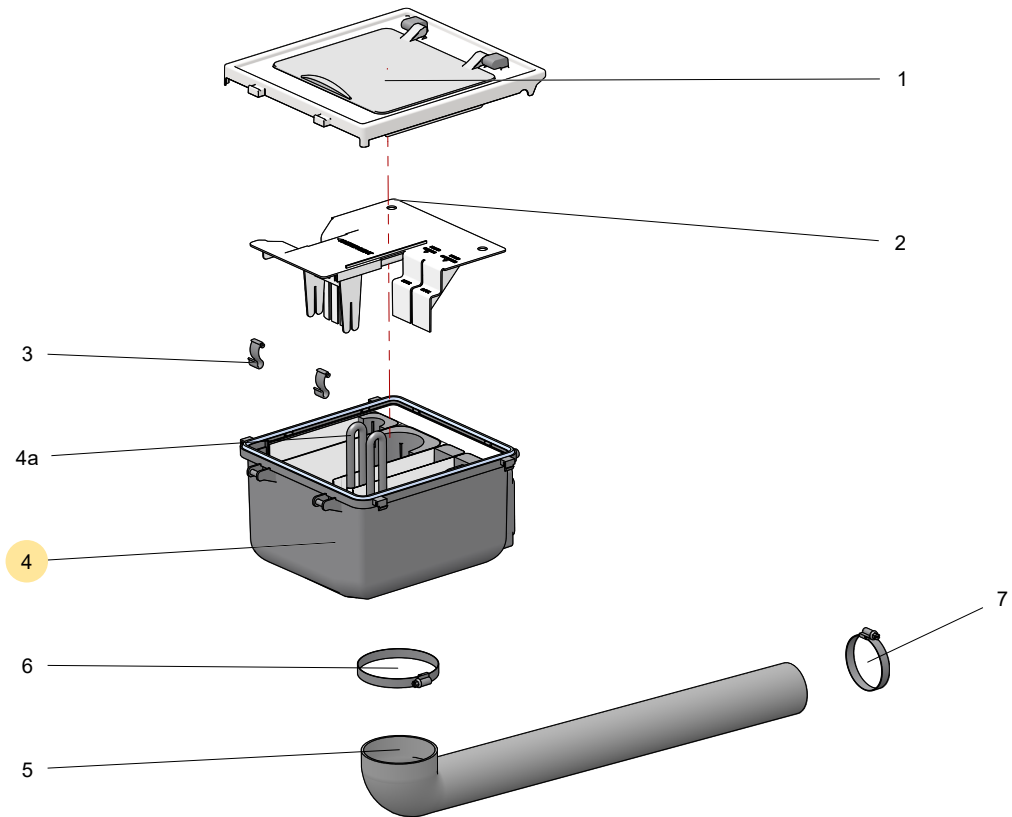
Item No.	Part Number	Part Name	Qty	Remarks
1	10534246	WALL BUSHING	2	
2	10032332	ROD HS	1	
3	11081460	SECURING PROFILE	1	
4	11751500	SUPPORT PLATE	1	
5	333294	SCREW T25 AR.18ESTR.M 6X15 INOX	16	
6	10371219	SCREW DIN7985 T25 M 5X6 INOX	4	
7	11081080	SUPPORT PROFILE	2	
8	183400	PLATE SCREW M4x12 T25	4	
9	10254993	SECURING PROFILE	1	
10	10151140	COVER PROFILE	2	
11	11218963	COVER PROFILE	1	



# DISPENSER

## Dispenser assembly

Figure 26



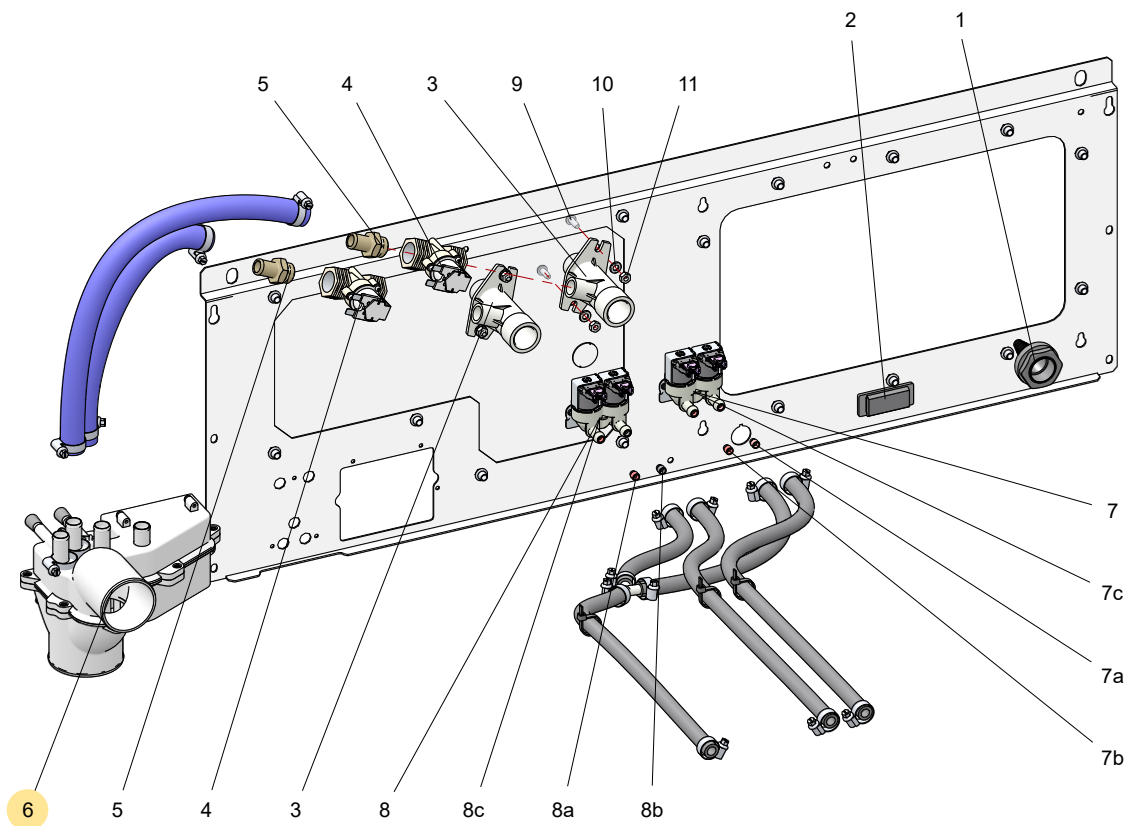
Item No.	Part Number	Part Name	Qty	Remarks
1	10629574	DISPENSERS COVER	1	[3 box]
1	10629616	DISPENSERS COVER	1	[4 box]
2	344101	SOAP DOSING INSERT	1	[3 box] [Vended USA]
3	10512903	LOCK HOOK	2	
4	511584	DISPENSER ASSEMBLY	1	
4a	339598	ASPIRATION HOSE	2	
5	597914	RUBBER BEND 634 X 60	1	
6	132340	HOSE CLAMP W2 Ø80-100	1	
7	132290	HOSE CLAMP W2 Ø50-70	1	



# REAR PANEL

## Rear panel assembly, 3 compartments

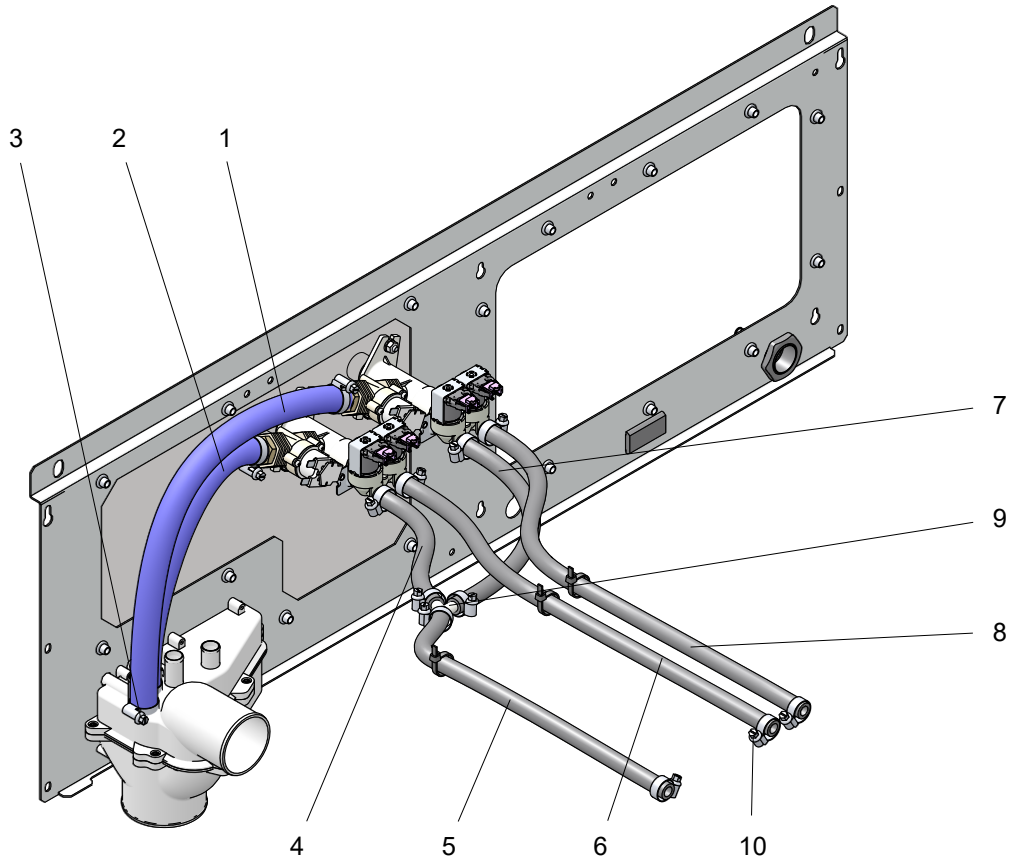
Figure 27



Item No.	Part Number	Part Name	Qty	Remarks
1	10492676	PYRAMID M32 CABLE ENTRY	1	
2	10497642	CABLE INPUT MEMBRANE 46x18	1	
3	333682	ELECTROVALVE BRACKET	2	
4	10241263	SOLENOID VALVE 1 WAY 1/2"	2	
5	333690	FITTING 243 MI DE 1/2" BRASS	2	
6	17216193	ASSY. DISTRIBUTOR	1	
7	10134138	2-WAY SOLENOID VALVE	1	
7a	510933	REGULATOR 4L/MIN (LIGHT RED)	1	
7b	156257	REGULATOR 8L/MIN (RED)	1	
7c	10268431	TWO-WAY ELECTROVALVE BODY	1	
8	10134260	2-WAY SOLENOID VALVE	1	
8a	156257	REGULATOR 8L/MIN (RED)	1	
8b	156265	REGULATOR 3L/MIN (BLACK)	1	
8c	10268431	TWO-WAY ELECTROVALVE BODY	1	
9	333294	SCREW T25 AR.18ESTR.M 6X15 INOX	4	
10	149310	WASHER DIN 125B M6 A2	4	
11	149971	HEX NUT DIN-934 A2-70 M6	4	

## Rear panel assembly, 3 compartments- Hoses

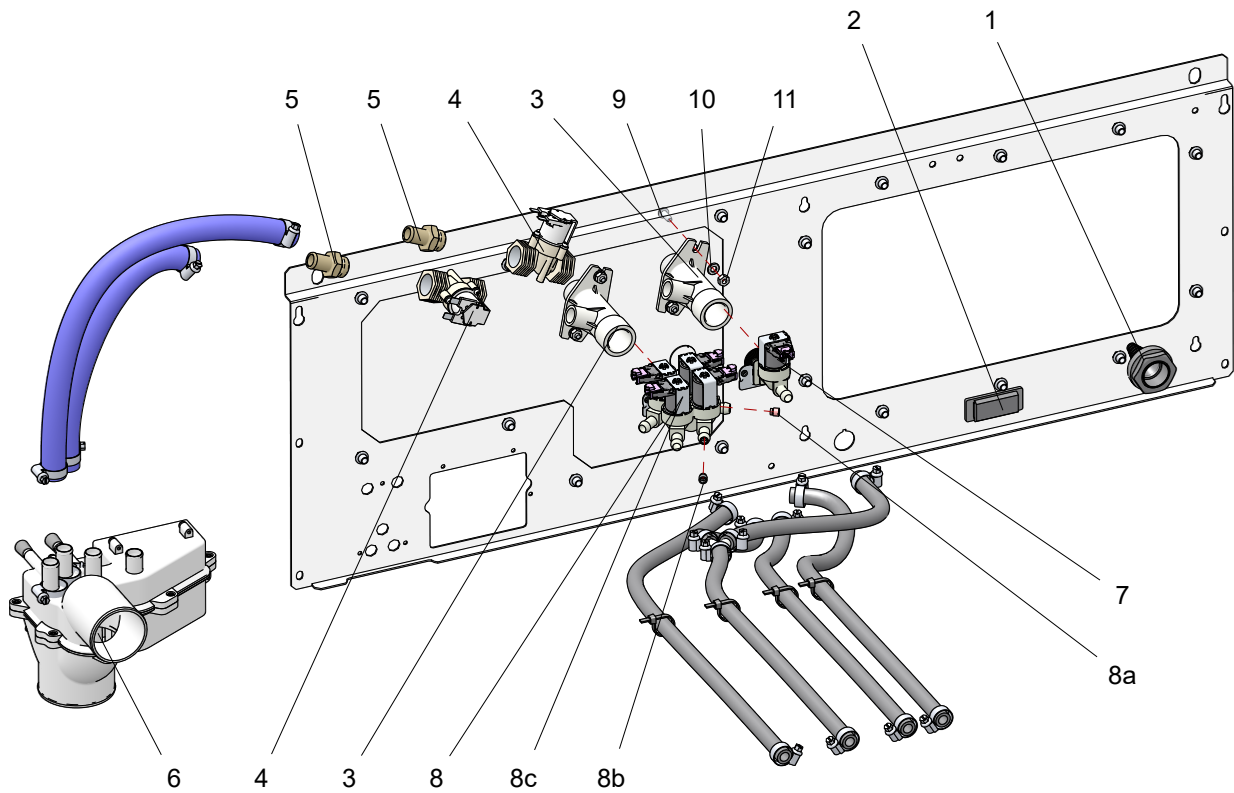
Figure 28



Item No.	Part Number	Part Name	Qty	Remarks
1	10367589	WATER INLET HOSE INNØ15xOUTØ25 x L450mm	1	
2	427211	WATER INLET HOSE INNØ15xOUTØ25 x L300mm	1	
3	156109	HOSE CLAMP W2 Ø16-27	4	
4	427187	WATER INLET HOSE INNØ10xOUTØ16 x L250mm	1	
5	116608	WATER INLET HOSE INNØ10xOUTØ16 x L450mm	1	
6	211771	WATER INLET HOSE INNØ10xOUTØ16 x L660mm	1	
7	11206497	WATER INLET HOSE INNØ10xOUTØ16 x L370mm	1	
8	116632	WATER INLET HOSE INNØ10xOUTØ16 x L700mm	1	
9	152165	BRANCH	1	
10	155150	HOSE CLAMP W2 Ø8-16	10	

## Rear panel assembly, 4 compartments

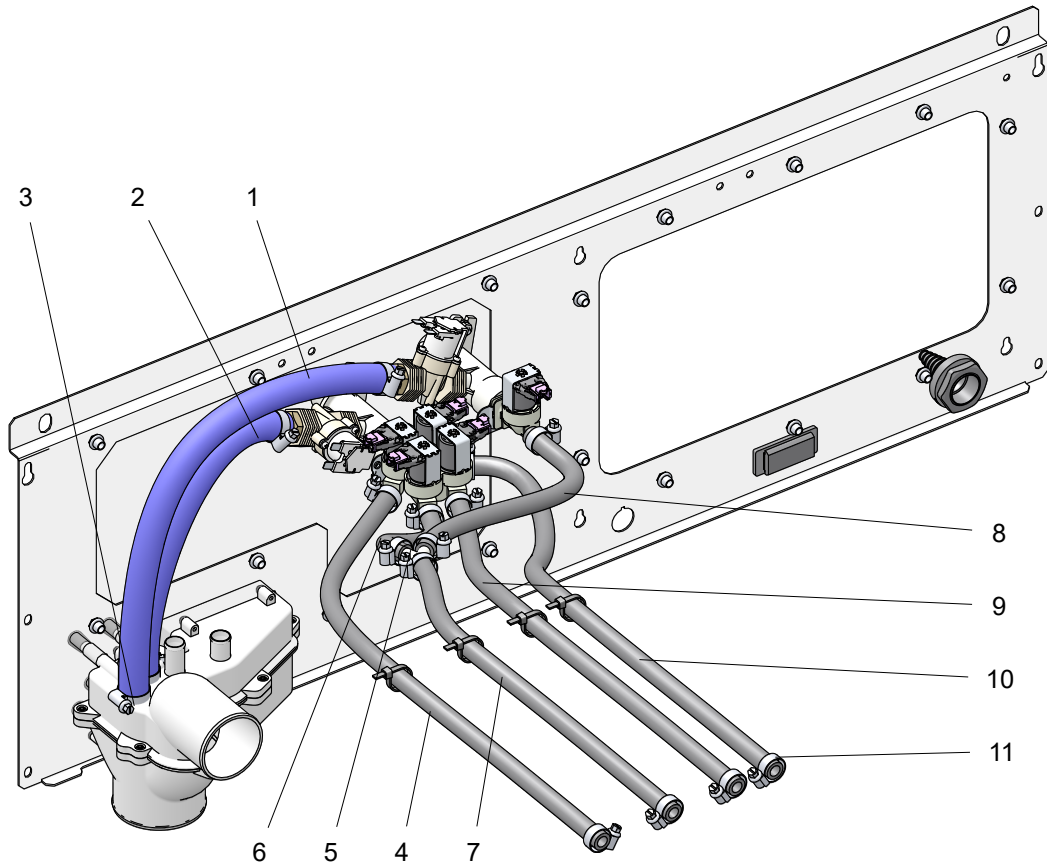
Figure 29



Item No.	Part Number	Part Name	Qty	Remarks
1	10492676	PYRAMID M32 CABLE ENTRY	1	
2	10497642	CABLE INPUT MEMBRANE 46x18	1	
3	333682	ELECTROVALVE BRACKET	2	
4	10241263	SOLENOID VALVE 1 WAY 1/2"	2	(Y1,Y2)
5	333690	FITTING 243 MI DE 1/2" BRASS	2	
6	17216193	ASSY. DISTRIBUTOR	1	
7	10268597	SOLENOID VALVE 1 WAY 3/4"	1	(Y6)
8	11245925	4-WAY SOLENOID VALVE	1	(Y4,Y5,Y6,Y7)
8a	510933	REGULATOR 4L/MIN (LIGHT RED)	1	
8b	156265	REGULATOR 3L/MIN (BLACK)	1	
8c	10268530	SOLENOID VALVE 4 WAY 3/4"	1	
9	333294	SCREW T25 AR.18ESTR.M 6X15 INOX	4	
10	149310	WASHER DIN 125B M6 A2	4	

## Rear panel assembly, 4 compartments - Hoses

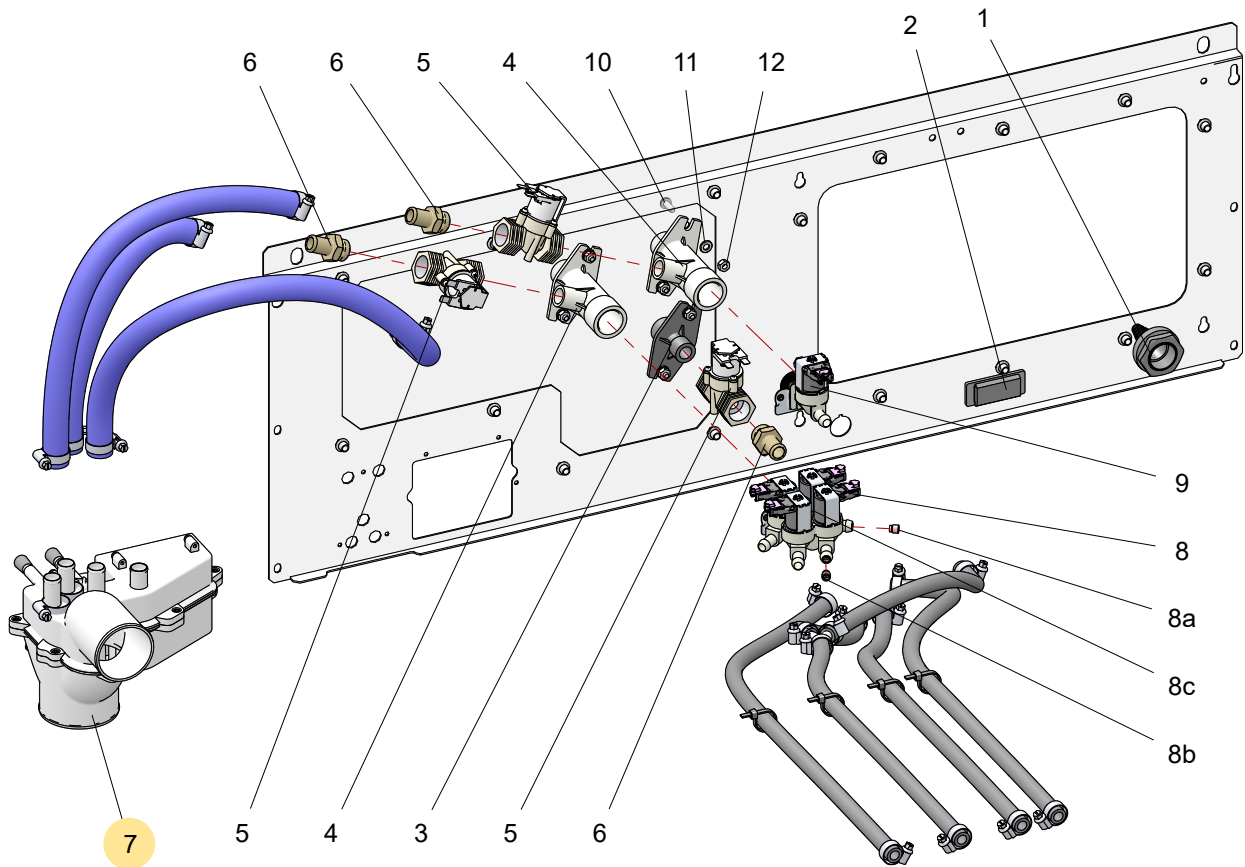
Figure 30



Item No.	Part Number	Part Name	Qty	Remarks
1	10367589	WATER INLET HOSE INNØ15xOUTØ25 x L450mm	1	
2	427211	WATER INLET HOSE INNØ15xOUTØ25 x L300mm	1	
3	156109	HOSE CLAMP W2 Ø16-27	4	
4	411140	WATER INLET HOSE INNØ10xOUTØ16 x L745mm	1	
5	152165	BRANCH	1	
6	433680	WATER INLET HOSE INNØ10xOUTØ16 x L100mm	1	
7	411389	WATER INLET HOSE INNØ10xOUTØ16 x L540mm	1	
8	432658	WATER INLET HOSE INNØ10xOUTØ16 x L280mm	1	
9	16127490	WATER INLET HOSE INNØ10xOUTØ16 x L640mm	1	
10	12064838	WATER INLET HOSE INNØ10xOUTØ16 x L710mm	1	
11	155150	HOSE CLAMP W2 Ø8-16	12	

## Rear panel assembly, 4 compartments, 3 water inlets

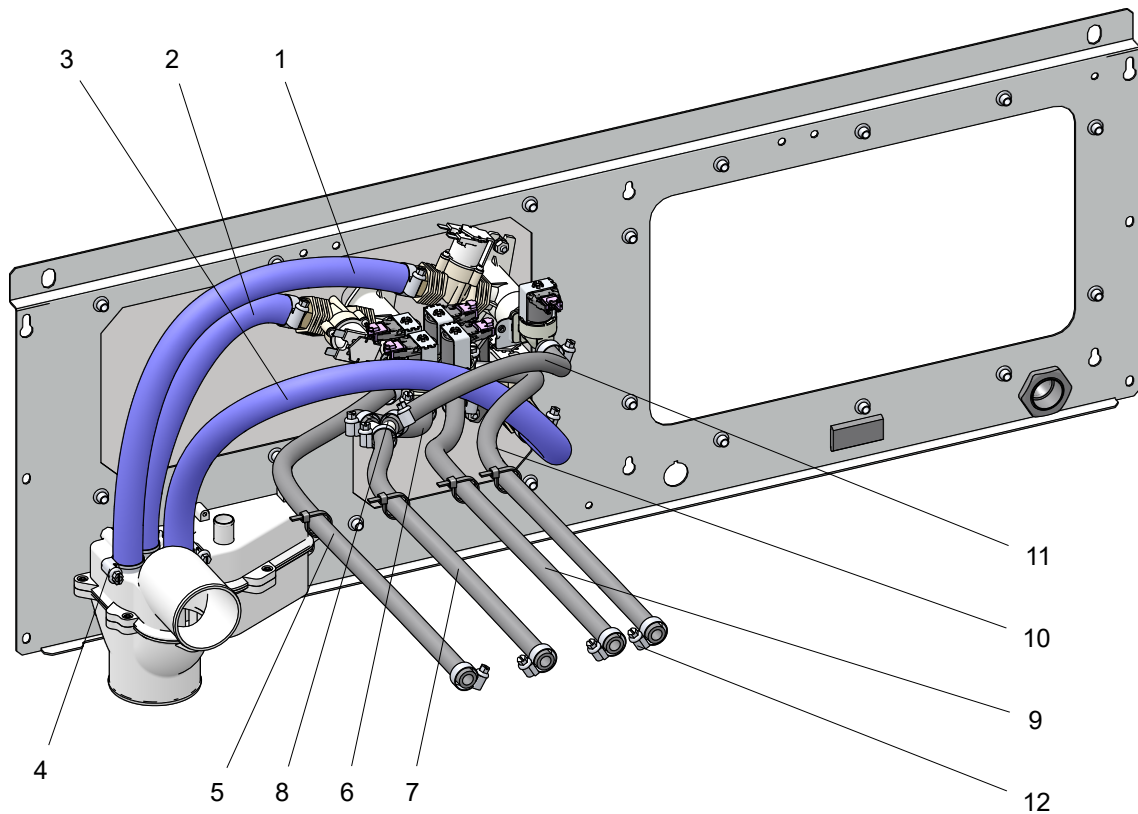
Figure 31



Item No.	Part Number	Part Name	Qty	Remarks
1	10492676	PYRAMID M32 CABLE ENTRY	1	
2	10497642	CABLE INPUT MEMBRANE 46x18	1	
3	338152	ELECTROVALVE BRACKET	1	
4	333682	ELECTROVALVE BRACKET	2	
5	10241263	SOLENOID VALVE 1 WAY 1/2"	3	(Y1,Y2,Y3)
6	333690	FITTING 243 MI DE 1/2" BRASS	3	
7	17216193	ASSY. DISTRIBUTOR	1	
8	11245925	4-WAY SOLENOID VALVE	1	(Y4,Y5,Y7,Y8)
8a	510933	REGULATOR 4L/MIN (LIGHT RED)	1	
8b	156265	REGULATOR 3L/MIN (BLACK)	1	
8c	10268530	SOLENOID VALVE 4 WAY 3/4"	1	
9	10268597	SOLENOID VALVE 1 WAY 3/4"	1	(Y6)
10	333294	SCREW T25 AR.18ESTR.M 6X15 INOX	6	
11	149310	WASHER DIN 125B M6 A2	6	
12	149971	HEX NUT DIN-934 A2-70 M6	6	

## Rear panel assembly, 4 compartments, 3 water inlets- Hoses

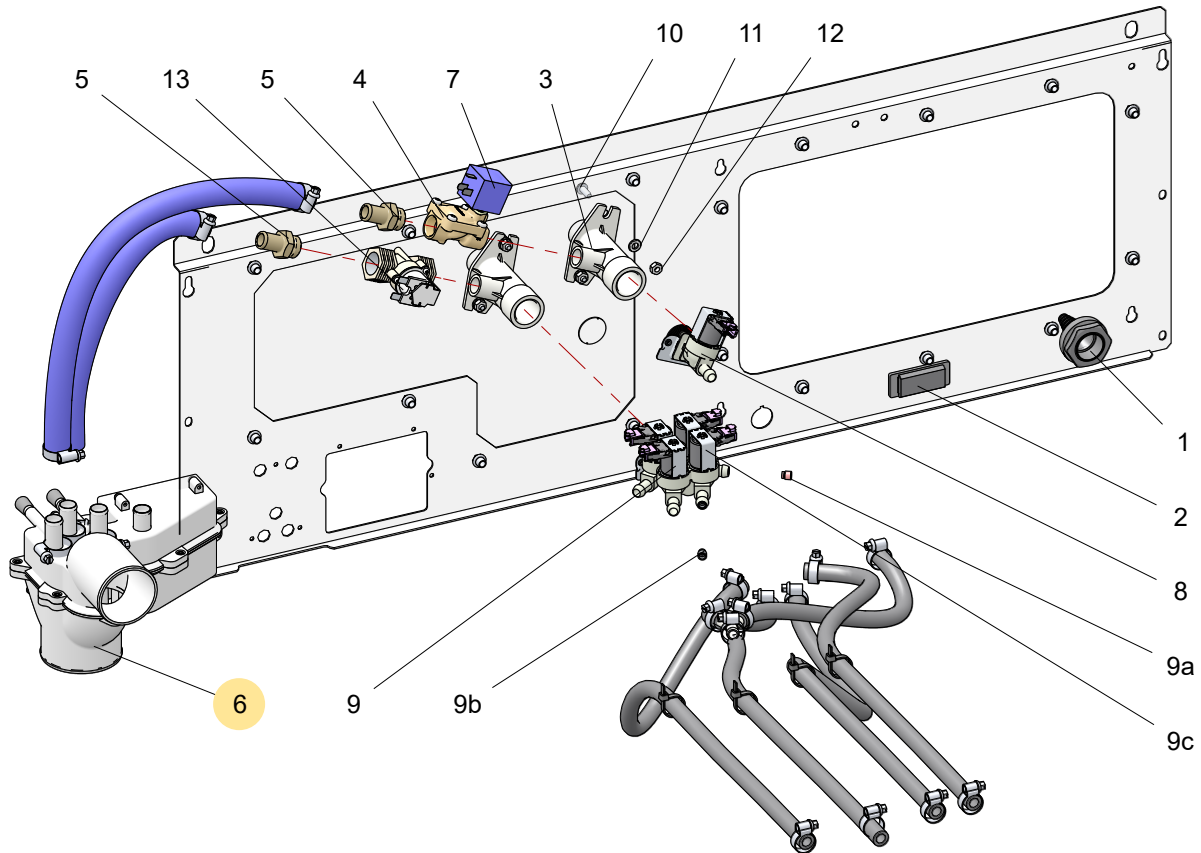
Figure 32



Item No.	Part Number	Part Name	Qty	Remarks
1	10367589	WATER INLET HOSE INNØ15xOUTØ25 x L450mm	1	
2	427211	WATER INLET HOSE INNØ15xOUTØ25 x L300mm	1	
3	11441540	WATER INLET HOSE INNØ15xOUTØ25 x L650mm	1	
4	156109	HOSE CLAMP W2 Ø16-27	6	
5	411140	WATER INLET HOSE INNØ10xOUTØ16 x L745mm	1	
6	433680	WATER INLET HOSE INNØ10xOUTØ16 x L100mm	1	
7	411363	WATER INLET HOSE INNØ10xOUTØ16 x L540mm	1	
8	152165	BRANCH	1	
9	16127490	WATER INLET HOSE INNØ10xOUTØ16 x L640mm	1	
10	116632	WATER INLET HOSE INNØ10xOUTØ16 x L700mm	1	
11	432658	WATER INLET HOSE INNØ10xOUTØ16 x L280mm	1	
12	155150	HOSE CLAMP W2 Ø8-16	12	

## Rear panel assembly, 4 compartments (WRAS)

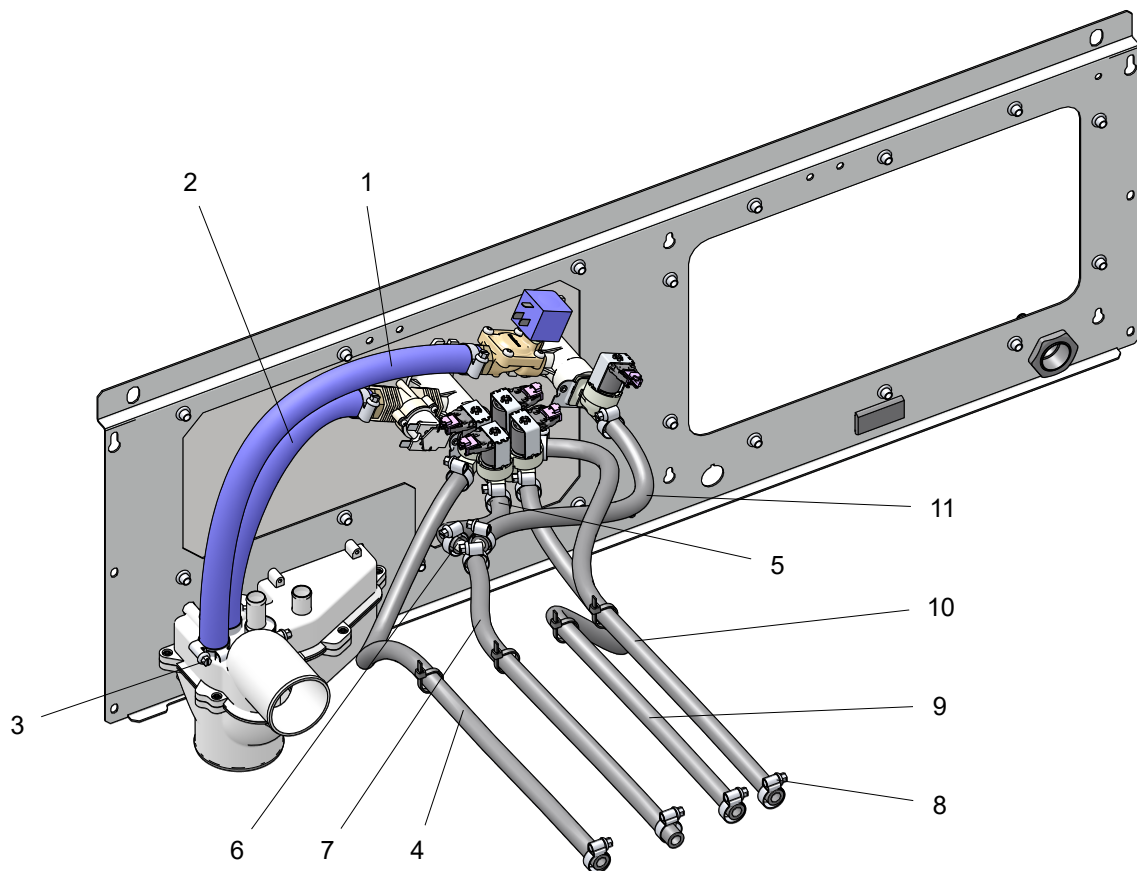
Figure 33



Item No.	Part Number	Part Name	Qty	Remarks
1	10492676	PYRAMID M32 CABLE ENTRY	1	
2	10497642	CABLE INPUT MEMBRANE 46x18	1	
3	333682	ELECTROVALVE BRACKET	2	
4	11498656	SOLENOID VALVE G1/2"	1	(Y1,Y2)
5	333690	FITTING 243 MI DE 1/2" BRASS	2	
6	17216193	ASSY. DISTRIBUTOR	1	
7	11617230	COIL 6W 12VCC	1	
8	10268597	SOLENOID VALVE 1 WAY 3/4"	1	(Y6)
9	11245925	4-WAY SOLENOID VALVE	1	(Y4,Y5,Y7,Y8)
9a	510933	REGULATOR 4L/MIN (LIGHT RED)	1	
9b	156265	REGULATOR 3L/MIN (BLACK)	1	
9c	10268530	SOLENOID VALVE 4 WAY 3/4"	1	
10	333294	SCREW T25 AR.18ESTR.M 6X15 INOX	4	
11	149971	HEX NUT DIN-934 A2-70 M6	4	
12	149310	WASHER DIN 125B M6 A2	4	
13	10241263	SOLENOID VALVE 1 WAY 1/2"	1	

## Rear panel assembly, 4 compartments (WRAS) - Hoses

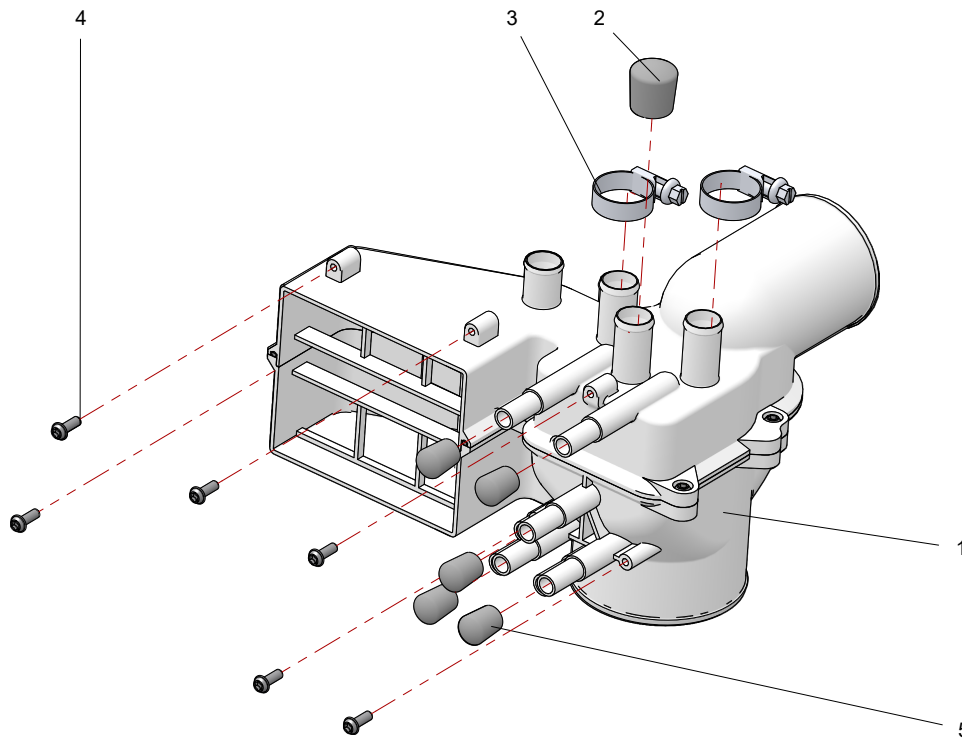
Figure 34



Item No.	Part Number	Part Name	Qty	Remarks
1	10367589	WATER INLET HOSE INNØ15xOUTØ25 x L450mm	1	
2	427211	WATER INLET HOSE INNØ15xOUTØ25 x L300mm	1	
3	156109	HOSE CLAMP W2 Ø16-27	4	
4	411132	WATER INLET HOSE INNØ10xOUTØ16 x L780mm	1	
5	432641	WATER INLET HOSE INNØ10xOUTØ16 x L190mm	1	
6	152165	BRANCH	1	
7	116608	WATER INLET HOSE INNØ10xOUTØ16 x L450mm	1	
8	155150	HOSE CLAMP W2 Ø8-16	12	
9	211771	WATER INLET HOSE INNØ10xOUTØ16 x L660mm	1	
10	116632	WATER INLET HOSE INNØ10xOUTØ16 x L700mm	1	
11	410621	WATER INLET HOSE INNØ10xOUTØ16 x L330mm	1	

### Distributor assembly [17216193]

Figure 35



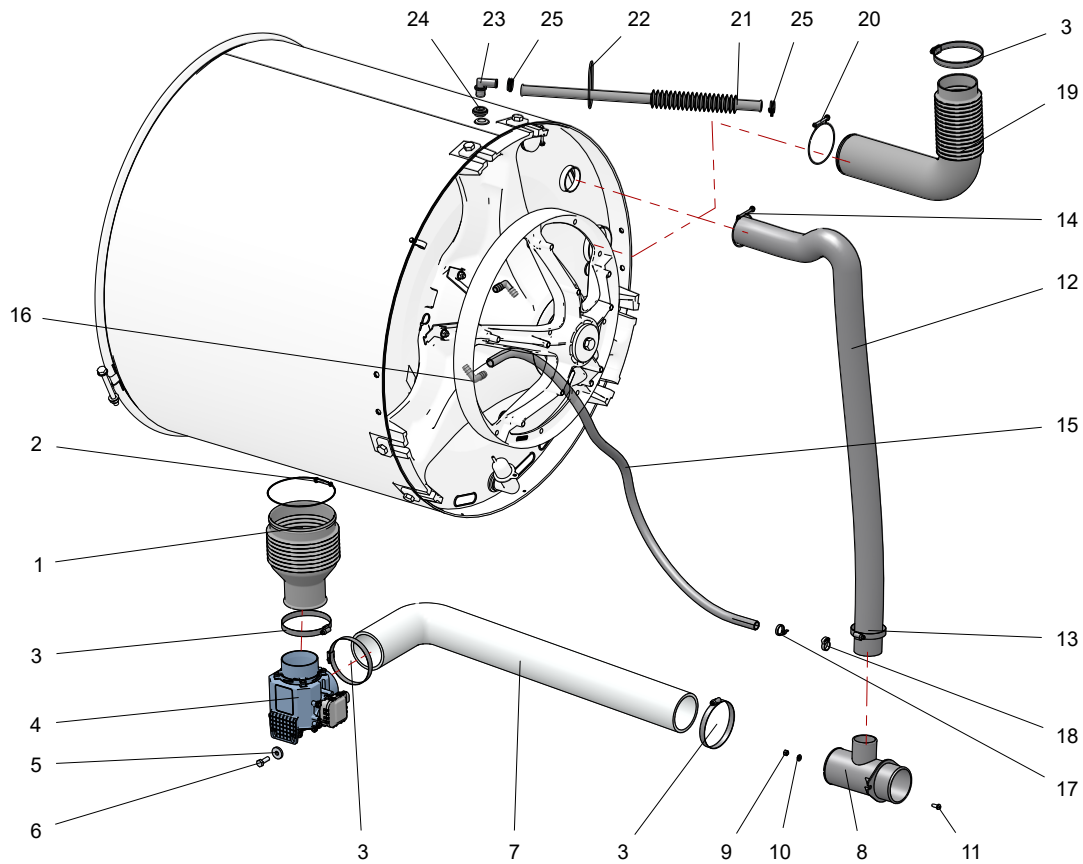
Item No.	Part Number	Part Name	Qty	Remarks
1	11622305	DISTRIBUTOR ASSEMBLY	1	
2	156687	ROUND FLEXIBLE FERRULE $\varnothing 16$	1	
3	156109	HOSE CLAMP W2 $\varnothing 16-27$	2	
4	326660	SCREW RFX87T A2 4x12	6	
5	156679	ROUND FLEXIBLE FERRULE $\varnothing 10$	5	



# DRAIN

## Drain assembly

Figure 36



Item No.	Part Number	Part Name	Qty	Remarks
1	333500	OUTER-DRUM DRAIN BELLOWS	1	
2	333450	WIRE HOSE CLAMP Ø140xØ130	1	
3	132340	HOSE CLAMP W2 Ø80-100	2	
4	689109	DRAIN G3-90	1	
5	261529	WASHER ø25xø8,5x4 TRIVALENT	2	
6	192849	HEX SCREW DIN-933 8,8 M8x25 TRIVALENT	2	
7	10186575	DRAIN HOSE	1	
8	333575	DRAIN SLEEVE	1	
9	335950	SELF-LOCKING NUT DIN-985 A2 M6	2	
10	149310	WASHER DIN 125B M6 A2	2	
11	333294	SCREW T25 AR.18ESTR.M 6X15 INOX	2	
12	611061	OVERFLOW PIPE	1	
13	132290	HOSE CLAMP W2 Ø50-70	1	
14	340505	WIRE HOSE CLAMP Ø58xØ50	1	
15	10020808	BEARING BOX DRAIN HOSE	1	
16	193904	HOSE ELBOW 3/8"	2	



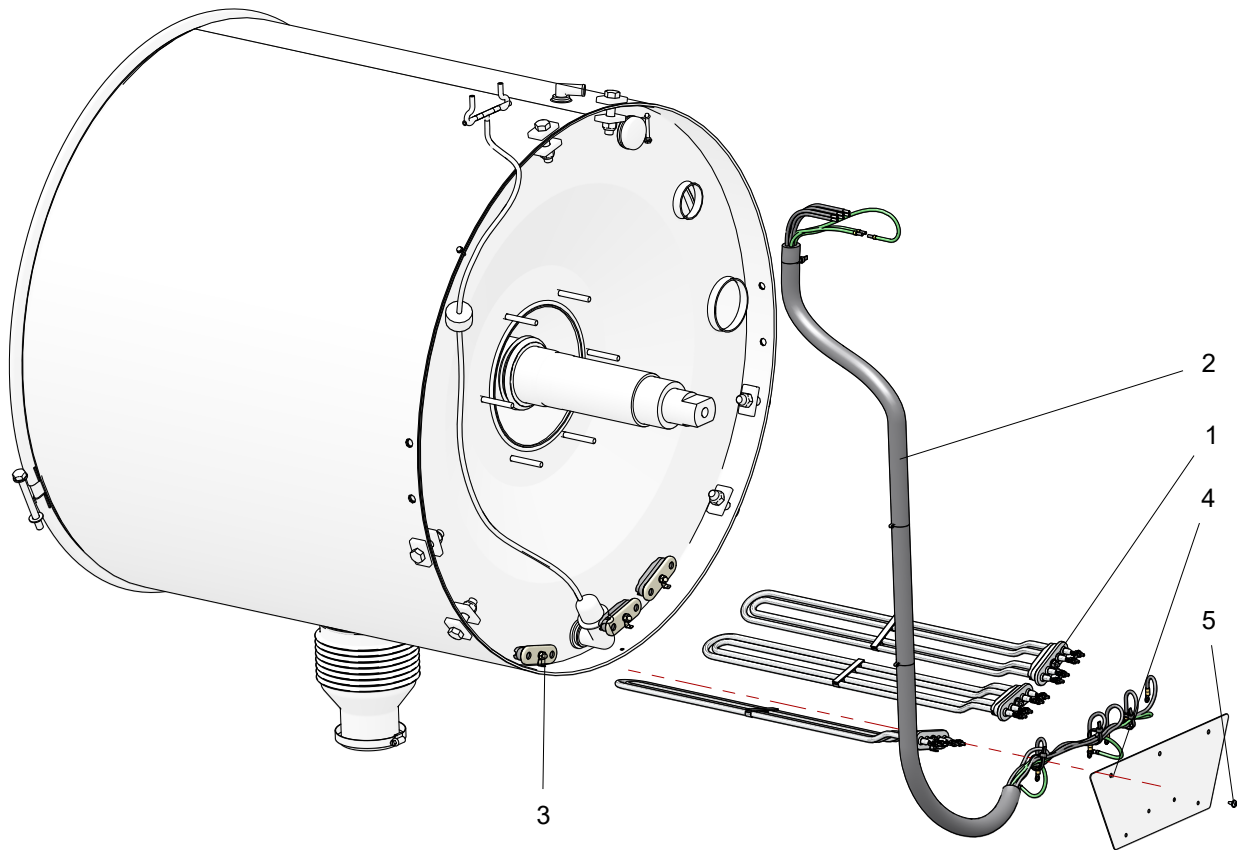
Item No.	Part Number	Part Name	Qty	Remarks
17	140525	CABLE TIE 4.8x188 BLACK	1	
18	323675	CLAMP $\varnothing$ 15,16- $\varnothing$ 16,89	1	
19	10062313	OUTER DRUM MANIFOLD BELLOWS	1	
20	333443	WIRE HOSE CLAMP $\varnothing$ 90x $\varnothing$ 78	1	
21	10062511	BREATHING TUBE	1	
22	159681	O-RING OR NBR70 $\varnothing$ 50x $\varnothing$ 3	1	
23	338871	VAPOR OUTLET RACCORD	1	
24	338863	VAPOR OUTLET GROMMET	1	
25	338897	WIRE CLIP FIM 20202 $\varnothing$ 20,2	2	



# HEATING

## Electric heating assembly - Hot water

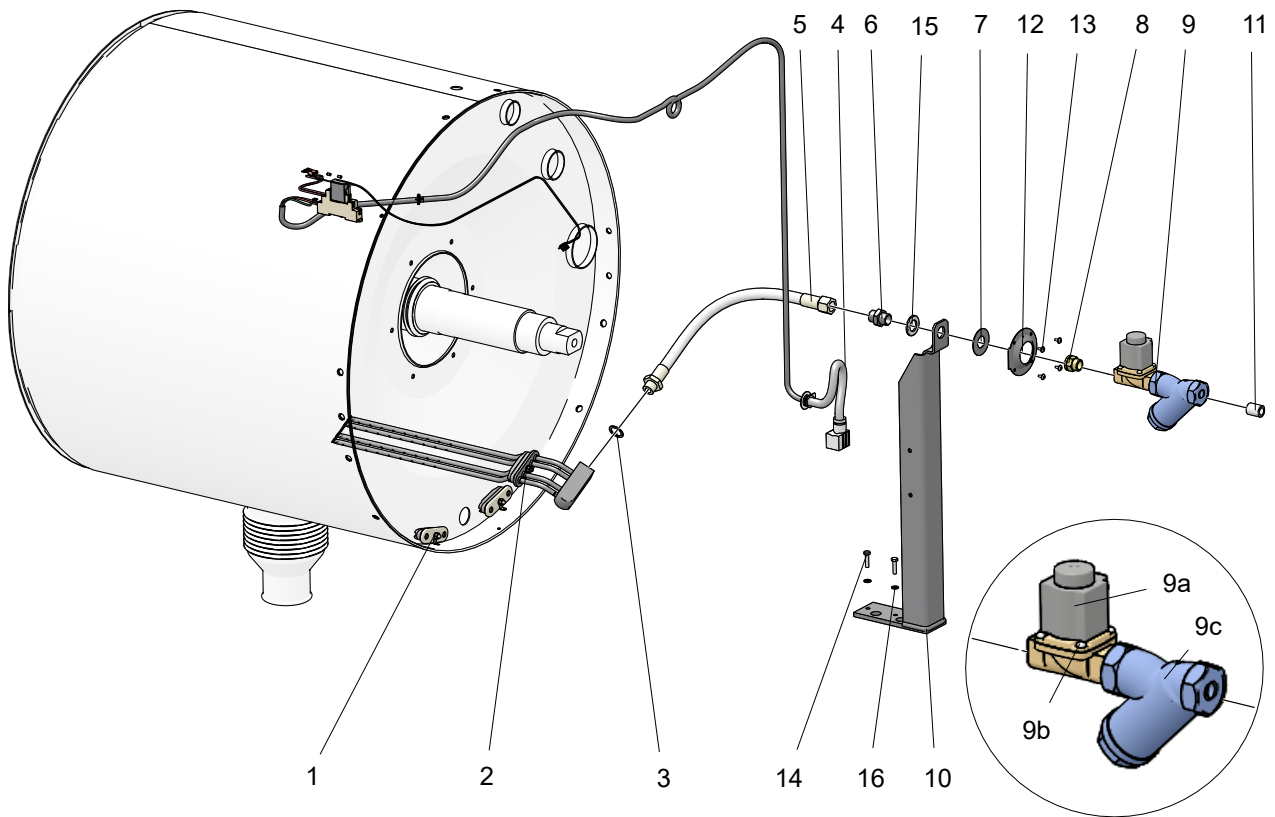
Figure 37



Item No.	Part Number	Part Name	Qty	Remarks
1	10051241	HEATER 240V 6500W	3	(R1, R2, R3)
2	11402039	HEATING ELECTRICAL WIRING	1	[380V - 415V]
2	10210789	HEATING ELECTRICAL WIRING	1	[200V - 240V]
3	121962	HEATER INLET LID	3	[Hot Water Heating]
4	10724607	PROTECTION PLATE	1	
5	183400	PLATE SCREW M4x12 T25	2	
-	14906507	KIT ELECTRIC HEATING 200-240V	1	[200V - 240V]
-	14906523	KIT ELECTRIC HEATING 380-415V	1	[380V - 415V]

## Steam heating assembly

Figure 38



Item No.	Part Number	Part Name	Qty	Remarks
1	121962	HEATER INLET LID	2	
2	108431	STEAM DISTRIBUTOR	1	
3	109777	COPPER GASKET 1/2" 12504	1	
4	10111284	STEAM ELECTRICAL WIRING	1	
5	10029338	STEAM INLET JOINTING	1	
6	156216	JOINTING SCREW 10903 1/2"	1	
7	608364	STEAM PROTECTION SHEET	1	
8	183525	MARSELLA FITTING M-F 1/2" BRASS	1	
9	583401	STEAM GROUP ENTRY 1/2"	1	(Y10)
9a	583385	STEAM VALVE COIL 208-240V 50/60Hz	1	
9b	583369	STEAM VALVE BODY 1/2"	1	
9c	133728	THREAD TYPE Y STRAINER PN16 1/2" 0,3mm	1	
10	10143311	STEAM INLET SUPPORT	1	
11	129999	COUPLING M-M FIG 531 1/2" GALVANIZED	1	[For USA]
12	11576782	WATER STOPPER	1	
13	183400	PLATE SCREW M4x12 T25	4	



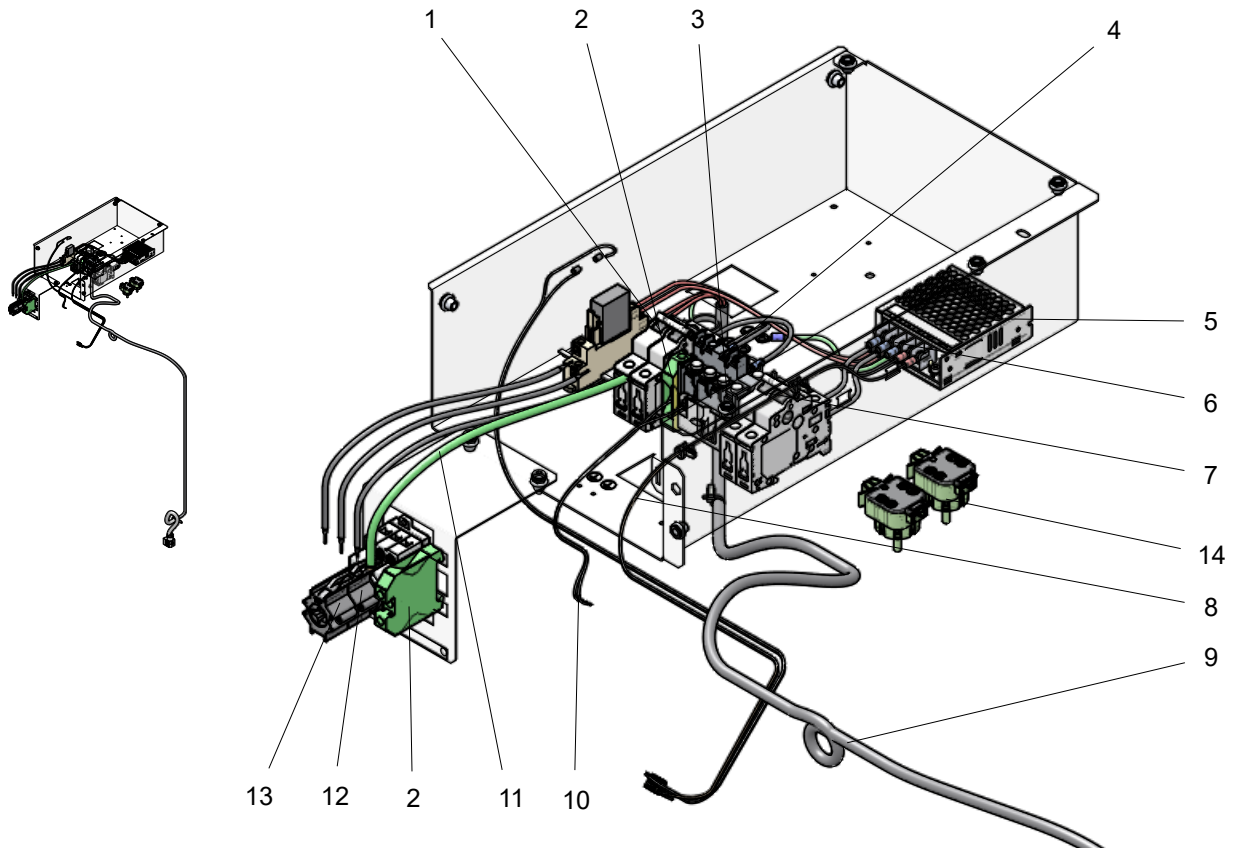
Item No.	Part Number	Part Name	Qty	Remarks
14	192856	HEX SCREW DIN-933 8,8 M6x25 TRIVALENT	2	
15	149427	WASHER DIN 125B M20 TRIVALENT	1	
16	149526	WASHER DIN 125B M6 TRIVALENT	2	
	17495169	ASSY. GS7032 STEAM HEATING CONVERSION	1	



# ELECTRICAL WIRING

## Single phase junction box assembly

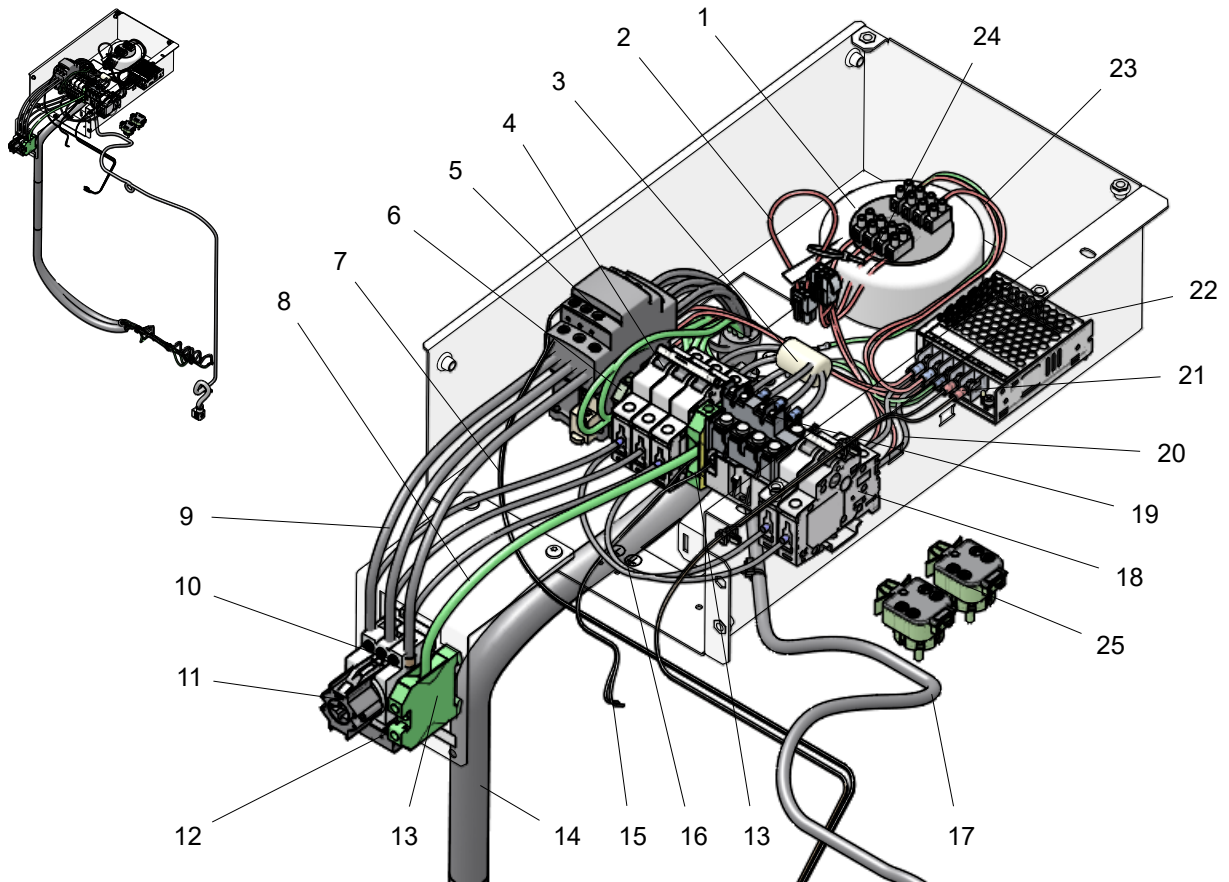
Figure 39



Item No.	Part Number	Part Name	Qty	Remarks
1	13880489	AUTOMATIC SWITCH 16A CURVE D 2 POLES	1	
2	601781	GROUND TERMINAL WPE 10	2	
3	357921	RELAY 3PH 12V DC	1	
4	11008174	F2 KA1 ELECTRICAL WIRING	1	
5	647198	POWER SUPPLY 85-264VAC /12VDC 50W	1	
6	10085249	F1-2 A3 ELECTRICAL WIRING	1	
7	10311033	AUTOMATIC SWITCH 1A CURVE D 2 POLES	1	
8	11396751	A3 A4-X26 ELECTRICAL WIRING	1	
9	10111284	STEAM ELECTRICAL WIRING	1	[Steam]
10	10203792	A4-X11 KM1-A1 ELECTRICAL WIRING	1	
11	11354867	Q1 F2 ELECTRICAL WIRING	1	
12	10101442	SECTION SWITCH 16A	1	
13	10248870	SHAFT EXTENSION	2	
14	10240521	PRESSURE SENSOR	2	

### Three phase junction box assembly

Figure 40



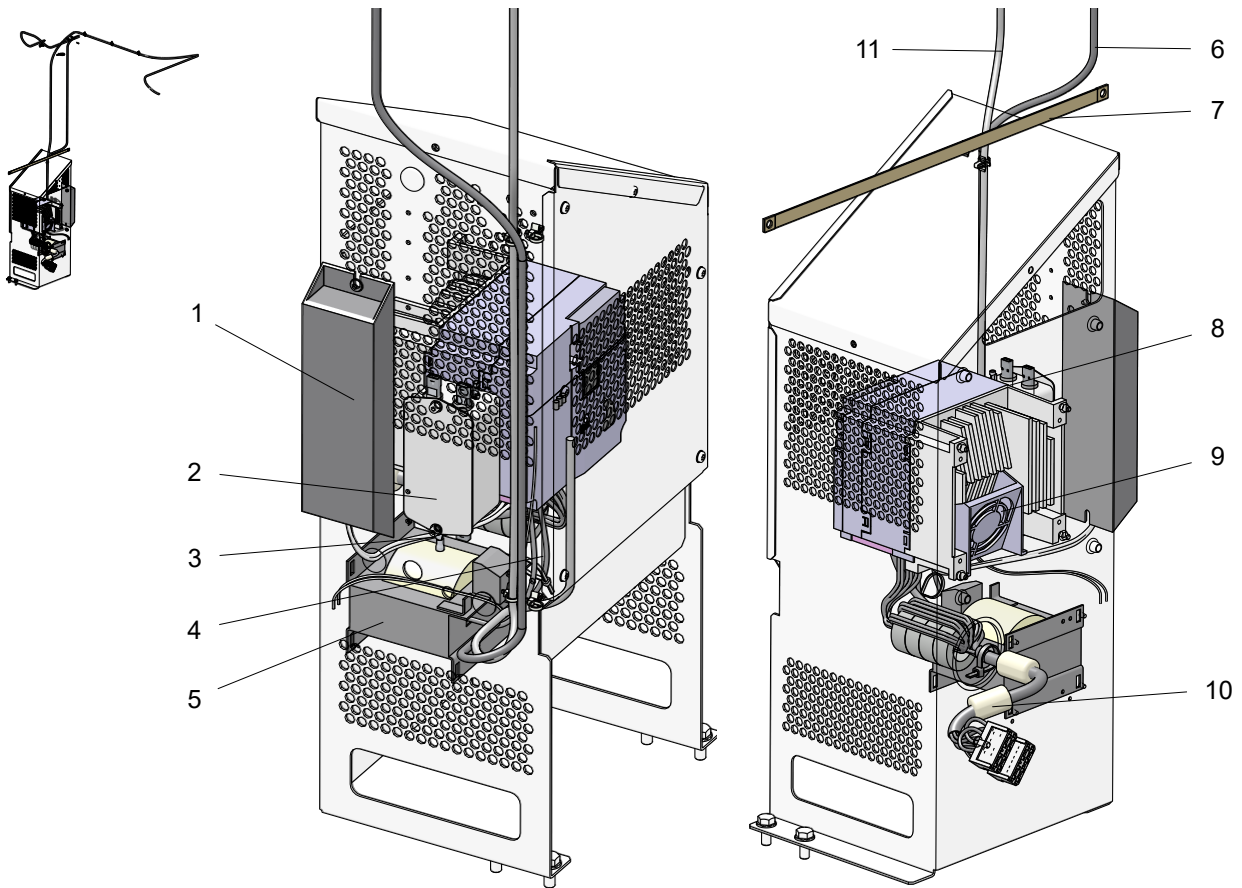
Item No.	Part Number	Part Name	Qty	Remarks
1	10141133	TRANSFORMER 100VA 2x115V	1	[Steam 380V-480V] [Hot water 380V-480V] [Electrical 440V-480V 380V-415V]
2	10278224	VOLTAGE CONNECTOR 380V	1	[Steam 380V-480V] [Hot water 380V-480V] [Electrical 380V-415V]
2	10279081	VOLTAGE CONNECTOR 400V-415V-440V	1	[Steam 380V-480V] [Hot water 380V-480V] [Electrical 440V-480V 380V-415V]
2	10279719	VOLTAGE CONNECTOR 460V-480V	1	[Steam 380V-480V] [Hot water 380V-480V] [Electrical 440-V480V]
3	11365178	F2 KA1 ELECTRICAL WIRING	1	
4	10311124	AUTOMATIC SWITCH 10A CURVE D 3 POLES	1	[200V-240V]
4	10395069	AUTOMATIC SWITCH 16A CURVE D 3 POLES	1	[Steam 380V-480V] [Hot water 380V-480V] [Electrical 440V-480V 380V-415V]
5	647255	CONTACTOR 12VDC 32 A	1	[Electrical]
6	312306	GROUND TERMINAL WPE 6	2	[Electrical]
7	10114890	A4-X19 KM1 ELECTRICAL WIRING	1	[Electrical]
8	11354867	Q1 F2 ELECTRICAL WIRING	1	



Item No.	Part Number	Part Name	Qty	Remarks
9	11359668	Q1 KM1 ELECTRICAL WIRING	1	[Electrical]
10	10101442	SECTION SWITCH 16A	1	[Steam] [Hot water]
10	10118891	SECTION SWITCH 63A	1	[Electrical]
11	10248870	SHAFT EXTENSION	1	(Qty =1 [Electrical]) (Qty=2 [Steam]) (Qty=2 [Hot water])
12	10390862	TERMINAL COVER 16A 3P	1	[Steam] [Hot water]
12	10394781	TERMINAL COVER 63A 3P	1	[Electrical]
13	601781	GROUND TERMINAL WPE 10	2	
14	10210789	HEATING ELECTRICAL WIRING	1	[Electrical 200V-240V]
14	11402039	HEATING ELECTRICAL WIRING	1	[Electrical 380V-415V]
15	10203792	A4-X11 KM1-A1 ELECTRICAL WIRING	1	
16	11359791	F2 F1 ELECTRICAL WIRING	1	
17	10111284	STEAM ELECTRICAL WIRING	1	[Steam]
18	10311033	AUTOMATIC SWITCH 1A CURVE D 2 POLES	1	
19	357921	RELAY 3PH 12V DC	1	
20	10085249	F1-2 A3 ELECTRICAL WIRING	1	[200V-240V]
21	11396751	A3 A4-X26 ELECTRICAL WIRING	1	
22	647198	POWER SUPPLY 85-264VAC /12VDC 50W	1	
23	11401056	T1-A3 ELECTRICAL WIRING	1	[Steam 380V-480V] [Hot water 380V-480V] [Electrical 440V-480V 380V-415V]
24	10037471	F1 - T1 ELECTRICAL WIRING	1	[Steam 380V-480V] [Hot water 380V-480V] [Electrical 440V-480V 380V-415V]
25	10240521	PRESSURE SENSOR	2	

## Single phase inverter assembly

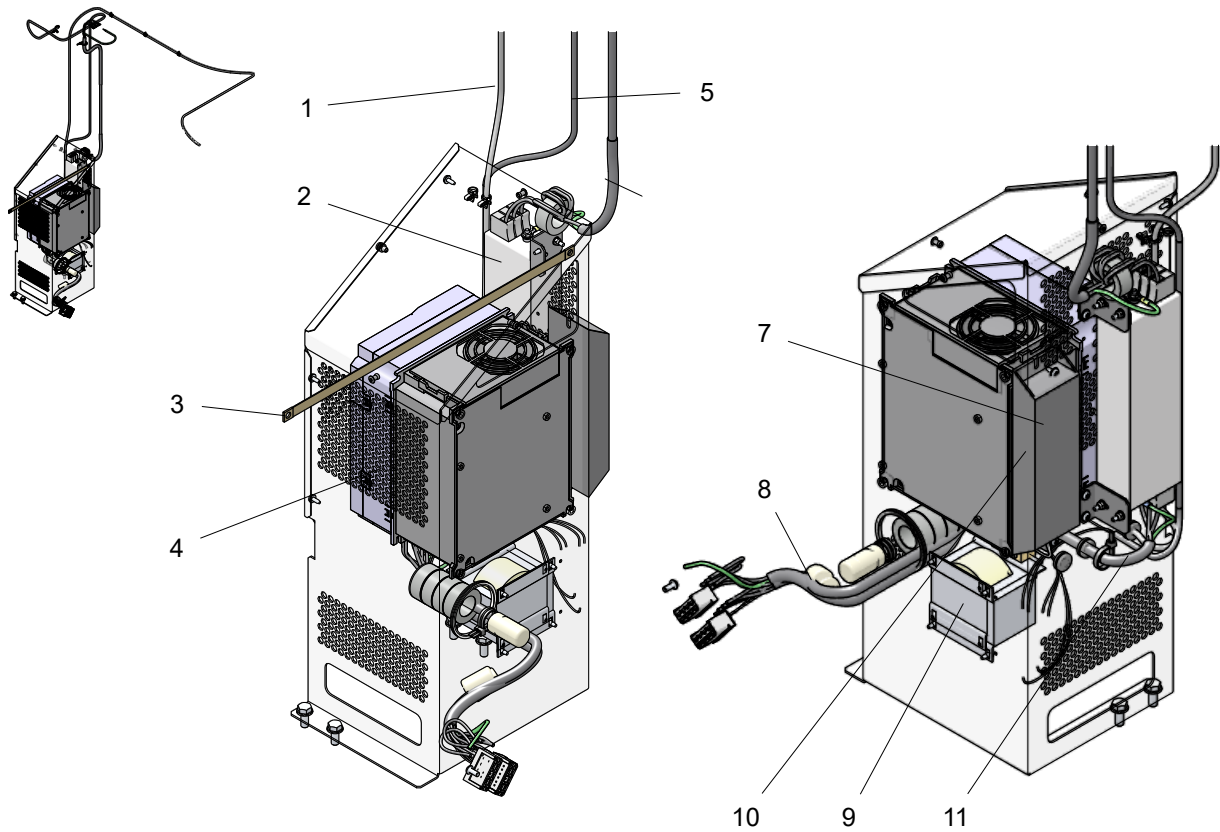
Figure 41



Item No.	Part Number	Part Name	Qty	Remarks
1	14300222	R4 - U1 ELECTRICAL WIRING	1	
2	569442	EMC 16A FILTER	1	
3	10188738	Z1-U1 ELECTRICAL WIRING	1	
4	10025013	INDUCTANCE CABLES	1	
5	320978	INDUCTANCE 4MH 15A CSA	1	
6	10297117	A4-X10 ELECTRICAL WIRING	1	
7	323832	BRAID MASS CS 6-430/010/07	1	
8	10139053	KA1-Z1 ELECTRICAL WIRING	1	
9	10036598	FREQUENCY INVERTER ACE 5,5 kW 200-240V 3ph	1	
10	10074706	MOTOR ELECTRICAL WIRING	1	
11	10908291	COMMUNICATION ELECTRICAL WIRING	1	

### Three phase inverter assembly

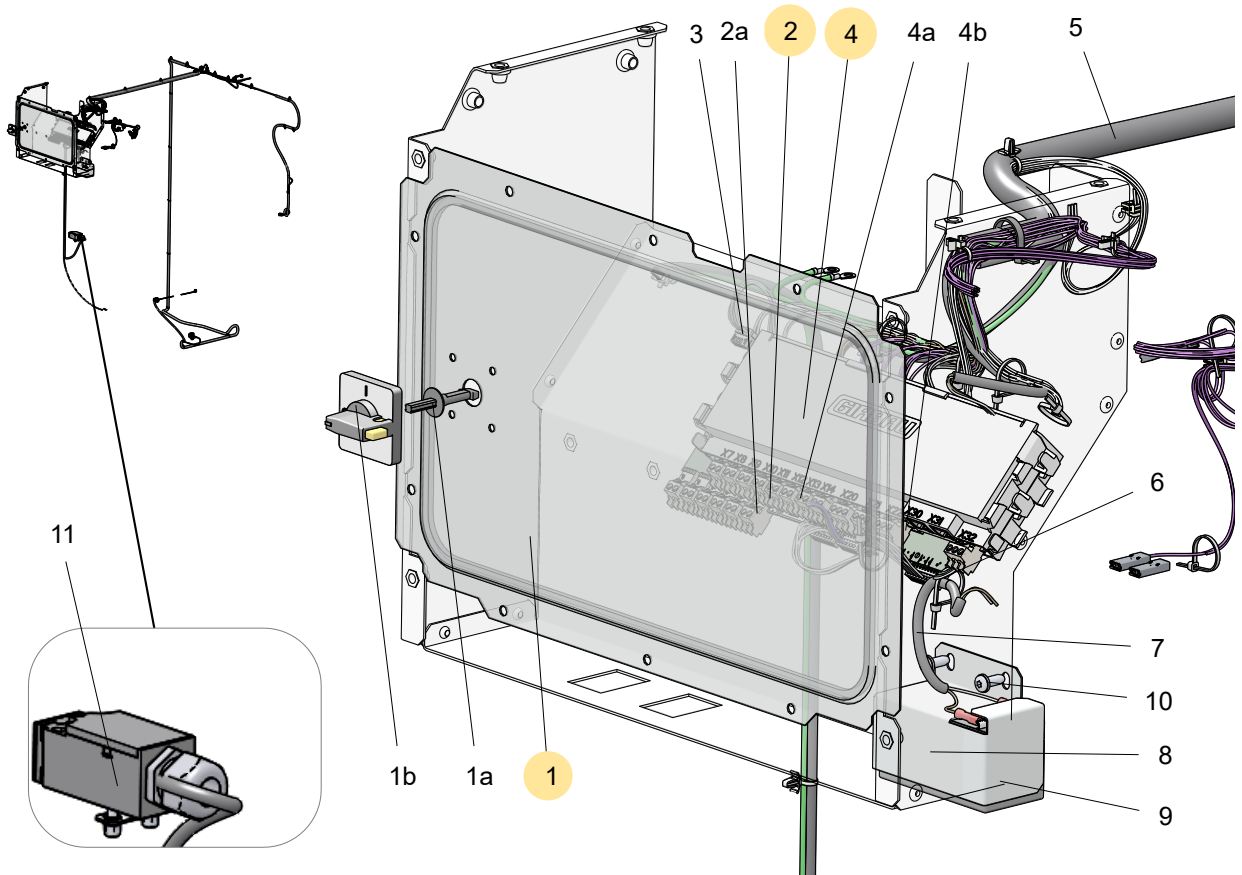
Figure 42



Item No.	Part Number	Part Name	Qty	Remarks
1	10908291	COMMUNICATION ELECTRICAL WIRING	1	
2	10530988	FILTER EMC 16A	1	
3	323832	BRAID MASS CS 6-430/010/07	1	
4	10036598	FREQUENCY INVERTER ACE 5,5 kW 200-240V 3ph	1	[200V-240V]
4	10866838	FREQUENCY INVERTER ACE 5,5 kW 380-480V 3ph	1	[380V-480V]
5	10297117	A4-X10 ELECTRICAL WIRING	1	
6	10023893	KA1-Z1 ELECTRICAL WIRING	1	
7	14300222	R4 - U1 ELECTRICAL WIRING	1	[200V-240V]
7	14300388	R4 - U1 ELECTRICAL WIRING	1	[380V-480V]
8	10074706	MOTOR ELECTRICAL WIRING	1	[200V-240V]
8	10063980	MOTOR ELECTRICAL WIRING	1	[380V-480V]
9	318808	INDUCTANCE 7.4-9.2MH 8A CSA	1	[380V-480V]
9	320978	INDUCTANCE 4MH 15A CSA	1	[200V-240V]
10	10025013	INDUCTANCE CABLES	1	
11	10531390	Z1 - U1 ELECTRICAL WIRING	1	

# Control junction box assembly

Figure 43



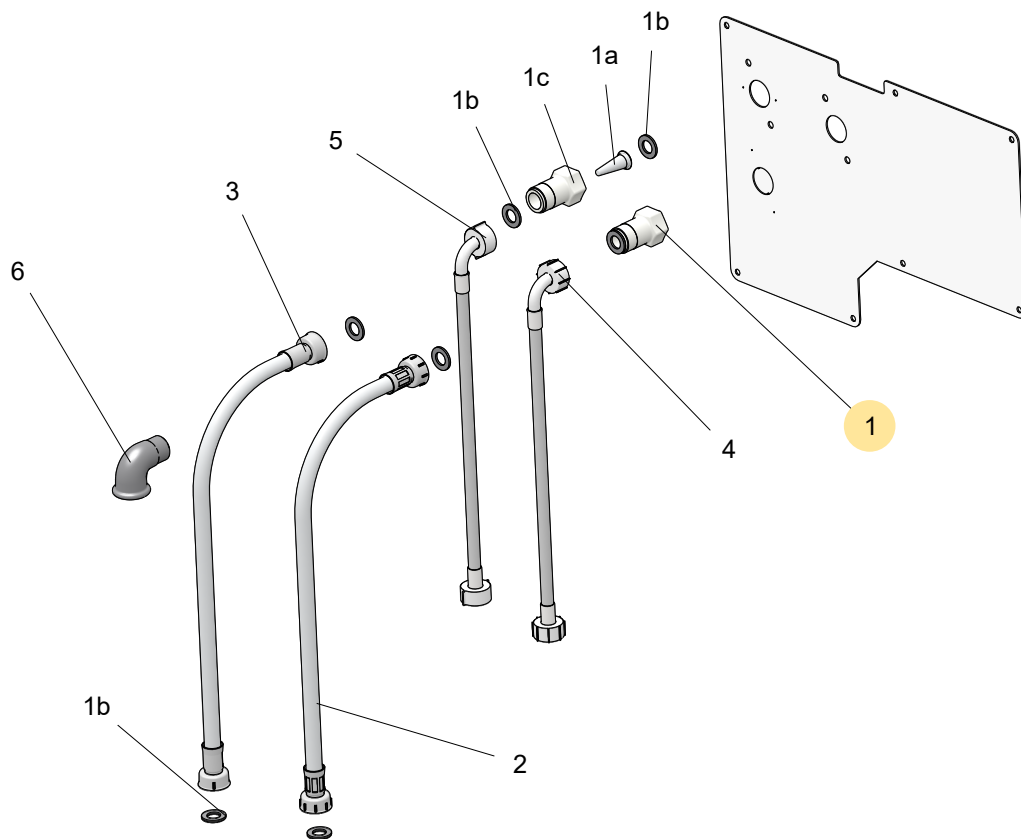
Item No.	Part Number	Part Name	Qty	Remarks
1	10621555	BOX COVER	1	
1a	10198653	INTERLOCK SHAFT 52 METAL	1	
1b	10095610	SWITCH HANDLE	1	
2	647164	IO-W1 BOARD	1	
2a	10001337	CONECTOR IDC RAST-SCREW-5 2V	1	
3	10485563	A4-X8 A5-X1 ELECTRICAL WIRING	1	
4	647172	EM-1 BOARD	1	
4a	10001337	CONECTOR IDC RAST-SCREW-5 2V	1	
4b	10001675	CONNECTOR IDC RAST-SCREW-5 3V	1	
5	10040921	ELECTRICAL WIRING	1	
6	10504678	A4-X18 ELECTRICAL WIRING	1	
7	10062271	A4-X27 G1 ELECTRICAL WIRING	1	
8	10837649	SUPPORT	1	[Battery]
9	16399396	BATTERY 12V 1.2-1.3Ah (ALT)	1	[Battery]
10	333294	SCREW T25 AR.18ESTR.M 6X15 INOX	2	
11	10347516	10347516-HS7028	1	



## ADDITIONAL PARTS

## Water inlet hoses assembly

Figure 44



Item No.	Part Number	Part Name	Qty	Remarks
1	11004967	ASSY. WATER INLET PIPE FILTER	2/3	[For 2/3 water inputs option]
1	11004975	ASSY. WATER INLET PIPE FILTER USA	2/3	[For 2/3 water inputs option] (ETL)
1a	315614	CONICAL FILTER REF 4008-2-1	1	
1b	114348	GASKET MIFLEX $\varnothing 24 \times \varnothing 13.5 \times 2$	2	
1c	315309	FILTER BODY	1	[ETL]
1c	315317	FILTER BODY	1	
2	326579	WATER INLET HOSE AF DN13 L1,5M	1	
3	326587	WATER INLET HOSE AC DN13 L1,5M	1/2	[For 2/3 water inputs option]
4	10391126	WATER INLET HOSE AF $\varnothing 10$ MM L1,5M	1	[WRAS]
5	10391134	WATER INLET HOSE AC $\varnothing 10$ MM L1,5M	1	[WRAS]
6	129502	ELBOW FIG. 92 3/4" GALV.	1	