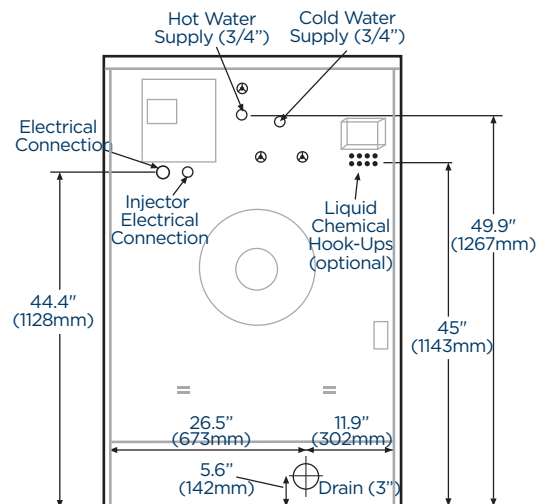
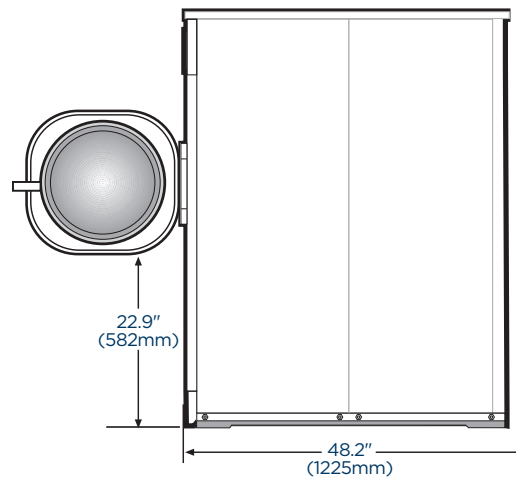
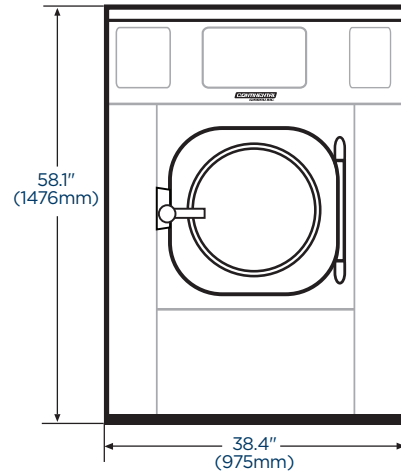


EHO60

ON-PREMISE E-SERIES SOFT-MOUNT WASHER-EXTRACTOR

Capacity <i>lbs</i>	60
Cylinder Diameter <i>inch</i>	30.5
Cylinder Depth <i>inch</i>	20.5
Cylinder Volume <i>cu ft</i>	8.4
Net Weight <i>lbs</i>	1289
Crated Weight <i>lbs</i>	1338
Machine Dimensions <i>inch</i> WxDxH	38.4 x 48.2 x 58.1
Door Opening <i>inch</i>	16.8
Floor to Door <i>inch</i>	22.9
Shipping Dimensions <i>inch</i> WxDxH	39.4 x 49.6 x 64.2
Washing Speed <i>rpm</i> Logi Control Inteli Control	42 22/27/36/42
Spin Speeds <i>rpm</i>	42/86/350/550/725/966
G-force	0.75/3.2/52/129/224/400
Static Force Transmitted <i>lbs</i>	1528
Dynamic Force Transmitted <i>lbs</i>	291
Frequency of Dynamic Force <i>Hz</i>	16.1
Available Voltages / Wire Conductor / Amp	
Hot Water (standard)	208-240/60/1, 2W+G, 15
Hot Water (standard)	208-240/60/3, 3W+G, 15
Electric Auxiliary Heat (optional)	208/60/3, 3W+G, 50
Electric Auxiliary Heat (optional)	240/60/3, 3W+G, 60
Steam Auxiliary Heat (optional)	208-240/60/1 2W+G, 15
Steam Auxiliary Heat (optional)	208-240/60/3, 3W+G, 15
Drain Diameter <i>inch</i>	3
Water Inlets <i>inch</i>	2 @ 3/4
Recommended Water Pressure <i>PSI</i>	30-60
Water Flow <i>gal/min</i>	16
Steam Connection <i>inch</i>	1/2
Steam Pressure (optional) <i>PSI</i>	29-87
Steam Flow (optional) <i>lbs/h</i>	176
Total Power <i>kW</i>	1.88
Electrical Heating Power (optional) <i>kW</i>	20.3



Specifications subject to change without notice or obligation.
Contact Continental Laundry Solutions at (800) 256-1073 for dimensions not shown or for clarification.